

Milwaukee®

Nothing but **HEAVY DUTY**®.



M18 BLHPT

Original instructions

Originalbetriebsanleitung

Notice originale

Istruzioni originali

Manual original

Oorspronkelijke gebruiksaanwijzing

Original brugsanvisning

Original bruksanvisning

Bruksanvisning i original

Alkuperäiset ohjeet

Πρωτότυπο οδηγιών χρήσης

Orijinal işletme talimatı

Původním návodem k

používání

Pôvodný návod na použitie

Instrukcją oryginalną

Eredeti használati utasítás

Izvirna navodila

Originalne pogonske upute

Instrukcijām oriģinālvadōā

Originali instrukcija

Algupärane kasutusjuhend

Оригинальное руководство по эксплуатации

Оригинално ръководство за експлоатация

Instrucțiuni de folosire originale

Оригинален прирачник за работа

Оригінал інструкції з експлуатації

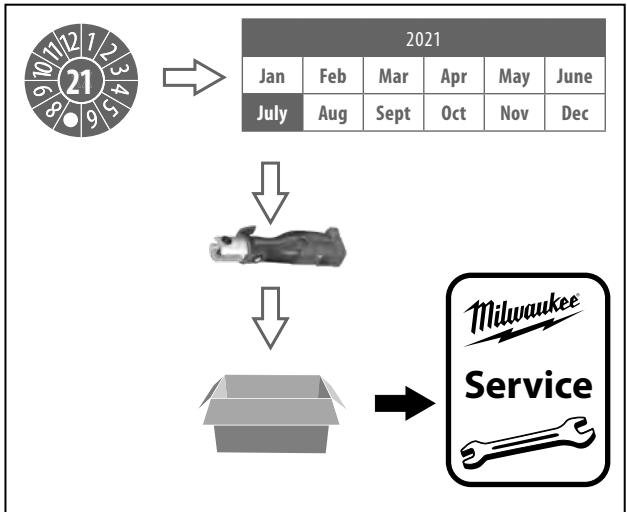
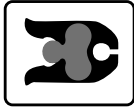
التعليمات الأصلية

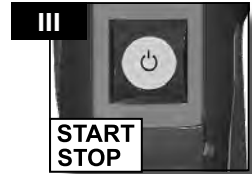
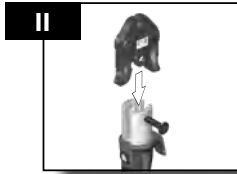
Technical Data, Safety Instructions, Specified Conditions of Use, EC-Declaration of Conformity, Batteries, Maintenance, Symbols	Please read and save these instructions!	English	12
Technische Daten, Sicherheitshinweise, Bestimmungsgemäße Verwendung, CE-Konformitätserklärung, Akku, Wartung, Symbole	Bitte lesen und aufbewahren!	Deutsch	14
Caractéristiques techniques, Instructions de sécurité, Utilisation conforme aux prescriptions, Déclaration CE de Conformité, Accus, Entretien, Symboles	A lire et à conserver soigneusement	Français	16
Dati tecnici, Norme di sicurezza, Utilizzo conforme, Dichiarazione di Conformità CE, Batterie, Manutenzione, Simboli	Si prega di leggere e conservare le istruzioni!	Italiano	18
Datos técnicos, Instrucciones de seguridad, Aplicación de acuerdo a la finalidad, Declaración de Conformidad CE, Batería, Mantenimiento, Símbolos	Lea y conserve estas instrucciones por favor!	Español	20
Características técnicas, Instruções de segurança, Utilização autorizada, Declaração de Conformidade CE, Acumulador, Manutenção, Símbolo	Por favor leia e conserve em seu poder!	Português	22
Technische gegevens, Veiligheidsadviezen, Voorgeschreven gebruik van het systeem, EC-Konformiteitsverklaring, Akku, Onderhoud, Symbolen	Lees en let goed op deze adviezen!	Nederlands	24
Tekniske data, Sikkerhedshenvisninger, Tiltænk formål, CE-Konformitetserklæring, Batteri, Vedligeholdelse, Symboler	Vær venlig at læse og opbevare!	Dansk	26
Tekniske data, Spesielle sikkerhetshenvisninger, Formålsmessig bruk, CE-Samsvarserklæring, Batterier, Vedlikehold, Symboler	Vennligst les og oppbevar!	Norsk	28
Tekniska data, Säkerhetsutrustning, Använd maskinen Enligt anvisningarna, CEFörsäkran, Batterier, Skötsel, Symboler	Läs igenom och spara!	Svenska	30
Tekniset arvot, Turvallisuusohjeet, Tarkoituksenmukainen käyttö, Todistus CE-standardinmukaisuudesta, Akku, Huolto, Symbolit	Lue ja säilytä!	Suomi	32
Τεχνικά στοιχεία, Ειδικές υποδείξεις ασφαλείας, Χρήση σύμφωνα με το σκοπό προοριζομένου, Δήλωση πιστότητας ΕΚ, Μπαταρίες, Χαρακτηριστικά, Συντήρηση, Σύμβολα.	Παρακαλώ διαβάστε τις και φυλάξτε τις!	Ελληνικά	34
Teknik veriler, Güvenliğinizi için talimatlar, Kullanım, CE uygunluk beyanince, Akü, Bakım, Semboller	Lütfen okuyun ve saklayın	Türkçe	37
Technická data, Speciální bezpečnostní upozornění, Oblast využití, Ce-prohlášení o shodě, Akumulátory, Údržba, Symboly	Po přečtení uschovejte	Česky	39
Technické údaje, Špeciálne bezpečnostné pokyny, Použitie podľa a predpisov, CE-Vyhľadanie konformity, Sieťová prípojka, Údržba, Symboly	Prosím prečítať a uschovať!	Slovensky	41
Dane techniczne, Specjalne zalecenia dotyczace bezpieczenstwa, Uzytkowanie zgodne z przeznaczeniem, Swiadectwo zgodnosci ce, Podlaczenie do sieci, Gwarancja, Symbole	Należy uważnie przeczytać i zachować do wglądu!	Polski	43
Műszaki adatok, Különleges biztonsági tudnivalók, Rendeltetésszerű használat, Ce-azonossági nyilatkozat, Hálózati csatlakoztatás, Karbantartás, Szimbólumok	Olvassa el és őrizze meg	Magyar	46
Tehnični podatki, Specialni varnostni napotki, Uporaba v skladu z namembnostjo, Ce-izjava o konformnosti, Omežni priključek, Vzdrževanje, Simboli	Prosimo preberite in shranite!	Slovensko	48
Tehnički podaci, Specijalne sigurnosne upute, Propisna upotreba, Ce-Izjava konformnosti, Priključak na mrežu, Održavanje, Simboli	Molimo pročitati i sačuvati	Hrvatski	50
Tehniskie dati, Speciālie drošības noteikumi, Noteikumiem atbilstošs izmantojums, Atbilstība CE normām, Tikla pieslēgums, Apkope, Simboli	Pielikums lietošanas pamācībai	Latviski	52
Techniniai duomenys, Ypatingos saugumo nuorodos, Naudojimas pagal paskirti, CE Atitikties pareiškimas, Elektros tinklo jungtis, Techninis aptarnavimas, Simboliai	Prašome perskaityti ir neišmesti!	Lietuviškai	54
Tehnilised andmed, Spetsiaalsed turvajuhised, Kasutamine vastavalt otstarbele, EÜ Vastavusavaldus, Võrku ühendamine, Hooldus, Sümbolid	Palun lugege läbi ja hoidke alal!	Eesti	56
Технические данные, Рекомендации по технике безопасности, Использо- вание, Подключение к электросети, Обслуживание, Символы	Пожалуйста прочтите и сохраните эту инструкцию.	Русский	58
Технически данни, Специални указания за безопасност, Използване по предназначение, CE-Декларация за съответствие, Свързване към мрежата, Поддръжка, Символи	Моля прочетете и запазете!	Български	61
Date tehnice, Instrucțiuni de securitate, Condiții de utilizare specificate, Declarație de conformitate, Acumulatori, Întreținere, Simboluri	Va rugăm citiți și păstrați aceste instrucțiuni	Română	64
Технички Податоци, Упатство За Употреба, Специфицирани Услови На Употреба, Еу-декларација За Сообразност, БАТЕРИИ, Одржување, Символи	Ве молиме прочитајте го и чувајте го ова упатство!	Македонски	66
Технічні характеристики, Вказівки З Техніки Безпеки, Використання за призначенням, Сертифікат Відповідності Вимогам Єс, Акумулятори, Обслуговування, Символи	Прочитайте та збережіть цю інструкцію.	Українська	69
تعليمات السلامة، شروط الاستخدام المعهدة، البطاريات، إعلان المطابقة - الاتحاد الأوروبي، الصيانة، الرموز	يرجى قراءة وحفظ هذه التعليمات!	العربية	73





M18





 Accessory
Zubehör
Accessoires
Accessorio

Accessorio • Acessório
Toebehoren • Tilbehør
Tilbehør • Tillbehör
Lisälaite • Εξαρτήματα
Aksesuar • Pīnslušenstviņ
Prisluženstviņ • Wyposażenie
Azokat a tartozékokat
Oprema • Piederumi
Priedas • Tarvikud
Дополнитель • Аксессуары
Accessoriū • ополнительна
опрема • Комплектуючи
الملحق





 click 








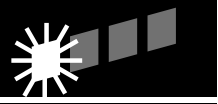




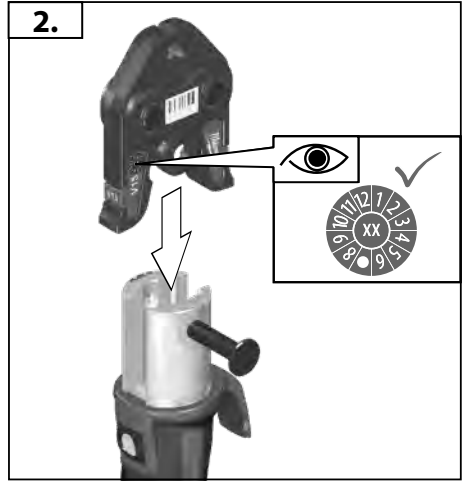
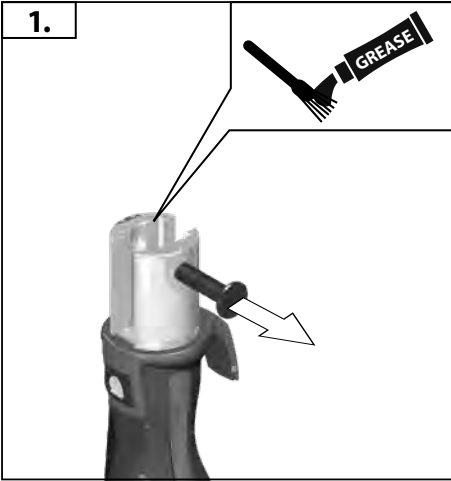
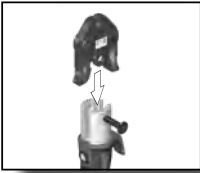
 unlock



 TIP



78-100 %		
55-77 %		
33-54 %		
10-32 %		
<10 %		

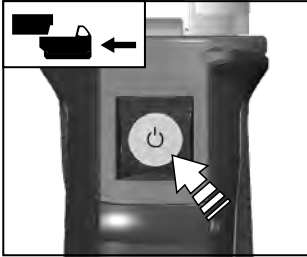


II





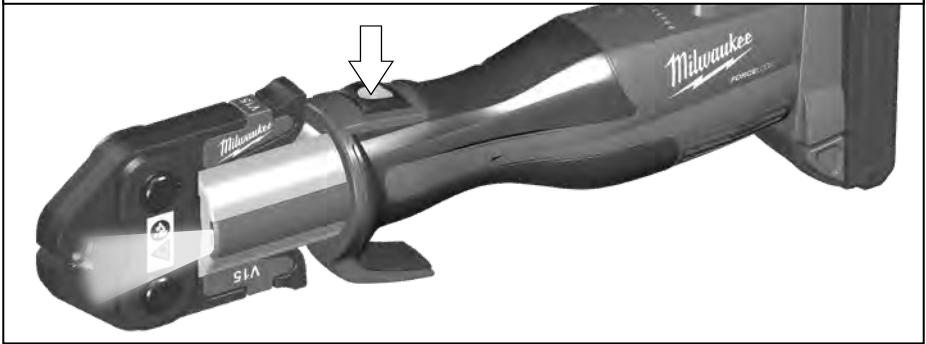
**START
STOP**



3 sec Auto Start



Auto Stop

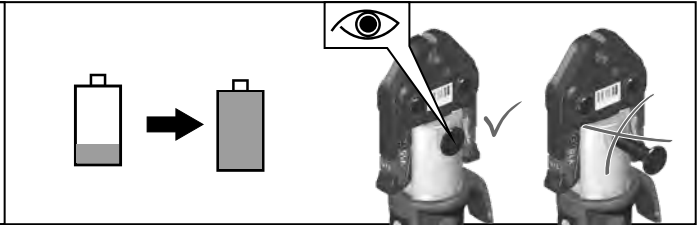
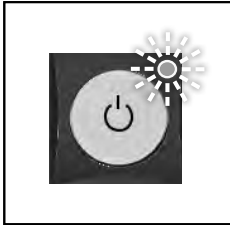


Stop

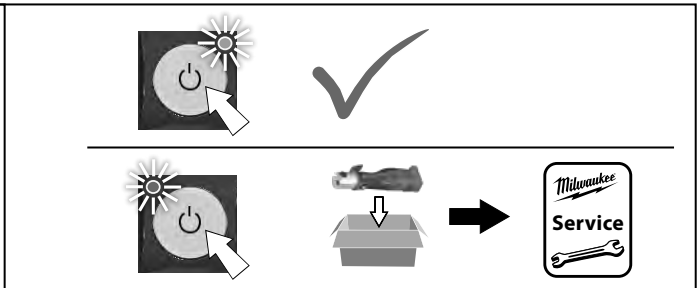
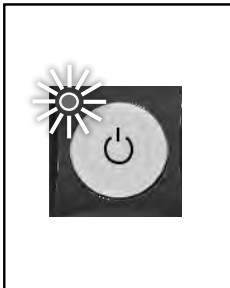
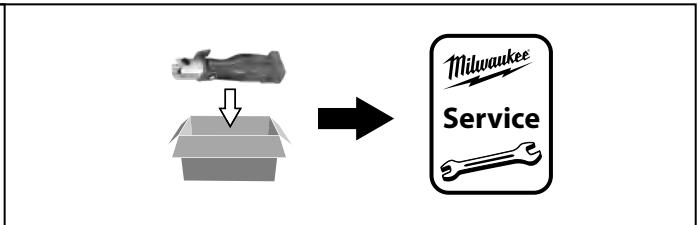
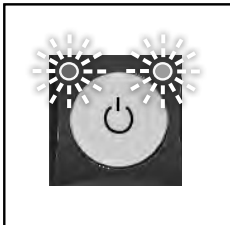
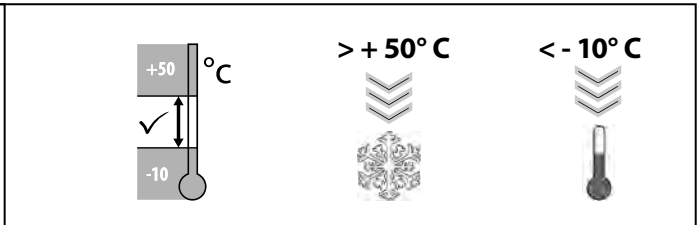
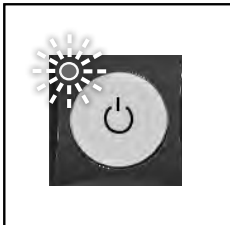


15 sec





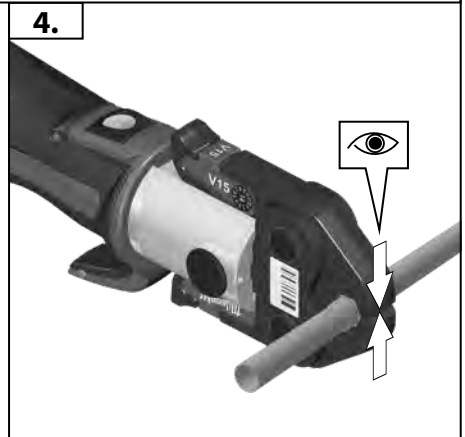
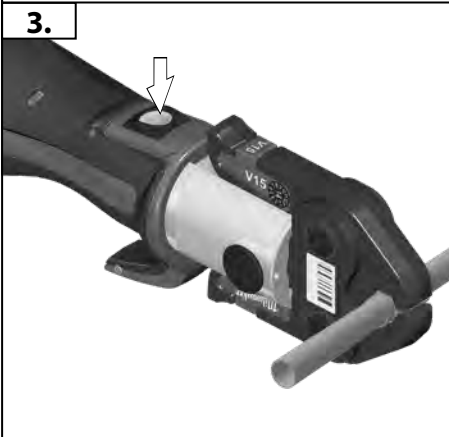
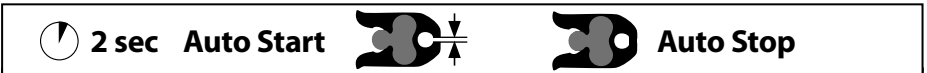
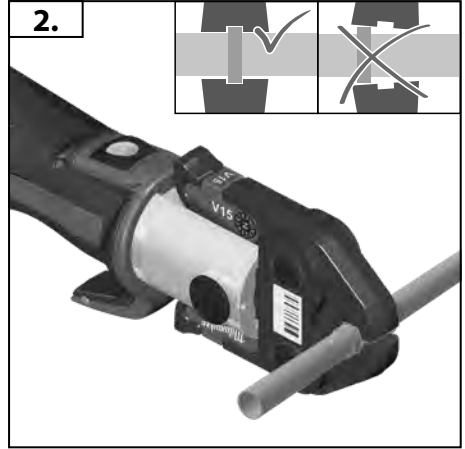
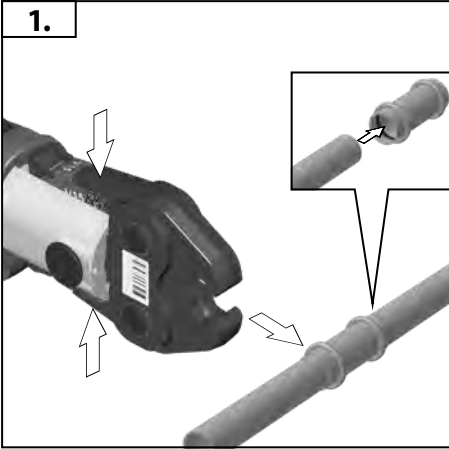
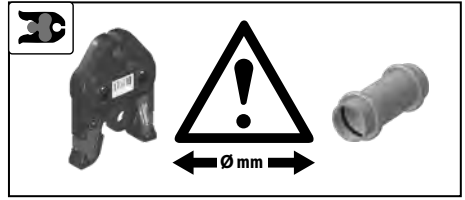
START
STOP





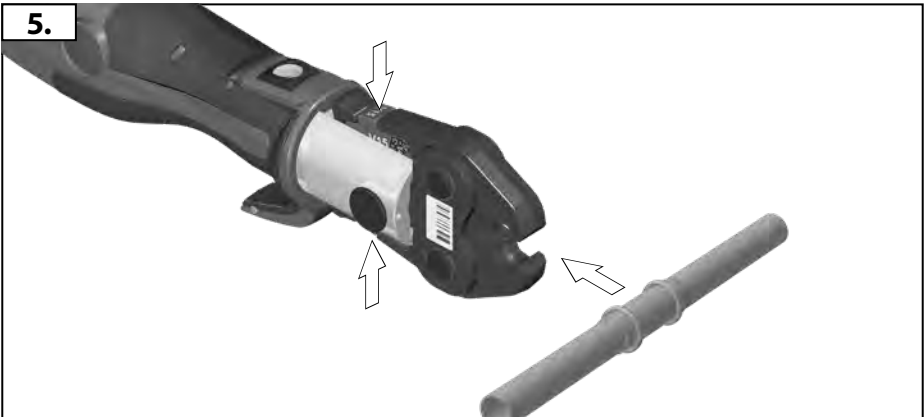
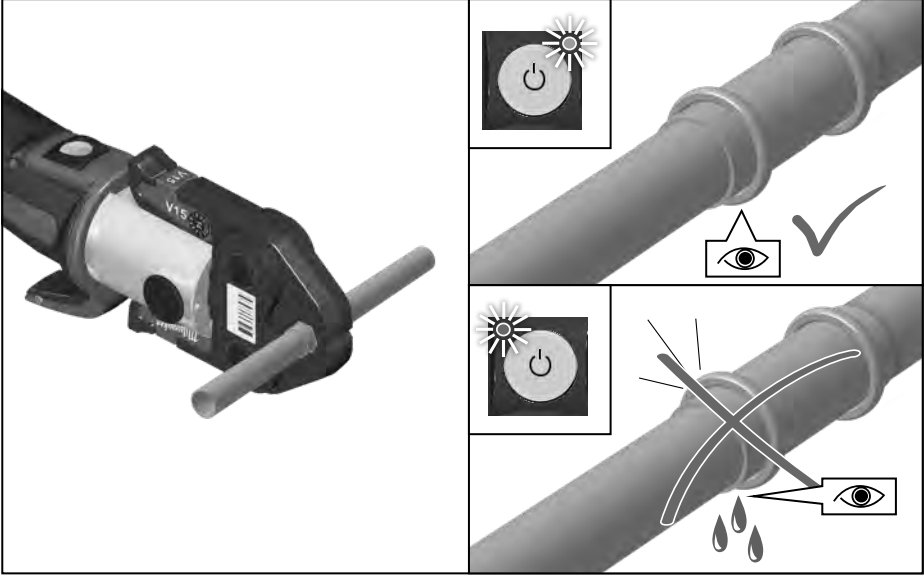
**START
STOP**

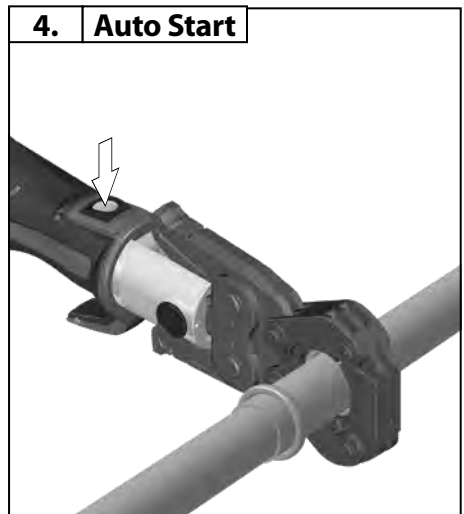
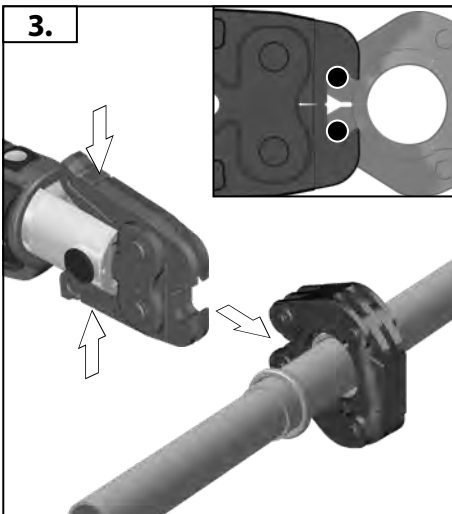
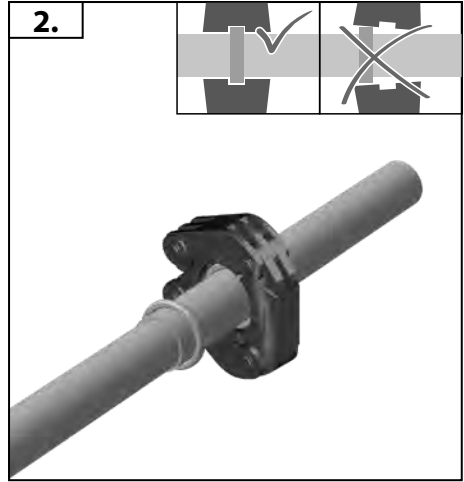
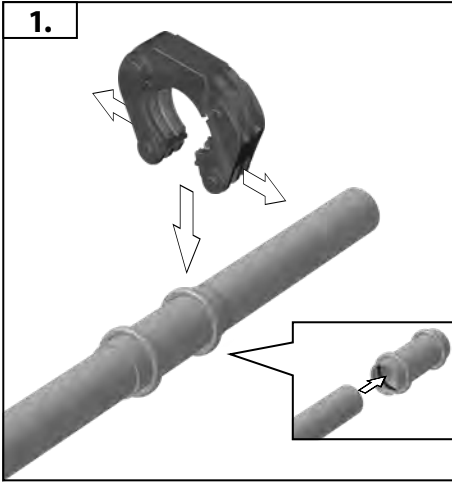






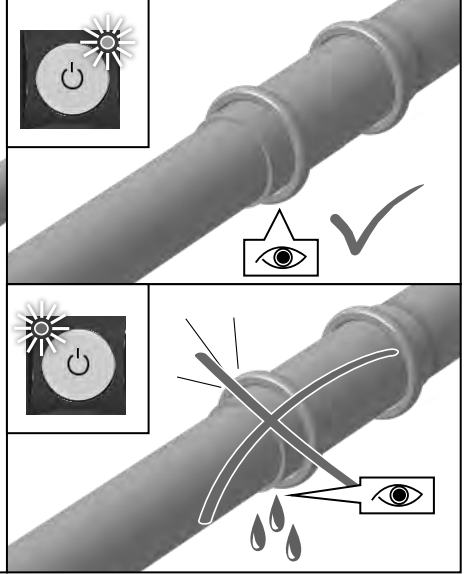
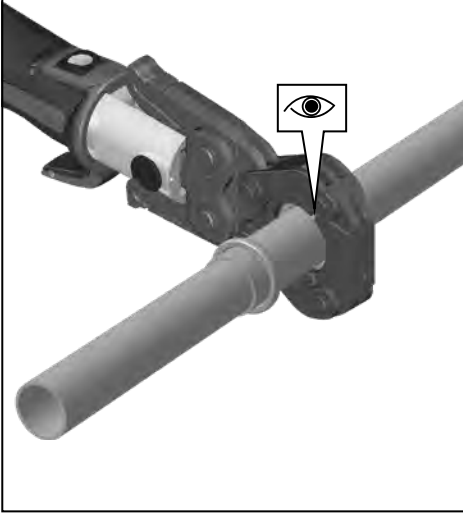
IV



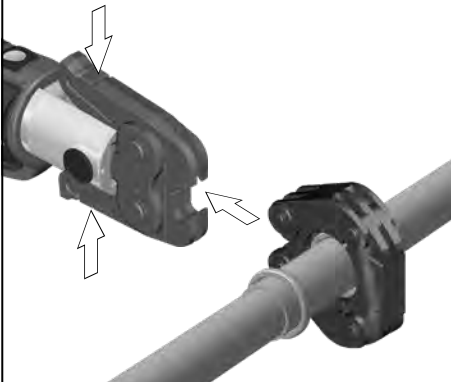




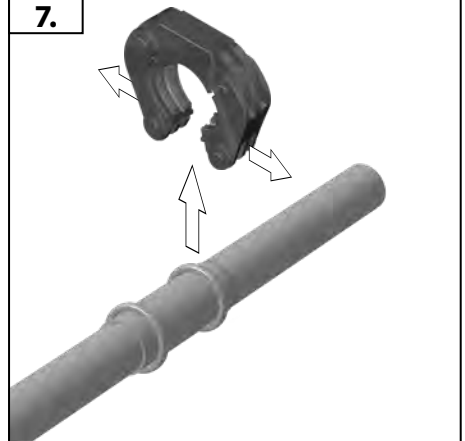
5. Auto Stop

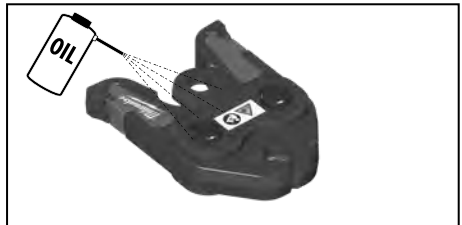
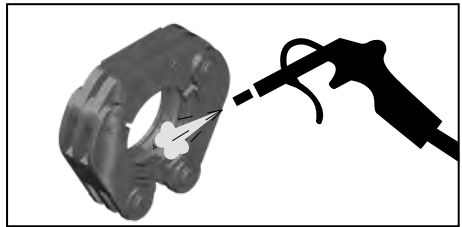
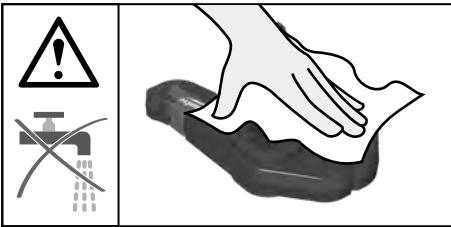
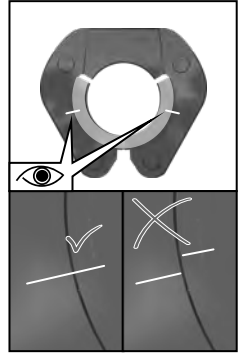
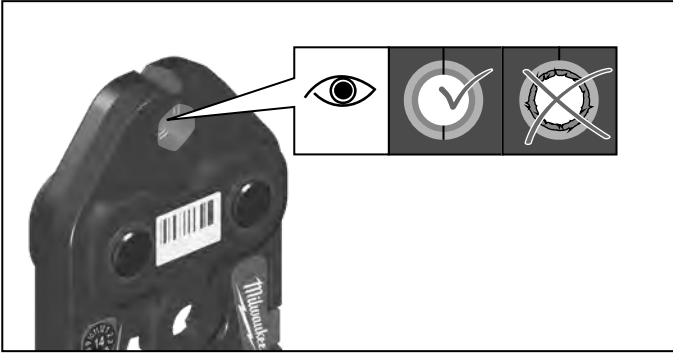


6.



7.







TECHNICAL DATA Press device	M18 BLHPT
Production code	4524 10 03 000001-999999
Battery voltage	18 V
Power consumption	450 W
Nominal force	32 kN
Compression range : Ø Plastics & Composite pipes Ø Metal until	63 mm (110 mm) 54 mm (108 mm) dep. on system
Weight according EPTA-Procedure 01/2014 (Li-Ion 2,0 Ah)	2,9 kg
Weight (M18 BLHPT / Li-Ion 2,0 Ah / J18-Th14)	4,7 kg
Noise information Measured values determined according to EN 60745. Typically, the A-weighted noise levels of the tool are: Sound pressure level (Uncertainty K=3dB(A)) Sound power level (Uncertainty K=3dB(A))	76,5 dB (A) 87,5 dB (A)
Wear ear protectors!	
Vibration information Vibration total values (triaxial vector sum) determined according to EN 60745 Vibration emission value _a Uncertainty K=	<2,5 m/s ² 1,5 m/s ²

WARNING!

The vibration emission level given in this information sheet has been measured in accordance with a standardised test given in EN 60745 and may be used to compare one tool with another. It may be used for a preliminary assessment of exposure.

The declared vibration emission level represents the main applications of the tool. However if the tool is used for different applications, with different accessories or poorly maintained, the vibration emission may differ. This may significantly increase the exposure level over the total working period.

An estimation of the level of exposure to vibration should also take into account the times when the tool is switched off or when it is running but not actually doing the job. This may significantly reduce the exposure level over the total working period.

Identify additional safety measures to protect the operator from the effects of vibration such as: maintain the tool and the accessories, keep the hands warm, organisation of work patterns.

⚠ WARNING! Read all safety warnings and all instructions.

Failure to follow the warnings and instructions may result in electric shock, fire and/or serious injury. **Save all warnings and instructions for future reference.**

⚠ PRESS DEVICE SAFETY WARNINGS

Use protective equipment. Always wear safety glasses when working with the machine. The use of protective clothing is recommended, such as dust mask, protective gloves, sturdy non-slip footwear, helmet and ear defenders.

Never hold your fingers or other body parts in the working area of the cylinder or the press jaws.

Do not hold the jaw levers with your hands during the pressing operation.

Press tools and press devices may only be used by trained personnel.

Check the press tools and press devices for cracks and other signs of wear before each use.

Only use press tools and press devices that are in perfect technical condition.

Have damage repaired immediately by an authorised workshop.

The machine may only be used with a press jaw inserted into it.

In the event of problems during the pressing process, press the Emergency Stop button immediately and release the ON switch. The valve will open and the piston will return to its initial position.

Compliance with the specified service work and service intervals is mandatory.

Remove the battery pack before starting any work on the appliance.

WORKING INSTRUCTIONS

Use only system-compatible press fittings and press jaws designed for them.

Consult the documents provided by the system supplier for handling and assembly instructions for fittings and pipes.

Check whether the nominal width of the press fitting corresponds to the nominal width of the press jaws.

Make sure that the press jaw is fully closed when pressing is complete.

Imperfect pipe joints must be compressed again using a new fitting.

After finishing the work, check the installation with appropriate testing equipment and assure that it is leakproof!

The press device is not suitable for continuous operation. Following 30 minutes of continuous operation, a short break of at least 15 minutes must be taken to allow the device to cool down.

SPECIFIED CONDITIONS OF USE

The devices and the press jaws are designed exclusively for the press-fitting of pipes and fittings for which the relevant press jaws are intended.

These press devices are intended exclusively for use with press jaws approved by Milwaukee in agreement with the system supplier.

BATTERIES

Battery packs which have not been used for some time should be recharged before use.

Temperatures in excess of 50°C (122°F) reduce the performance of the battery pack. Avoid extended exposure to heat or sunshine (risk of overheating).

The contacts of chargers and battery packs must be kept clean.

For an optimum life-time, the battery packs have to be fully charged, after use.

To obtain the longest possible battery life remove the battery pack from the charger once it is fully charged.

For battery pack storage longer than 30 days: Store the battery pack where the temperature is below 27°C and away from moisture. Store the battery packs in a 30% - 50% charged condition. Every six months of storage, charge the pack as normal.

Do not dispose of used battery packs in the household refuse or by burning them. Milwaukee Distributors offer to retrieve old batteries to protect our environment.

Do not store the battery pack together with metal objects (short circuit risk).

Use only System M18 chargers for charging System M18 battery packs. Do not use battery packs from other systems.

Never break open battery packs and chargers and store only in dry rooms. Keep dry at all times.

Battery acid may leak from damaged batteries under extreme load or extreme temperatures. In case of contact with battery acid wash it off immediately with soap and water. In case of eye contact rinse thoroughly for at least 10 minutes and immediately seek medical attention.

No metal parts must be allowed to enter the battery section of the charger (short circuit risk).

TRANSPORTING LITHIUM BATTERIES

Lithium-ion batteries are subject to the Dangerous Goods Legislation requirements.

Transportation of those batteries has to be done in accordance with local, national and international provisions and regulations.

The user can transport the batteries by road without further requirements.

Commercial transport of Lithium-Ion batteries by third parties is subject to Dangerous Goods regulations. Transport preparation and transport are exclusively to be carried out by appropriately trained persons and the process has to be accompanied by corresponding experts.

When transporting batteries:

Ensure that battery contact terminals are protected and insulated to prevent short circuit. Ensure that battery pack is secured against movement within packaging. Do not transport batteries that are cracked or leak. Check with forwarding company for further advice

MAINTENANCE

Check that the press jaw and drive rolls move freely.

Clean and grease the drive rolls, the bolt and press jaws when you have finished work.

Service and repair work may only be carried out by authorised specialist workshops.

The device contains hydraulic fluid. Hydraulic fluids pose a hazard to groundwater. Uncontrolled draining or improper disposal is punishable by law.

The next service deadline is indicated on the press device. This service must be performed at least every 2 years or at the latest when the LED display indicates that a service is due.

Replace worn press tools.

The ventilation slots of the machine must be kept clear at all times.

Use only Milwaukee accessories and Milwaukee spare parts. Should components need to be replaced which have not been described, please contact one of our Milwaukee service agents (see our list of guarantee/ service addresses).

If needed, an exploded view of the tool can be ordered. Please state the Article No. as well as the machine type printed on the label and order the drawing at your local service agents or directly at: Techtronic Industries GmbH, Max-Eyth-Straße 10, 71364 Winnenden, Germany.

EC-DECLARATION OF CONFORMITY

We declare under our sole responsibility that the product described under "Technical Data" fulfills all the relevant provisions of the directives 2011/65/EU (RoHS)

2006/42/EC

2014/30/EU

and the following harmonized standards have been used.

EN 60745-1:2009 + A11:2010

EN ISO 12100:2010

EN 55014-1:2017+A11:2020

EN 55014-2:2015

EN IEC 63000:2018



Winnenden, 2021-08-19

Alexander Krug / Managing Director
Authorized to compile the technical file
Techtronic Industries GmbH
Max-Eyth-Straße 10, 71364 Winnenden, Germany

GB-DECLARATION OF CONFORMITY

We declare as the manufacturer under our sole responsibility that the product described under „Technical Data“ fulfills all the relevant provisions of the following Regulations
S.I. 2012/3032 (as amended), S.I. 2008/1597 (as amended),
S.I. 2016/1091 (as amended) and that the following designated standards have been used:

BS EN 60745-1:2009 + A11:2010

BS EN ISO 12100:2010

BS EN 55014-1:2017+A11:2020

BS EN 55014-2:2015

BS EN IEC 63000:2018

Winnenden, 2021-08-19

Alexander Krug / Managing Director
Authorized to compile the technical file

Techtronic Industries GmbH

Max-Eyth-Straße 10, 71364 Winnenden, Germany



SYMBOLS



Please read the instructions carefully before starting the machine.



CAUTION! WARNING! DANGER!



Remove the battery pack before starting any work on the appliance.



WARNING!
Risk of injury from ejected fragments



Warning! Danger of crushing!



Accessory - Not included in standard equipment, available as an accessory.



Always wear goggles when using the machine.



Service label



Do not dispose of electric tools together with household waste material. Electric tools and electronic equipment that have reached the end of their life must be collected separately and returned to an environmentally compatible recycling facility. Check with your local authority or retailer for recycling advice and collection point.



European Conformity Mark



British Conformity Mark



Ukraine Conformity Mark



EurAsian Conformity Mark

TECHNISCHE DATEN Pressgerät	M18 BLHPT
Produktionsnummer	4524 10 03 000001-999999
Spannung Wechselakku	18 V
Leistungsaufnahme	450 W
Nennkraft	32 kN
Pressbereich : Ø Kunststoff & Mehrschicht-Verbundrohre Ø Metall bis	63 mm (110 mm) 54 mm (108 mm) systemabhängig
Gewicht nach EPTA-Prozedur 01/2014 (Li-Ion 2,0 Ah)	2,9 kg
Gewicht (M18 BLHPT / Li-Ion 2,0 Ah / J18-Th14)	4,7 kg

Geräuschinformation

Messwerte ermittelt entsprechend EN 60745. Der A-bewertete Geräuschpegel des Gerätes beträgt typischerweise:

Schalldruckpegel (Unsicherheit K=3dB(A))	76,5 dB (A)
Schalleistungspegel (Unsicherheit K=3dB(A))	87,5 dB (A)

Gehörschutz tragen!

Vibrationsinformationen

Schwingungs Gesamtwerte (Vektorsumme dreier Richtungen) ermittelt entsprechend EN 60745.

Schwingungsemissionswert _h	<2,5 m/s ²
Unsicherheit K=	1,5 m/s ²

WARNUNG!

Der in diesen Anweisungen angegebene Schwingungspegel ist entsprechend einem in EN 60745 genormten Messverfahren gemessen worden und kann für den Vergleich von Elektrowerkzeugen miteinander verwendet werden. Er eignet sich auch für eine vorläufige Einschätzung der Schwingungsbelastung.

Der angegebene Schwingungspegel repräsentiert die hauptsächlichsten Anwendungen des Elektrowerkzeugs. Wenn allerdings das Elektrowerkzeug für andere Anwendungen, mit abweichenden Einsatzwerkzeugen oder ungenügender Wartung eingesetzt wird, kann der Schwingungspegel abweichen. Dies kann die Schwingungsbelastung über den gesamten Arbeitszeitraum deutlich erhöhen.

Für eine genaue Abschätzung der Schwingungsbelastung sollten auch die Zeiten berücksichtigt werden, in denen das Gerät abgeschaltet ist oder zwar läuft, aber nicht tatsächlich im Einsatz ist. Dies kann die Schwingungsbelastung über den gesamten Arbeitszeitraum deutlich reduzieren.

Legen Sie zusätzliche Sicherheitsmaßnahmen zum Schutz des Bedieners vor der Wirkung von Schwingungen fest wie zum Beispiel: Wartung von Elektrowerkzeug und Einsatzwerkzeugen, Warmhalten der Hände, Organisation der Arbeitsabläufe.

⚠️ WARNUNG! Lesen Sie alle Sicherheitshinweise und Anweisungen. Versäumnisse bei der Einhaltung der Sicherheitshinweise und Anweisungen können elektrischen Schlag, Brand und/oder schwere Verletzungen verursachen. **Bewahren Sie alle Sicherheitshinweise und Anweisungen für die Zukunft auf.**

⚠️ SICHERHEITSHINWEISE FÜR PRESSGERÄTE

Schutzrüstung verwenden. Beim Arbeiten mit der Maschine stets Schutzbrille tragen. Schutzkleidung wie Staubschutzmaske, Stützhandschuhe, festes und rutschsicheres Schuhwerk, Helm und Gehörschutz werden empfohlen.

Halten Sie niemals Finger oder andere Körperteile in den Arbeitsbereich des Zylinders und der Pressbacken.

Halten Sie die Backenhebel während des Pressvorgangs nicht mit den Händen fest.

Presswerkzeuge und Pressgeräte dürfen nur von einer Fachkraft verwendet werden.

Vor jedem Gebrauch die Presswerkzeuge und Pressgeräte auf Risse und sonstige Verschleißerscheinungen prüfen.

Presswerkzeuge und Pressgeräte nur in technisch einwandfreiem Zustand verwenden.

Beschädigungen sofort von einer autorisierten Fachwerkstatt reparieren lassen.

Das Gerät darf nur mit eingesetzter Pressbacke verwendet werden.

Drücken Sie bei Störungen während des Pressvorgangs sofort den Gefahrenschalter und lassen Sie den EIN-Schalter los. Das Ventil öffnet und der Kolben fährt in die Ausgangsposition zurück.

Wartung und Wartungsintervalle zwingend einhalten.

Vor allen Arbeiten am Gerät den Wechselakku herausnehmen.

ARBEITSHINWEISE

Nur systemkonforme Pressfittings sowie dafür ausgelegte Pressbacken verwenden.

Entnehmen Sie die Verarbeitungs- und Montageanweisungen für Fitting oder Rohre den Unterlagen des Systemanbieters.

Prüfen Sie, ob die Nennweite des Pressfittings mit der Nennweite der Pressbacke übereinstimmt.

Nach vollendeter Verpressung darauf achten, dass die Pressbacke vollständig geschlossen ist.

Nicht korrekte Rohrverbindungen müssen Sie mit einem neuen Fitting nochmals verpressen.

Prüfen Sie nach Beendigung der Installationsarbeiten das Rohrsystem mit entsprechend geeigneten Prüfmitteln auf Dichtheit.

Das Pressgerät ist nicht für den Dauerbetrieb geeignet. Nach 30 Minuten ununterbrochenem Betrieb muss eine kurze Pause von mindestens 15 Minuten eingelegt werden, damit das Gerät abkühlen kann.

BESTIMMUNGSGEMÄSSE VERWENDUNG

Die Pressgeräte und die Pressbacken dürfen ausschließlich zum Verpressen von Rohren und Fittings, für die die entsprechenden Pressbacken vorgesehen sind, verwendet werden.

Die Pressgeräte sind ausschließlich für den Einsatz von Pressbacken vorgesehen, die von Milwaukee in Übereinstimmung mit dem Systemanbieter als geeignet erklärt werden.

AKKUS

Längere Zeit nicht benutzte Wechselakkus vor Gebrauch nachladen.

Eine Temperatur über 50°C vermindert die Leistung des Wechselakkus. Längere Erwärmung durch Sonne oder Heizung vermeiden.

Die Anschlusskontakte an Ladegerät und Wechselakku sauber halten.

Für eine optimale Lebensdauer müssen nach dem Gebrauch die Akkus voll geladen werden.

Für eine möglichst lange Lebensdauer sollten die Akkus nach dem Aufladen aus dem Ladegerät entfernt werden.

Bei Lagerung des Akkus länger als 30 Tage: Akku bei ca. 27°C und trocken lagern. Akku bei ca. 30%-50% des Ladezustandes lagern. Akku alle 6 Monate erneut aufladen.

Verbrauchte Wechselakkus nicht ins Feuer oder in den Hausmüll werfen. Milwaukee bietet eine umweltgerechte Alt-Wechselakku-Entsorgung an; bitte fragen Sie Ihren Fachhändler.

Wechselakkus nicht zusammen mit Metallgegenständen aufbewahren (Kurzschlussgefahr).

Deutsch

Wechselakku des Systems M18 nur mit Ladegeräten des Systems M18 laden. Keine Akkus aus anderen Systemen laden.

Wechselakku und Ladegeräte nicht öffnen und nur in trockenen Räumen lagern. Vor Nässe schützen.

Unter extremer Belastung oder extremer Temperatur kann aus beschädigten Wechselakku Batterieflüssigkeit auslaufen. Bei Berührung mit Batterieflüssigkeit sofort mit Wasser und Seife abwaschen. Bei Augenkontakt sofort mindestens 10 Minuten gründlich spülen und unverzüglich einen Arzt aufsuchen.

In den Wechselakku-Einschubschacht der Ladegeräte dürfen keine Metallteile gelangen (Kurzschlussgefahr).

TRANSPORT VON LITHIUM-IONEN-AKKUS

Lithium-Ionen-Akkus fallen unter die gesetzlichen Bestimmungen zum Gefahrguttransport.

Der Transport dieser Akkus muss unter Einhaltung der lokalen, nationalen und internationalen Vorschriften und Bestimmungen erfolgen.

Verbraucher dürfen diese Akkus ohne Weiteres auf der Straße transportieren.

Der kommerzielle Transport von Lithium-Ionen-Akkus durch Speditionsunternehmen unterliegt den Bestimmungen des Gefahrguttransports. Die Versandvorbereitungen und der Transport dürfen ausschließlich von entsprechend geschulten Personen durchgeführt werden. Der gesamte Prozess muss fachmännisch begleitet werden.

Folgende Punkte sind beim Transport von Akkus zu beachten:

Stellen Sie sicher, dass die Kontakte geschützt und isoliert sind, um Kurzschlüsse zu vermeiden. Achten Sie darauf, dass der Akkupack innerhalb der Verpackung nicht verrutschen kann. Beschädigte oder auslaufende Akkus dürfen nicht transportiert werden. Wenden Sie sich für weitere Hinweise an Ihr Speditionsunternehmen.

WARTUNG

Leichtgängigkeit der Pressbacken und der Pressrollen überprüfen.

Nach Beendigung der Arbeiten Pressrollen, Riegel und Pressbacken reinigen und fetten.

Wartungs- und Reparaturarbeiten dürfen nur durch autorisierte Fachwerkstätten ausgeführt werden.

Das Gerät enthält Hydrauliköl, welches eine Gefahr für das Grundwasser darstellt. Unkontrolliertes Ablassen oder unsachgemäße Entsorgung steht unter Strafe.

Auf dem Pressgerät wird die nächste Wartung angegeben. Diese Wartung muss mindestens alle 2 Jahre durchgeführt werden oder spätestens, wenn dies die LED-Anzeige signalisiert.

Abgenutzte Presswerkzeuge tauschen.

Stets die Lüftungsschlitze der Maschine sauber halten.

Nur Milwaukee Zubehör und Milwaukee Ersatzteile verwenden.

Bauteile, deren Austausch nicht beschrieben wurde, bei einer Milwaukee Kundendienststelle auswechseln lassen (Broschüre Garantie/Kundendienstadressen beachten).

Bei Bedarf kann eine Explosionszeichnung des Gerätes unter Angabe der Maschinen Typ und der sechsstelligen Nummer auf dem Leistungsschild bei Ihrer Kundendienststelle oder direkt bei Techtronic Industries GmbH, Max-Eyth-Straße 10, 71364 Winnenden, Germany angefordert werden.

CE-KONFORMITÄTSERKLÄRUNG

Wir erklären in alleiniger Verantwortung, dass das unter „Technische Daten“ beschriebene Produkt mit allen relevanten Vorschriften der Richtlinien

2011/65/EU (RoHS)

2006/42/EG

2014/30/EU

und den folgenden harmonisierten normativen Dokumenten übereinstimmt

EN 60745-1:2009 + A11:2010

EN ISO 12100:2010

EN 55014-1:2017+A11:2020

EN 55014-2:2015

EN IEC 63000:2018



Winnenden, 2021-08-19

Alexander Krug / Managing Director

Bevollmächtigt die technischen Unterlagen zusammenzustellen.

Techtronic Industries GmbH

Max-Eyth-Straße 10, 71364 Winnenden, Germany

SYMBOLS



Bitte lesen Sie die Gebrauchsanweisung vor Inbetriebnahme sorgfältig durch.



ACHTUNG! WARNUNG! GEFAHR!



Vor allen Arbeiten am Gerät den Wechselakku herausnehmen.



WARNUNG!
Verletzungsgefahr durch wegfliegende Bruchstücke



Warnung! Quetschgefahr



Zubehör - Im Lieferumfang nicht enthalten, empfohlene Ergänzung aus dem Zubehörprogramm.



Beim Arbeiten mit der Maschine stets Schutzbrille tragen.



Wartungsaufkleber



Elektrogeräte dürfen nicht zusammen mit dem Hausmüll entsorgt werden. Elektrische und elektronische Geräte sind getrennt zu sammeln und zur umweltgerechten Entsorgung bei einem Verwertungsbetrieb abzugeben. Erkundigen Sie sich bei den örtlichen Behörden oder bei Ihrem Fachhändler nach Recyclinghöfen und Sammelstellen.



Europäisches Konformitätszeichen



Britisches Konformitätszeichen



Ukrainisches Konformitätszeichen



Euroasiatisches Konformitätszeichen



D

Deutsch

CARACTÉRISTIQUES TECHNIQUES Appareil de pressage	M18 BLHPT
Numéro de série	4524 10 03 000001-999999
Tension accu interchangeable	18 V
Puissance absorbée	450 W
Force nominale	32 kN
Zone de pressage : Ø Matériaux plastiques & Tuyaux composites Ø Métal jusqu'à	63 mm (110 mm) 54 mm (108 mm) selon l'appareil
Poids suivant EPTA-Procédure 01/2014 (Li-Ion 2,0 Ah)	2,9 kg
Poids (M18 BLHPT / Li-Ion 2,0 Ah / J18-Th14)	4,7 kg
Informations sur le bruit	
Valeurs de mesure obtenues conformément à la EN 60745. Les mesures réelles (des niveaux acoustiques de l'appareil) sont :	
Niveau de pression acoustique (Incertitude K=3dB(A))	76,5 dB (A)
Niveau d'intensité acoustique (Incertitude K=3dB(A))	87,5 dB (A)
Toujours porter une protection acoustique!	
Informations sur les vibrations	
Valeurs totales des vibrations (somme vectorielle de trois sens) établies conformément à EN 60745.	
Valeur d'émission vibratoire a_{hv}	< 2,5 m/s ²
Incertitude K=	1,5 m/s ²



AVERTISSEMENT!

Le niveau vibratoire indiqué dans ces instructions a été mesuré selon un procédé de mesure normalisé dans la norme EN 60745 et peut être utilisé pour comparer des outils électriques entre eux. Il convient aussi à une estimation provisoire de la sollicitation par les vibrations. Le niveau vibratoire indiqué représente les applications principales de l'outil électrique. Toutefois, si l'outil électrique est utilisé pour d'autres applications, avec des outils rapportés qui diffèrent ou une maintenance insuffisante, il se peut que le niveau vibratoire diverge. Cela peut augmenter nettement la sollicitation par les vibrations sur tout l'intervalle de temps du travail.

Pour une estimation précise de la sollicitation par les vibrations, on devrait également tenir compte des temps pendant lesquels l'appareil n'est pas en marche ou tourne sans être réellement en service. Cela peut réduire nettement la sollicitation par les vibrations sur tout l'intervalle de temps du travail.

Définissez des mesures de sécurité supplémentaires pour protéger l'utilisateur contre l'influence des vibrations, comme par exemple : la maintenance de l'outil électrique et des outils rapportés, le maintien au chaud des mains, l'organisation des déroulements de travail.

⚠ AVERTISSEMENT! Lisez toutes les consignes de sécurité et les instructions. Le non-respect des avertissements et instructions indiqués ci après peut entraîner un choc électrique, un incendie et/ou de graves blessures sur les personnes. **Bien garder tous les avertissements et instructions.**

⚠ AVERTISSEMENTS DE SÉCURITÉ DE L'APPAREIL DE PRESSE

Utiliser l'équipement de protection. Toujours porter des lunettes de protection pendant le travail avec la machine. Il est recommandé de porter des articles de protection, tels que masque antipoussière, gants de protection, chaussures tenant bien aux pieds et antidérapantes, casque et protection acoustique.

N'introduire jamais les doigts ou d'autres parties du corps dans la zone de travail du cylindre et des mâchoires de pressage.

Pendant le procédé de pressage, ne pas tenir le levier des mâchoires manuellement.

Les outillages et les appareils de pressage doivent être utilisés exclusivement par du personnel spécialisé.

Avant chaque utilisation, contrôler s'il y a des fissurations ou d'autre manifestations d'usure sur les outillages et les appareils de pressage.

Utiliser les outillages et les appareils de pressage exclusivement en parfait état technique.

Faire immédiatement réparer d'éventuels dommages chez une usine autorisée.

L'appareil ne doit être utilisé qu'avec la mâchoire de pressage insérée.

En cas d'anomalies pendant le procédé de pressage, actionner immédiatement l'interrupteur d'urgence et désactiver l'interrupteur ON. La vanne s'ouvrira et le piston rétablira sa position de partance.

Il est impératif de respecter les instructions et les intervalles d'entretien.

Avant tous travaux sur l'appareil retirer l'accu interchangeable.

CONSIGNES DE TRAVAIL

Ne soumettre à pressage que des raccords conformes au système et à l'aide des mâchoires de pressage spécifiques.

Pour les instructions de travail et de montage pour raccords ou tuyaux voir le dossier du fournisseur du système.

S'assurer que le diamètre nominal du raccord à soumettre à pressage coïncide avec le diamètre nominal de la mâchoire de pressage.

Une fois que le pressage a été achevé, s'assurer que la mâchoire de pressage soit complètement fermée.

Des jonctions de tuyaux non effectuées correctement seront soumises de nouveau à pressage avec un nouveau raccord.

Une fois que les travaux d'installation ont été achevés, contrôler l'étanchéité du système de tuyaux avec des dispositifs de contrôle appropriés.

L'appareil de pressage n'est pas apte à un fonctionnement continu. Après 30 minutes de fonctionnement ininterrompu, il faut effectuer une brève pause d'au moins 15 minutes pour refroidir l'appareil.

UTILISATION CONFORME AUX PRESCRIPTIONS

Les appareils et les mâchoires de pressage doivent être utilisés exclusivement en vue du pressage de tuyaux et raccords pour lesquels les mâchoires de pressage intéressées ont été prévues.

Les appareils de pressage sont prévus exclusivement en vue de l'utilisation de mâchoires de pressage déclarées convenables par Milwaukee en accord avec le fournisseur du système.

ACCUS

Recharger les accus avant utilisation après une longue période de non utilisation.

Une température supérieure à 50°C amoindrit la capacité des accus. Eviter les expositions prolongées au soleil ou au chauffage.

Tenir propres les contacts des accus et des chargeurs.

Pour une durée de vie optimale, les accus doivent être chargés à fond après l'utilisation.

Pour une plus longue durée de vie, enlever les batteries du chargeur de batterie quand celles-ci seront chargées.

En cas d'entreposage de la batterie pour plus de 30 jours: Entreposer la batterie à 27°C environ dans un endroit sec. Entreposer la batterie avec une charge d'environ 30% - 50%. Recharger la batterie tous les 6 mois.

Ne pas jeter les accus interchangeables usés au feu ou avec les déchets ménagers. Milwaukee offre un système d'évacuation écologique des accus usés.

Ne pas conserver les accus interchangeables avec des objets métalliques (risque de court-circuit)

Ne charger les accus interchangeables du système M18 qu'avec le chargeur d'accus du système M18. Ne pas charger des accus d'autres systèmes.

Ne pas ouvrir les accus interchangeables et les chargeurs et ne les stocker que dans des locaux secs. Les protéger contre l'humidité.

En cas de conditions ou températures extrêmes, du liquide caustique peut s'échapper d'un accus interchangeable endommagé. En cas de contact avec le liquide caustique de la batterie, laver immédiatement avec de l'eau et du savon. En cas de contact avec les yeux, rincer soigneusement avec de l'eau et consulter immédiatement un médecin.

Aucune pièce métallique ne doit pénétrer dans le logement d'accu du chargeur (risque de court-circuit)

TRANSPORT DE BATTERIES LITHIUM-ION

Les batteries lithium-ion sont soumises aux dispositions législatives concernant le transport de produits dangereux.

Le transport de ces batteries devra s'effectuer dans le respect des dispositions et des normes locales, nationales et internationales.

Les utilisateurs peuvent transporter ces batteries sans restrictions.

Le transport commercial de batteries lithium-ion est réglé par les dispositions concernant le transport de produits dangereux. La préparation au transport et le transport devront être effectués uniquement par du personnel formé de façon adéquate. Tout le procédé devra être géré d'une manière professionnelle.

Durant le transport de batteries il faut respecter les consignes suivantes :

S'assurer que les contacts soient protégés et isolés en vue d'éviter des courts-circuits. S'assurer que le groupe de batteries ne puisse pas se déplacer à l'intérieur de son emballage. Des batteries endommagées ou des batteries perdant du liquide ne devront pas être transportées. Pour tout renseignement complémentaire veuillez vous adresser à votre transporteur professionnel.

ENTRETIEN

Contrôler la fluidité des mâchoires et des rouleaux de pressage.

Une fois que les travaux ont été achevés, nettoyer et graisser les rouleaux de pressage, la fermeture et les mâchoires de pressage.

Les interventions d'entretien et de réparation devront être effectuées exclusivement par des usines spécialisées et autorisées.

L'appareil contient de l'huile hydraulique qui représente un danger pour les couches acquifères. La vidange incontrôlée ou la décharge non correcte sont punissables.

Sur l'appareil de pressage la date du prochain entretien est indiquée. L'entretien devra être effectué au mois tous les 2 ans ou au plus tard au moment de sa signalisation sur l'afficheur à LED.

Remplacer les outillages de pressage usés.

Tenir toujours propres les orifices de ventilation de la machine.

Utiliser uniquement les accessoires Milwaukee et les pièces détachées Milwaukee. Faire remplacer les composants dont le remplacement n'a pas été décrit, par un des centres de service après-vente Milwaukee (observer la brochure avec les adresses de garantie et de service après-vente).

Si besoin est, une vue éclatée de l'appareil peut être fournie.

S'adresser, en indiquant bien le numéro porté sur la plaque signalétique, à votre station de service après-vente (voir liste jointe) ou directement à Techtronic Industries GmbH, Max-Eyth-Straße 10, 71364 Winnenden, Germany.

DÉCLARATION CE DE CONFORMITÉ

Nous déclarons, sous notre responsabilité exclusive, que le produit décrit ici dans les « Caractéristiques techniques » satisfait à toutes les dispositions pertinentes des directives

2011/65/EU (RoHS)

2006/42/CE

2014/30/EU

et que les normes harmonisées suivantes ont été appliquées.

EN 60745-1:2009 + A11:2010

EN ISO 12100:2010

EN 55014-1:2017+A11:2020

EN 55014-2:2015

EN IEC 63000:2018



Winnenden, 2021-08-19

Alexander Krug / Managing Director

Autorisé à compiler la documentation technique.

Techtronic Industries GmbH

Max-Eyth-Straße 10, 71364 Winnenden, Germany

SYMBOLES



Veillez lire avec soin le mode d'emploi avant la mise en service



ATTENTION! AVERTISSEMENT! DANGER!



Avant tous travaux sur l'appareil retirer l'accu interchangeable.



AVERTISSEMENT!

Risque de blessures dû à la projection de fragments



Attention ! Danger d'écrasement



Accessoires - Ces pièces ne font pas partie de la livraison. Il s'agit là de compléments recommandés pour votre machine et énumérés dans le catalogue des accessoires.



Toujours porter des lunettes protectrices en travaillant avec la machine.



Étiquette d'entretien



Les dispositifs électriques ne sont pas à éliminer dans les déchets ménagers. Les dispositifs électriques et électroniques sont à collecter séparément et à remettre à un centre de recyclage en vue de leur élimination dans le respect de l'environnement. S'adresser aux autorités locales ou au détaillant spécialisé en vue de connaître l'emplacement des centres de recyclage et des points de collecte.



Marque de conformité européenne



Britisches Konformitätszeichen



Marque de conformité ukrainienne



Marque de conformité d'Eurasie



Fr

DATI TECNICI Pressatrice	M18 BLHPT
Numero di serie	4524 10 03 000001-999999
Tensione batteria	18 V
Potenza assorbita	450 W
Forza nominale	32 kN
Gamma di pressatura : Ø Materie plastiche & tubi compositi Ø Metallo fino al	63 mm (110 mm) 54 mm (108 mm) a seconda del sistema
Peso secondo la procedura EPTA 01/2014 (Li-Ion 2,0 Ah)	2,9 kg
Peso (M18 BLHPT / Li-Ion 2,0 Ah / J18-Th14)	4,7 kg
Informazioni sulla rumorosità	
Valori misurati conformemente alla norma EN 60745. La misurazione A del livello di pressione acustica dell'utensile è di solito di:	
Livello di rumorosità (Incertezza della misura K=3dB(A))	76,5 dB (A)
Potenza della rumorosità (Incertezza della misura K=3dB(A))	87,5 dB (A)
Utilizzare le protezioni per l'udito!	
Informazioni sulle vibrazioni	
Valori totali delle oscillazioni (somma di vettori in tre direzionmisurati conformemente alla norma EN 60745	
Valore di emissione dell'oscillazione _h	<2,5 m/s ²
Incertezza della misura K=	1,5 m/s ²

AVVERTENZA!

Il livello di vibrazioni indicato nelle presenti istruzioni è stato misurato in conformità con un procedimento di misurazione codificato nella EN 60745 e può essere utilizzato per un confronto tra attrezzi elettrici. Inoltre si può anche utilizzare per una valutazione preliminare della sollecitazione da vibrazioni.

Il livello di vibrazioni indicato rappresenta le applicazioni principali dell'attrezzo elettrico. Se viceversa si utilizza l'attrezzo elettrico per altri scopi, con accessori differenti o con una manutenzione insufficiente, il livello di vibrazioni può risultare diverso. E questo può aumentare decisamente la sollecitazione da vibrazioni lungo l'intero periodo di lavorazione.

Ai fini di una valutazione precisa della sollecitazione da vibrazioni si dovrebbero tenere presente anche i periodi in cui l'apparecchio rimane spento oppure, anche se acceso, non viene effettivamente utilizzato. Ciò può ridurre notevolmente la sollecitazione da vibrazioni lungo l'intero periodo di lavorazione.

Stabilire misure di sicurezza supplementari per la tutela dell'operatore dall'effetto delle vibrazioni, come ad esempio: manutenzione dell'attrezzo elettrico e degli accessori, riscaldamento delle mani, organizzazione dei processi di lavoro.

⚠ AVVERTENZA! E' necessario leggere tutte le indicazioni di sicurezza e le istruzioni. In caso di mancato rispetto delle avvertenze di pericolo e delle istruzioni operative si potrà creare il pericolo di scosse elettriche, incendi e/o incidenti gravi. **Conservare tutte le avvertenze di pericolo e le istruzioni operative per ogni esigenza futura.**

⚠ AVVERTENZE DI SICUREZZA PRESSATRICE

Usare dispositivi di protezione. Durante il lavoro con la macchina bisogna sempre portare occhiali di protezione. Si consiglia di indossare indumenti di protezione come maschera antipolvere,

guanti di protezione, scarpe antiscivolo robuste, casco e cuffie di protezione acustica.

Non introdurre mai dita o altre parti del corpo nell'area di lavoro del cilindro e delle ganasce di pressatura.

Durante il processo di pressatura non tenere la leva delle ganasce con le mani.

Gli utensili ed apparecchi di pressatura devono essere usati esclusivamente da personale specializzato.

Prima di ogni utilizzo, controllare se sugli utensili ed apparecchi di pressatura sono presenti fessurazioni o altri fenomeni di usura.

Utilizzare gli utensili ed apparecchi di pressatura esclusivamente in perfetto stato tecnico.

Fare immediatamente riparare eventuali danni da un'officina autorizzata.

L'apparecchio deve essere utilizzato soltanto con la ganascia di pressatura inserita.

In caso di anomalie durante il processo di pressatura, azionare immediatamente l'interruttore di emergenza e rilasciare l'interruttore ON. La valvola si aprirà e lo stantuffo tornerà nella sua posizione di partenza.

E' imperativo rispettare le istruzioni e gli intervalli di manutenzione.

Prima di iniziare togliere la batteria dalla apparecchio.

ISTRUZIONI DI LAVORO

Sottoporre a pressatura soltanto raccordi conformi al sistema e usando le ganasce di pressatura specifiche.

Per le istruzioni di lavorazione e di montaggio per raccordi o tubi si rinvia alla documentazione del fornitore del sistema.

Accertarsi che il diametro nominale del raccordo da sottoporre a pressatura coincida con il diametro nominale della ganascia di pressatura.

A pressatura terminata, accertarsi che la ganascia di pressatura sia completamente chiusa.

Giunzioni di tubazioni non riuscite correttamente dovranno essere nuovamente sottoposte a pressatura con un nuovo raccordo.

Dopo aver completato i lavori di installazione, controllare la tenuta del sistema di tubazioni con idonei mezzi di controllo.

L'apparecchio di pressatura non è idoneo ad un funzionamento continuo. Dopo 30 minuti di funzionamento ininterrotto dovrà essere inserita una breve pausa di almeno 15 minuti per far raffreddare l'apparecchio.

UTILIZZO CONFORME

Gli apparecchi e le ganasce di pressatura devono essere utilizzati esclusivamente per la pressatura di tubi e raccordi per i quali sono previste le ganasce di pressatura in questione.

Gli apparecchi di pressatura sono previsti esclusivamente per l'uso di ganasce di pressatura dichiarate idonee da Milwaukee in accordo con il fornitore del sistema.

BATTERIE

Batterie non utilizzate per molto tempo devono essere ricaricate prima dell'uso.

A temperature superiori ai 50°C, la potenza della batteria si riduce.

Evitare di esporre l'accumulatore a surriscaldamento prolungato, dovuto ad esempio ai raggi del sole o ad un impianto di riscaldamento.

Per una ottimale vita utile è necessario ricaricare completamente le batterie dopo l'uso.

Per una più lunga durata, rimuovere le batterie dal caricabatterie quando saranno cariche.

In caso di immagazzinaggio della batteria per più di 30 giorni: Immagazzinare la batteria a circa 27°C in ambiente asciutto. Immagazzinare la batteria con carica di circa il 30% - 50%. Ricaricare la batteria ogni 6 mesi.

Non gettare le batterie esaurite sul fuoco o nella spazzatura di casa. La Milwaukee offre infatti un servizio di recupero batterie usate.

Nel vano d'innesto per la batteria del caricatore non devono entrare parti metalliche (pericolo di cortocircuito).

Le batterie del System M18 sono ricaricabili esclusivamente con i caricatori del System M18. Le batterie di altri sistemi non possono essere ricaricate.

Non aprire né la batteria né il caricatore e conservarli solo in luogo asciutto. Proteggerli dalla umidità.

Nel caso di batterie danneggiate da un carico eccessivo o da temperature alte, l'acido di queste potrebbe fuoriuscire. In caso di contatto con l'acido delle batterie lavarsi immediatamente con acqua e sapone. In caso di contatto con gli occhi risciacquare immediatamente con acqua per almeno 10 minuti e contattare subito un medico.

Non conservare le batterie con oggetti metallici (pericolo di cortocircuito).

TRASPORTO DI BATTERIE AGLI IONI DI LITIO

Le batterie agli ioni di litio sono soggette alle disposizioni di legge sul trasporto di merce pericolosa.

Il trasporto di queste batterie deve avvenire rispettando le disposizioni e norme locali, nazionali ed internazionali.

Gli utilizzatori possono trasportare queste batterie su strada senza alcuna restrizione.

Il trasporto commerciale di batterie agli ioni di litio è regolato dalle disposizioni sul trasporto di merce pericolosa. Le preparazioni al trasporto ed il trasporto stesso devono essere svolti esclusivamente da persone idoneamente istruite. Tutto il processo deve essere gestito in maniera professionale.

Durante il trasporto di batterie occorre tenere conto di quanto segue:

Assicurarsi che i contatti siano protetti ed isolati per evitare corto circuiti. Accertarsi che il gruppo di batterie non possa spostarsi all'interno dell'imballaggio. Batterie danneggiate o batterie che perdono liquido non devono essere trasportate. Per ulteriori informazioni si prega di contattare il proprio trasportatore.

MANUTENZIONE

Controllare la scorrevolezza delle ganasce e dei rulli di pressatura.

Al termine dei lavori, pulire ed ingrassare i rulli di pressatura, il chiavistello e le ganasce di pressatura.

Gli interventi di manutenzione e di riparazione dovranno essere eseguiti esclusivamente da officine specializzate autorizzate.

L'apparecchio contiene olio idraulico che costituisce un pericolo per le falde acquifere. Lo scarico incontrollato o lo smaltimento non corretto sono punibili.

Sull'apparecchio di pressatura è indicata la successiva data di manutenzione. La manutenzione deve essere eseguita almeno ogni 2 anni o al più tardi quando viene segnalata dal display a LED.

Sostituire utensili di pressatura usurati.

Tener sempre ben pulite le fessure di ventilazione dell'apparecchio.

Usare solo accessori Milwaukee e pezzi di ricambio Milwaukee. Gruppi costruttivi la cui sostituzione non è stata descritta, devono essere fatti cambiare da un punto di servizio di assistenza tecnica al cliente Milwaukee (vedi depliant garanzia/indirizzi assistenza tecnica ai clienti).

In caso di mancanza del disegno esploso, può essere richiesto al seguente indirizzo: Techtronic Industries GmbH, Max-Eyth-Straße 10, 71364 Winnenden, Germany.

DICHIARAZIONE DI CONFORMITÀ CE

Assumendone la piena responsabilità, dichiariamo che il prodotto descritto nei "Dati tecnici" è conforme alle pertinenti disposizioni delle direttive

2011/65/EU (RoHS)

2006/42/CE

2014/30/EU

e che sono state applicate le seguenti norme armonizzate

EN 60745-1:2009 + A11:2010

EN ISO 12100:2010

EN 55014-1:2017+A11:2020

EN 55014-2:2015

EN IEC 63000:2018



Winnenden, 2021-08-19

Alexander Krug / Managing Director

Autorizzato alla preparazione della documentazione tecnica

Techtronic Industries GmbH

Max-Eyth-Straße 10, 71364 Winnenden, Germany

SIMBOLI



Leggere attentamente le istruzioni per l'uso prima di mettere in funzione l'elettrostrumento.



ATTENZIONE! AVVERTENZA! PERICOLO!



Prima di iniziare togliere la batteria dalla apparecchiatura.



AVVERTENZA!

Pericolo di lesioni a causa dell'espulsione di frammenti



Attenzione! Pericolo di schiacciamento



Accessorio - Non incluso nella dotazione standard, disponibile a parte come accessorio.



Durante l'uso dell'apparecchio utilizzare sempre gli occhiali di protezione.



Etichetta di manutenzione



I dispositivi elettrici non devono essere smaltiti con i rifiuti domestici. I dispositivi elettrici ed elettronici devono essere raccolti separatamente e devono essere conferiti ad un centro di riciclaggio per lo smaltimento rispettoso dell'ambiente. Chiedere alle autorità locali o al rivenditore specializzato dove si trovano i centri di riciclaggio e i punti di raccolta.



Marchio di conformità europeo



Marchio di conformità britannico



Marchio di conformità ucraino



Marchio di conformità euroasiatico





DATOS TÉCNICOS	
Equipo de compresión	
Número de producción	4524 10 03 000001-999999
Voltaje de batería	18 V
Consumo de potencia	450 W
Fuerza nominal	32 kN
Margen de compresión : Ø Materiales sintéticos & tubos compuestos Ø Metal hasta el	63 mm (110 mm) 54 mm (108 mm) dependiendo del sistema
Peso de acuerdo con el procedimiento EPTA 01/2014 (Li-Ion 2,0 Ah)	2,9 kg
Peso (M18 BLHPT / Li-Ion 2.0 Ah / J18-Th14)	4,7 kg
Información sobre ruidos Determinación de los valores de medición según norma EN 60745. El nivel de ruido típico del aparato determinado con un filtro A corresponde a: Presión acústica (Tolerancia K=3dB(A)) 76,5 dB (A) Resonancia acústica (Tolerancia K=3dB(A)) 87,5 dB (A)	
Usar protectores auditivos!	
Informaciones sobre vibraciones Nivel total de vibraciones (suma vectorial de tres direcciones) determinado según EN 60745. Valor de vibraciones generadas _h <2,5 m/s ² Tolerancia K= 1,5 m/s ²	

ADVERTENCIA!

El nivel vibratorio indicado en estas instrucciones ha sido medido conforme a un método de medición estandarizado en la norma EN 60745, y puede utilizarse para la comparación entre herramientas eléctricas. También es apropiado para una estimación provisional de la carga de vibración.

El nivel vibratorio indicado representa las aplicaciones principales de la herramienta eléctrica. Si, pese a ello, se utiliza la herramienta eléctrica para otras aplicaciones, con útiles adaptables diferentes o con un mantenimiento insuficiente, el nivel vibratorio puede diferir. Esto puede incrementar sensiblemente la carga de vibración durante todo el periodo de trabajo.

Para una estimación exacta de la carga de vibración deberían tenerse en cuenta también los tiempos durante los que el aparato está apagado o, pese a estar en funcionamiento, no está siendo realmente utilizado. Esto puede reducir sustancialmente la carga de vibración durante todo el periodo de trabajo.

Adopte medidas de seguridad adicionales para la protección del operador frente al efecto de las vibraciones, como por ejemplo: mantenimiento de la herramienta eléctrica y de los útiles adaptables, mantener las manos calientes, organización de los procesos de trabajo.

⚠️ ADVERTENCIA! Rogamos leer las indicaciones de seguridad y las instrucciones. En caso de no atenderse a las advertencias de peligro e instrucciones siguientes, ello puede ocasionar una descarga eléctrica, un incendio y/o lesión grave. **Guardar todas las advertencias de peligro e instrucciones para futuras consultas.**

⚠️ DISPOSITIVO DE PRENSA: ADVERTENCIAS DE SEGURIDAD

Utilice el equipamiento de protección. Mientras trabaje con la máquina lleve siempre gafas protectoras. Se recomienda utilizar ropa de protección como máscara protectora contra el polvo,

guantes protectores, calzado resistente y antideslizante, casco y protección para los oídos.

No ponga nunca los dedos u otras partes del cuerpo en la zona de trabajo del cilindro y de las mordazas de prensado.

Durante la operación de prensado no sujete con las manos las palancas de la mordaza.

Las herramientas y los aparatos de prensado deben ser utilizados únicamente por una persona cualificada.

Debe comprobarse la existencia de grietas y signos de desgaste en las herramientas y aparatos de prensado antes de su uso.

Utilizar las herramientas y los aparatos de prensado únicamente, si éstos se encuentran en un estado técnico impecable.

Los deterioros deben ser reparados inmediatamente por un taller especializado autorizado.

El aparato debe ser utilizado únicamente con las mordazas de prensado montadas.

En caso de que durante la operación de prensado se produzca algún fallo, pulse inmediatamente el interruptor de peligro y suelte el interruptor de ENCENDIDO. La válvula se abre y el émbolo se vuelve a desplazar a la posición inicial.

El mantenimiento y los intervalos de mantenimiento se deben observar obligatoriamente.

Retire la batería antes de comenzar cualquier trabajo el aparato.

INDICACIONES PARA EL TRABAJO

Utilice exclusivamente piezas de empalme y mordazas de prensado apropiadas para el sistema de prensado con el que va a trabajar.

Las instrucciones de procesamiento y montaje para piezas de empalme o tubos se encuentran en la documentación del fabricante del sistema.

Compruebe que el ancho nominal de la pieza de empalme coincida con el ancho nominal de la mordaza de prensado.

Tras finalizar completamente el proceso de prensado, asegurarse de que la mordaza de prensado está totalmente cerrada.

Las uniones de tubos mal realizadas se deben prensar nuevamente con una nueva pieza de empalme.

Al finalizar los trabajos de instalación debe comprobar la estanqueidad del sistema de tubos con medios de verificación apropiados.

El aparato de prensado no es adecuado para un funcionamiento continuo. Tras 30 minutos de funcionamiento ininterrumpido debe realizarse una pausa breve de al menos 15 minutos para que el aparato se pueda enfriar.

APLICACIÓN DE ACUERDO A LA FINALIDAD

Los aparatos y las mordazas de prensado deben ser utilizados únicamente para el prensado de tubos y piezas de empalme que sean compatibles con las correspondientes mordazas de prensado.

Los aparatos de prensado han sido concebidos exclusivamente para ser utilizados con mordazas de prensado que hayan sido declaradas como apropiadas por Milwaukee de acuerdo con el fabricante del sistema.

BATERÍA

Las baterías no utilizadas durante cierto tiempo deben ser recargadas antes de usar.

Las temperaturas superiores a 50°C reducen el rendimiento de la batería. Evite una exposición excesiva a fuentes de calor o al sol (riesgo de sobrecalentamiento).

Los puntos de contacto de los cargadores y las baterías se deben mantener limpios.

Para un tiempo óptimo de vida, deberán cargarse las baterías completamente después de su uso.

Para garantizar la máxima capacidad y vida útil, las baterías recargables se deberían retirar del cargador una vez finalizada la carga.

En caso de almacenar la batería recargable más de 30 días: Almacenar la batería recargable en un lugar seco a una temperatura de

aproximadamente 27°C. Almacenar la batería recargable con un estado de carga del 30% y 50% aproximadamente. Recargar la batería cada 6 meses. No tire las baterías usadas a la basura ni al fuego. Los Distribuidores Milwaukee ofrecen un servicio de recogida de baterías antiguas para proteger el medio ambiente.

No almacene la batería con objetos metálicos (riesgo de cortocircuito).

Recargar solamente los acumuladores del Sistema M18 en cargadores M18. No intentar recargar acumuladores de otros sistemas.

No abra nunca las baterías ni los cargadores y guárdelos sólo en lugares secos. Protéjalos de la humedad en todo momento.

En caso de sobrecarga o alta temperatura, pueden llegar a producirse escapes de ácido provenientes de la batería. En caso de contacto con éste, limpie inmediatamente la zona con agua y jabón.

Si el contacto es en los ojos, límpiese concienzudamente con agua durante 10 minutos y acuda inmediatamente a un médico

No introduzca en la cavidad del cargador objetos metálicos (riesgo de cortocircuito).

TRANSPORTE DE BATERÍAS DE IONES DE LITIO

Las baterías de iones de litio caen bajo las disposiciones legales relativas al transporte de mercancías peligrosas.

El transporte de estas baterías recargables debe llevarse a cabo, observando las normas y disposiciones locales, nacionales e internacionales.

Los consumidores pueden transportar estas baterías recargables sin el menor reparo en la calle.

El transporte comercial de baterías recargables de iones de litio por empresas de transportes está sometido a las disposiciones del transporte de mercancías peligrosas. Las preparaciones para el envío y el transporte deben ser llevados a cabo exclusivamente por personas instruidas adecuadamente. El proceso completo debe ser supervisado por personal competente.

Los siguientes puntos se deben observar para el transporte de las baterías recargables:

Se debe asegurar que los contactos estén protegidos y aislados para evitar que se produzcan cortocircuitos. Preste atención a que el conjunto de baterías recargables no se pueda desplazar dentro del envase. Las baterías recargables deterioradas o derramadas no se deben transportar. Rogamos que para cualquier información adicional se dirija a su empresa de transportes.

MANTENIMIENTO

Controle que las mordazas y los rodillos de prensado se mueven libremente.

Una vez finalizados los trabajos, limpiar y engrasar los rodillos de prensado, los pasadores y las mordazas de prensado.

Los trabajos de mantenimiento y reparación deben ser realizados únicamente por talleres especializados autorizados.

El aparato contiene aceite hidráulico que supone un peligro para las aguas subterráneas. La evacuación incontrolada o eliminación inadecuada se penalizan legalmente.

En el aparato de prensado se indica el próximo mantenimiento. Este mantenimiento se debe realizar al menos cada 2 años o como muy tarde si esto se señala mediante la indicación LED.

Sustituir las herramientas de prensado desgastadas.

Las ranuras de ventilación de la máquina deben estar despejadas en todo momento.

Utilice solamente accesorios y repuestos Milwaukee. En caso de necesitar reemplazar componentes no descritos, contacte con cualquiera de nuestras estaciones de servicio Milwaukee (consultar lista de servicio técnicos)

En caso necesario, puede solicitar un despiece de la herramienta. Por favor indique el número de impreso que hay en la etiqueta y pida el despiece a la siguiente dirección: Techtronic Industries GmbH, Max-Eyth-Straße 10, 71364 Winnenden, Germany.

DECLARACION DE CONFORMIDAD CE

Declaramos bajo nuestra única responsabilidad que el producto descrito bajo „Datos técnicos“ cumple todas las disposiciones pertinentes de las directivas

2011/65/EU (RoHS)

2006/42/CE

2014/30/EU

y que se han implementado y estándares

EN 60745-1:2009 + A11:2010

EN ISO 12100:2010

EN 55014-1:2017+A11:2020

EN 55014-2:2015

EN IEC 63000:2018



Winnenden, 2021-08-19

Alexander Krug / Managing Director

Autorizado para la redacción de los documentos técnicos.

Techtronic Industries GmbH

Max-Eyth-Straße 10, 71364 Winnenden, Germany

SÍMBOLOS



Lea las instrucciones detenidamente antes de conectar la herramienta



¡ATENCIÓN! ¡ADVERTENCIA! ¡PELIGRO!



Retire la batería antes de comenzar cualquier trabajo el aparato.



ADVERTENCIA!

Peligro de lesiones por esquivras que pudieran salir despedidas.



¡Advertencia! Peligro de aplastamiento



Accesorio - No incluido en el equipo estándar, disponible en la gama de accesorios.



Para trabajar con la máquina, utilizar siempre gafas de protección.



Etiqueta de mantenimiento



Los aparatos eléctricos no se deben eliminar junto con la basura doméstica. Los aparatos eléctricos y electrónicos se deben recoger por separado y se deben entregar a una empresa de reciclaje para una eliminación respetuosa con el medio ambiente. Infórmese en las autoridades locales o en su tienda especializada sobre los centros de reciclaje y puntos de recogida.



Marcado de conformidad europeo



Marcado de conformidad británico



Marcado de conformidad ucraniano



Marcado de conformidad euroasiático



E

CARACTERÍSTICAS TÉCNICAS Aparelho de pressão	M18 BLHPT
Número de produção	4524 10 03 000001-999999
Tensão do acumulador	18 V
Consumo de potência	450 W
Força nominal	32 kN
Área de pressão : Ø Plásticos & tubos compostos Ø Metal até	63 mm (110 mm) 54 mm (108 mm) em função do sistema
Peso nos termos do procedimento-EPTA 01/2014 (Li-Ion 2,0 Ah)	2,9 kg
Peso (M18 BLHPT / Li-Ion 2.0 Ah / J18-Th14)	4,7 kg
Informações sobre ruído Valores de medida de acordo com EN 60745. O nível de ruído avaliado A do aparelho é tipicamente:	
Nível da pressão de ruído (Incertez K=3dB(A))	76,5 dB (A)
Nível da potência de ruído (Incertez K=3dB(A))	87,5 dB (A)
Use protectores auriculares!	
Informações sobre vibração Valores totais de vibração (soma dos vectores das três direcções) determinadas conforme EN 60745.	
Valor de emissão de vibração _n	<2,5 m/s ²
Incerteza K=	1,5 m/s ²



Por

ATENÇÃO!

O nível vibratório indicado nestas instruções foi medido em conformidade com um procedimento de medição normalizado na EN 60745 e pode ser utilizado para comparar entre si ferramentas eléctricas. O mesmo é também adequado para avaliar provisoriamente o esforço vibratório.

O nível vibratório indicado representa as principais aplicações da ferramenta eléctrica. Se, no entanto, a ferramenta eléctrica for utilizada para outras aplicações, com outras ferramentas adaptadas ou uma manutenção insuficiente, o nível vibratório poderá divergir. Isto pode aumentar consideravelmente o esforço vibratório ao longo de todo o período do trabalho.

Para uma avaliação exacta do esforço vibratório devem também ser considerados os tempos durante os quais o aparelho está desligado ou está a funcionar, mas não está efectivamente a ser utilizado. Isto pode reduzir consideravelmente o esforço vibratório ao longo de todo o período do trabalho.

Defina medidas de segurança suplementares para proteger o operador do efeito das vibrações, como por exemplo: manutenção da ferramenta eléctrica e das ferramentas adaptadas, manter as mãos quentes, organização das sequências de trabalho.



ATENÇÃO! Leia todas as instruções de segurança e todas as instruções. O desrespeito das advertências e instruções apresentadas abaixo pode causar choque eléctrico, incêndio e/ou graves lesões. **Guarde bem todas as advertências e instruções para futura referência.**



AVISOS DE SEGURANÇA DO DISPOSITIVO DE PRESSÃO

Utilizar equipamento de protecção. Durante os trabalhos com a máquina, usar sempre óculos de protecção. Vestuário de protecção, bem como máscara de pó, sapatos fechados e antiderrapante, capacete e protecção auditiva são recomendados.

Nunca coloque os dedos ou outras partes do corpo na área de trabalho do cilindro e dos mordentes de prensar.

Não segure as alavancas dos mordentes com as mãos durante o processo de prensagem.

Ferramentas e aparelhos de prensar só devem ser usados por uma pessoa especializada.

Antes de qualquer uso verifique se há fissuras ou outros desgastes das ferramentas e dos aparelhos de prensar.

As ferramentas e os aparelhos de prensar só devem ser usados em estado técnico perfeito

Deixe uma oficina especializada reparar os danos imediatamente.

O aparelho só deve ser usado com o mordente de prensar inserido.

Em caso de falhas durante o processo de prensagem, pressione imediatamente o interruptor de perigo e solte o interruptor de LIGAR. A válvula abre e o êmbolo volta à posição inicial.

Sempre observe a manutenção e os intervalos de manutenção.

Antes de efectuar qualquer intervenção o aparelho retirar o bloco acumulador.

DICAS DE TRABALHO

Somente use os inserts apropriados para o sistema e os mordentes correspondentes.

As instruções de processamento e montagem para inserts ou tubos constam nos documentos do oferecedor do sistema.

Verifique, se a largura nominal do inserto corresponde com a largura nominal do mordente de prensar.

Terminada a prensagem, observe que os mordentes de prensar estejam completamente fechados.

União de tubos incorrectas devem ser prensadas novamente com um inserto novo.

Após a conclusão dos trabalhos de instalação, verifique a estanqueidade do sistema de tubos com os agentes de teste correspondentes.

O aparelho de prensar não é apropriado para o uso permanente. Após uma operação contínua de 30 minutos, deverá ser feita uma pausa de pelo menos 15 minutos para deixar o aparelho arrefecer.

UTILIZAÇÃO AUTORIZADA

Os aparelhos e os mordentes de prensar devem ser usados exclusivamente para prensar tubos e inserts que correspondam com os mordentes de prensar.

Os aparelhos de prensar destinam-se exclusivamente ao uso de mordentes de prensar declarados apropriados pela Milwaukee, de acordo com o oferecedor do sistema.

ACUMULADOR

Acumuladores não utilizados durante algum tempo devem ser recarregados antes da sua utilização.

Temperaturas acima de 50°C reduzem a capacidade do bloco acumulador. Evitar exposição prolongada ao sol ou a caloríferos.

Manter limpos os contactos eléctricos no carregador e no bloco acumulador.

Para uma vida útil óptima das baterias, terá que carregá-las plenamente após a sua utilização.

Para assegurar uma vida útil longa, o pacote de bateria deve ser removido da carregadora depois do carregamento.

Se o pacote de bateria for armazenado por mais de 30 dias: Armazene o pacote de bateria com aprox. 27°C em um lugar seco. Armazene o pacote de bateria com aprox. 30%-50% da carga completa. Carregue o pacote de bateria novamente de 6 em 6 meses.

Português

Não queimar acumuladores gastos nem deitá-los no lixo doméstico. A Milwaukee possui uma eliminação de acumuladores gastos que respeita o meio ambiente.

Não guardar acumuladores junto com objectos metálicos (perigo de curto-circuito).

Use apenas carregadores do Sistema M18 para recarregar os acumuladores do Sistema M18. Não utilize acumuladores de outros sistemas.

Carregadores só devem ser utilizados em recintos secos.

Em caso de cargas ou temperaturas extremas, um acumulador de substituição danificado poderá verter líquido de bateria. Se entrar em contacto com este líquido, deverá lavar-se imediatamente com água e sabão. Em caso de contacto com os olhos, enxagúe-os bem e de imediato durante pelo menos 10 minutos e consulte um médico o mais depressa possível.

Não abrir acumuladores e carregadores. Armazená-los em recintos secos. Protegê-los contra humidade.

TRANSPORTE DE BATERIAS DE IÃO-LÍTIU

Baterias de ião-lítio estão sujeitas às disposições da legislação relativa às substâncias perigosas.

O transporte destas baterias deve ser efetuado de acordo com as disposições e os regulamentos locais, nacionais e internacionais. O utilizador pode efetuar o transporte rodoviário destas baterias sem restrições.

O transporte comercial de baterias de ião-lítio por terceiros está sujeito aos regulamentos relativos às substâncias perigosas. A preparação do transporte e o transporte devem ser executados exclusivamente por pessoas instruídas e o processo deve ser acompanhado pelos especialistas correspondentes.

Observe o seguinte no transporte de baterias:

Assegure-se de que os contactos terminais estejam protegidos e isolados para evitar um curto-circuito. Assegure-se de que o bloco da bateria esteja protegido contra movimentos na embalagem. Não transporte baterias danificadas ou que tenham fuga. Para instruções mais detalhadas consulte a companhia de transportes

MANUTENÇÃO

Verifique a marcha suave dos mordentes e dos roletes de prensar.

Após a conclusão dos trabalhos, limpe e lubrifique com gordura os roletes de prensar, os trincos e os mordentes de prensar.

Trabalhos de manutenção e reparação só devem ser executados por oficinas autorizadas.

O aparelho contém óleo hidráulico que representa um perigo para o lençol freático. Uma evacuação descontrolada ou eliminação incorrecta é punível.

No aparelho de prensar é indicada a próxima manutenção. Esta manutenção deve ser executada de 2 em 2 anos ou, o mais tardar, quando o indicador LED o indicar.

Substitua as ferramentas de prensar desgastadas.

Manter desobstruídos os rasgos de ventilação na carcaça da máquina.

Utilizar apenas acessórios Milwaukee e peças sobresselentes Milwaukee. Os componentes cuja substituição não esteja descrita devem ser substituídos num serviço de assistência técnica Milwaukee (consultar a brochura relativa à garantia/moradas dos serviços de assistência técnica).

A pedido e mediante indicação da referência que consta da chapa de características da máquina, pode requerer-se um desenho explosivo da ferramenta eléctrica a: Techtronic Industries GmbH, Max-Eyth-Straße 10, 71364 Winnenden, Germany.

DECLARAÇÃO DE CONFORMIDADE CE

Declaramos, sob a nossa inteira responsabilidade, que o produto descrito em «Dados Técnicos» cumpre todas as disposições relevantes das diretivas

2011/65/EU (RoHS)

2006/42/CE

2014/30/EU

tendo sido seguidas as seguintes normas harmonizadas

EN 60745-1:2009 + A11:2010

EN ISO 12100:2010

EN 55014-1:2017+A11:2020

EN 55014-2:2015

EN IEC 63000:2018



Winnenden, 2021-08-19

Alexander Krug / Managing Director

Autorizado a reunir a documentação técnica.

Techtronic Industries GmbH

Max-Eyth-Straße 10, 71364 Winnenden, Germany

SYMBOLS



Leia atentamente o manual de instruções antes de colocar a máquina em funcionamento.



ATENÇÃO! PERIGO!



Antes de efectuar qualquer intervenção o aparelho retirar o bloco acumulador.



ATENÇÃO!

Existe perigo de ferimentos devido a estilhaços de corte



Aviso! Perigo de esmagamento



Acessório - Não incluído no equipamento normal, disponível como acessório.



Usar sempre óculos de protecção ao trabalhar com a máquina.



Autocolante de aviso



Aparelhos eléctricos não devem ser jogados no lixo doméstico.

Aparelhos eléctricos e electrónicos devem ser colectados separadamente e entregues a uma empresa de reciclagem para a eliminação correcta. Solicite informações sobre empresas de reciclagem e postos de colecta de lixo das autoridades locais ou do seu vendedor autorizado.



Marca de Conformidade Europeia



Marca de Conformidade Britânica



Marca de Conformidade Ucraniana



Marca de Conformidade Eurasiática



TECHNISCHE GEGEVENS	M18 BLHPT
Persmachine	
Productienummer	4524 10 03 000001-999999
Spanning wisselakku	18 V
Opgenomen vermogen	450 W
Nominale kracht	32 kN
Persbereik : Ø Kunststof & composietbuizen Ø Metaal tot	63 mm (110 mm) 54 mm (108 mm) afhankelijk van het systeem
Gewicht volgens de EPTA-procedure 01/2014 (Li-Ion 2,0 Ah)	2,9 kg
Gewicht (M18 BLHPT / Li-Ion 2,0 Ah / J18-Th14)	4,7 kg
Geluidsinformatie	
Meetwaarden vastgesteld volgens EN 60745. Het kenmerkende A-gewogen geluidsniveau van de machine bedraagt:	
Geluidsdrukniveau (Onzekerheid K=3dB(A))	76,5 dB (A)
Geluidsvermogniveau (Onzekerheid K=3dB(A))	87,5 dB (A)
Draag oorbeschermers!	
Trillingsinformatie	
Totale trillingswaarden (vectorsom van drie richtingebepaald volgens EN 60745.	
Trillingsemisiewaarde _h	<2,5 m/s ²
Onzekerheid K=	1,5 m/s ²

WAARSCHUWING!

De in deze aanwijzingen vermelde trillingsdruk is gemeten volgens een in EN 60745 genormeerde meetmethode en kan worden gebruikt voor de onderlinge vergelijking van apparaten. Hij is ook geschikt voor een voorlopige inschatting van de trillingsbelasting.

De aangegeven trillingsdruk geldt voor de meest gebruikelijke toepassingen van het elektrische apparaat. Wanneer het elektrische gereedschap echter voor andere doeleinden, met andere dan de voorgeschreven hulpstukken gebruikt of niet naar behoren onderhouden wordt, kan de trillingsdruk afwijken. Dit kan de waarde van de trillingsdruk over de hele werkperiode aanzienlijk verhogen.

Voor een nauwkeurige inschatting van de trillingsdruk moeten ook de tijden in aanmerking worden genomen dat het apparaat uitgeschakeld is of weliswaar loopt, maar niet werkelijk in gebruik is. Dit kan de waarde van de trillingsdruk over de hele werkperiode aanzienlijk verminderen.

Bepaal extra veiligheidsmaatregelen ter bescherming van de bediener tegen de inwerking van trillingen, bijvoorbeeld: onderhoud van elektrische gereedschappen en apparaten, warmhouden van de handen, organisatie van de werkprocessen.

⚠ WAARSCHUWING! Lees alle veiligheidsinstructies en aanwijzingen door. Als de waarschuwingen en voorschriften niet worden opgevolgd, kan dit een elektrische schok, brand of ernstig letsel tot gevolg hebben. **Bewaar alle waarschuwingen en voorschriften voor toekomstig gebruik.**

⚠ VEILIGHEIDSWAARSCHUWINGEN PERSAPPARAAT

Draag veiligheidsuitrusting. Bij werkzaamheden met de machine dient u altijd een veiligheidsbril te dragen. Veiligheidskleding zoals stofmasker, veiligheidshandschoenen, stevig en slipvast schoeisel, helm en gehoorbescherming worden aanbevolen.

Houd vingers en andere lichaamsdelen altijd verwijderd van het werkbereik van de cilinder en de persbek.

Houd de persbekhendel tijdens het persen niet met de hand vast. Persgereedschap en -apparaten mogen uitsluitend worden gebruikt door vakpersoneel.

Controleer persgereedschappen en -apparaten vóór elk gebruik zorgvuldig op scheuren en andere slijtageverschijnselen.

Gebruik alleen in optimale staat verkerende persgereedschappen en -apparaten.

Laat beschadigingen onmiddellijk verhelpen in een geautoriseerde werkplaats.

Het apparaat mag alleen worden gebruikt met geplaatste persbek.

Druk bij storingen tijdens het persen onmiddellijk op de nood-schakelaar en laat de IN-schakelaar los. De klep opent en de zuiger stuurt terug naar zijn uitgangspositie.

Houd u strikt aan de onderhouds- en instandhoudingsinstructies.

Voor alle werkzaamheden aan de apparat de akku verwijderen.

ARBEIDSinSTRUCTIES

Gebruik alleen systeemconforme persfittings en daarvoor geconfigureerde persbekken.

Voor de verwerkings- en montage-instructies voor fittingen en buizen verwijzen wij naar de documentatie van de systeemaanbieder.

Controleer of de nominale wijidte van de persfitting overeenstemt met de nominale wijidte van de persbek.

Na het persen dient u erop te letten dat de persbek volledig gesloten is.

Niet correct uitgevoerde buisverbindingen moeten met een nieuwe fitting nogmaals verperst worden.

Controleer het buissysteem na beëindiging van de installatie-werkzaamheden met daarvoor geschikte controlemiddelen op dichtheid.

Het persapparaat is niet geschikt voor continuegebruik. Na 30 minuten ononderbroken gebruik moet een pauze van minstens 15 minuten worden ingelast, zodat het apparaat kan afkoelen.

VOORGESCHREVEN GEBRUIK VAN HET SYSTEEM

De persapparaten en de persbekken mogen alléén worden gebruikt voor het persen van buizen en fittingen, waarvoor de betreffende persbekken bedoeld zijn.

De persapparaten zijn uitsluitend geschikt voor het gebruik van persbekken die door Milwaukee in overeenstemming met de systeemaanbieder als geschikt worden verklaard.

AKKU

Langere tijd niet toegepaste wisselakku's vóór gebruik altijd naladen.

Een temperatuur boven de 50°C vermindert de capaciteit van de accu. Langdurige verwarming door zon of hitte vermijden.

De aansluitcontacten aan het laadapparaat en de akku schoonhouden.

Voor een optimale levensduur moeten de accu's na het gebruik volledig opgeladen worden.

Voor een zo lang mogelijke levensduur van de accu's dienen deze na het opladen uit het laadtoestel te worden verwijderd.

Bij een langere opslag van de accu dan 30 dagen: accu bij ca. 27 °C droog bewaren. accu bij ca. 30 % - 50 % van de laadtoestand bewaren. accu om de 6 maanden opnieuw opladen.

Verbruikte akku's niet in het vuur of bij het huisvuil werpen.

Milwaukee biedt namelijk een milieuvriendelijke recyclingmethode voor uw oude akku's.

Wisselakku's niet bij metalen voorwerpen bewaren (kortsluitings-gevaar!) .

Wisselakku's van het Akku-Systeem M18 alléén met laadapparaten van het Akku-Systeem M18 laden. Geen akku's van andere systemen laden.

Wisselakku's en laadapparaten niet openen en alleen in droge ruimtes opslaan. Tegen vocht beschermen.

Onder extreme belasting of extreme temperaturen kan uit de accu accu-vloeistof lopen. Na contact met accu-vloeistof direct afwassen met water en zeep. Bij oogcontact direct minstens 10 minuten grondig spoelen en onmiddellijk een arts raadplegen.

In de wisselakku-opnameschacht van het laadapparaat mogen géén metaaldeeltjes komen (kortsluitingsgevaar!).

TRANSPORT VAN LITHIUM-IONEN-ACCU'S

Lithium-ionen-accu's vallen onder de wettelijke bepalingen inzake het transport van gevaarlijke goederen.

Voor het transport van deze accu's moeten de lokale, nationale en internationale voorschriften en bepalingen in acht worden genomen.

Verbruikers mogen deze accu's zonder meer over de weg transporteren.

Het commerciële transport van lithium-ionen-accu's door expeditiebedrijven is onderhevig aan de bepalingen inzake het transport van gevaarlijke goederen. De verzendingsvoorbereidingen en het transport mogen uitsluitend worden uitgevoerd door dienovereenkomstig opgeleide personen. Het complete proces moet vakkundig worden begeleid.

Onderstaande punten moeten bij het transport van accu's in acht worden genomen:

Waarborg ter vermindering van kortsluitingen dat de contacten beschermd en geïsoleerd zijn. Let op dat het accupack in de verpakking niet kan verschuiven. Beschadigde of lekkende accu's mogen niet worden getransporteerd. Neem voor meer informatie contact op met uw expeditiebedrijf.

ONDERHOUD

Controleer de soepele werking van de persbekken en persrollen. Reinig de persrollen, knevels en persbekken na het gebruik en vet ze in.

Onderhouds- en reparatiewerkzaamheden mogen uitsluitend worden uitgevoerd in een geautoriseerde werkplaats.

Het apparaat bevat hydrauliekolie die een bedreiging vormt voor het grondwater. Ongecontroleerd afblazen of incorrecte afvalverwijdering kan worden bestraft.

Op het persapparaat staat de volgende onderhoudstermijn aangegeven. Dit onderhoud moet minstens om de twee jaar worden uitgevoerd of uiterlijk als dit door de led-indicator wordt signaleerd.

Vervang versleten persgereedschap.

Altijd de luchtspleten van de machine schoonhouden.

Gebruik uitsluitend Milwaukee toebehoren en onderdelen. Indien componenten die moeten worden vervangen niet zijn beschreven, neem dan contact op met een officieel Milwaukee servicecentrum (zie onze lijst met servicecentra).

Onder vermelding van het nummer op het machineplaatje is desgewenst een doorsnedetekening van de machine verkrijgbaar bij: Techtronic Industries GmbH, Max-Eyth-Straße 10, 71364 Winnenden, Germany.

EC - VERKLARING VAN OVEREENSTEMMING

We verklaren geheel onder eigen verantwoordelijkheid dat het product in de "Technische data" voldoet aan alle relevante bepalingen van de richtlijnen

2011/65/EU (RoHS)

2006/42/EG

2014/30/EU

en de volgende geharmoniseerde normen zijn gebruikt.

EN 60745-1:2009 + A11:2010

EN ISO 12100:2010

EN 55014-1:2017+A11:2020

EN 55014-2:2015

EN IEC 63000:2018



Winnenden, 2021-08-19

Alexander Krug / Managing Director

Gemachtigd voor samenstelling van de technische documenten

Techtronic Industries GmbH

Max-Eyth-Straße 10, 71364 Winnenden, Germany

SYMBOLLEN



Graag instructies zorgvuldig doorlezen vóórdat u de machine in gebruik neemt.



OPGELET! WAARSCHUWING! GEVAAR!



Voor alle werkzaamheden aan de apparat de accu verwijderen.



WAARSCHUWING!

Verwondingsgevaar door wegvliegende brokstukken



Waarschuwing! Gevaar voor bekneld raken



Toebehoren - Wordt niet meegeleverd. Is apart leverbaar. Zie hiervoor het toebehorenprogramma.



Bij het werken met de machine altijd een veiligheidsbril dragen.



Onderhoudsstickertje



Elektrische apparaten mogen niet via het huisafval worden afgevoerd. Elektrische en elektronische apparaten moeten gescheiden worden verzameld en voor een milieuvriendelijke afvoer worden afgevoerd bij een recyclingbedrijf. Informeer bij uw gemeente of bij uw vakhandelaar naar recyclingbedrijven en inzamel punten.



Europees symbool van overeenstemming



Brits symbool van overeenstemming



Oekraïens symbool van overeenstemming



Euro-Aziatisch symbool van overeenstemming



TEKNISKE DATA Klemapparat	M18 BLHPT
Produktionsnummer	4524 10 03 000001-999999
Udskiftningsbatteriets spænding	18 V
Strømforbrug	450 W
Nominal kraft	32 kN
Klemmeområde : Ø Plastic & Kompositrør Ø Metal indtil	63 mm (110 mm) 54 mm (108 mm) systemafhængig
Vægt svarer til EPTA-procedure 01/2014 (Li-Ion 2,0 Ah)	2,9 kg
Vægt (M18 BLHPT / Li-Ion 2,0 Ah / J18-Th14)	4,7 kg
Støjinformation Måleværdier beregnes iht. EN 60745. Værktøjets A-vurderede støjniveau er typisk:	
Lydtrykniveau (Usikkerhed K=3dB(A))	76,5 dB (A)
Lydeffekt niveau (Usikkerhed K=3dB(A))	87,5 dB (A)
Brug høreværn!	
Vibrationsinformation Samlede vibrationsværdier (værdisum for tre retninger) beregnet iht. EN 60745.	
Vibrationsseksponering _a	<2,5 m/s ²
Usikkerhed K=	1,5 m/s ²



ADVARSEL!

Svingningsniveauet, som er angivet i disse anvisninger, er målt i henhold til standardiseret måleprocedure ifølge EN 60745 og kan anvendes til indbyrdes sammenligning mellem el-værktøjer. Svingningsniveauet er ligeledes egnet som foreløbigt skøn over svingningsbelastningen.

Det angivne svingningsniveau er baseret på el-værktøjets primære anvendelsesformål. Hvis el-værktøjet benyttes til andre formål, med andet indsatsværktøj eller ikke vedligeholdes tilstrækkeligt, kan svingningsniveauet afvige. Dette kan øge svingningsbelastningen over den samlede arbejdsperiode betydeligt.

For en nøjagtig vurdering af svingningsbelastningen skal der også tages højde for de tidsperioder, hvor apparatet er slukket, eller hvor apparatet kører, men uden at være i anvendelse. Dette kan reducere svingningsbelastningen over den samlede arbejdsperiode betydeligt.

Supplerende sikkerhedsforanstaltninger til beskyttelse af brugeren mod påvirkninger fra svingninger skal iværksættes, f.eks.:

Vedligeholdelse af el-værktøj og indsatsværktøj, varmholdelse af hænder, organisering af arbejdsprocesser.

⚠ ADVARSEL! Læs alle sikkerhedsanvisninger og øvrige vejledninger. I tilfælde af manglende overholdelse af advarselshenvisningerne og instrukserne er der risiko for elektrisk stød, brand og/eller alvorlige kvæstelser. **Opbevar alle advarselshenvisninger og instrukser til senere brug.**

⚠ PRESSEANORDNINGSSIKKERHEDSADVARSLER

Brug beskyttelsesudstyr. Bær altid sikkerhedsbriller, når du arbejder med maskinen. Vi anbefaler desuden brug af personlig beskyttelsesudrustning, såsom støvmaske, sikkerhedshandsker, fast og skridsikkert skotøj, hjelm og høreværn.

Stik aldrig fingre eller andre kroppsdele ind i cylinderens og pressebakkerens arbejdsområde.

Hold ikke bakkéhåndtaget fast med hænderne under presningen.

Presseværktøj og pressemaskiner må kun anvendes af uddannet personale.

Undersøg før hver brug presseværktøj og pressemaskiner for revner og andre tegn på slitage.

Anvend kun presseværktøj og pressemaskiner i en teknisk upåklagelig tilstand.

Lad straks beskadigelser reparere på et autoriseret værksted.

Maskinen må kun bruges med isat pressebakke.

Tryk ved forstyrrelser under presningen straks på nødstop-knappen og slip TÆND-kontakten. Ventilen vil åbne og stemplet vende tilbage i sin udgangsposition.

Service og serviceintervaller skal ubetinget overholdes.

Ved arbejde inden i maskinen, bør batteriet tages ud.

ARBEJDSANVISNINGER

Brug kun systemkompatible pressefittings samt pressebakker, der er dimensioneret til disse.

Forarbejdnings- og monteringsinstruktionerne for fittings eller rør fremgår af dokumenterne fra systemleverandøren.

Kontrollér, at pressefittingsens nominelle bredde svarer til pressebakkes nominelle bredde.

Vær opmærksom på, at pressebakken er lukket helt, når presningen er afsluttet.

Ikke korrekte rørsamlinger skal presses igen med en ny fitting.

Tjek efter afslutningen på installationen rørsystemet for tæthed med et egnet prøvedstyr.

Pressemaskinen er ikke egnet til kontinuerlig drift. Efter 30 minutters uafbrudt drift skal der holdes en kort pause på mindst 15 minutter, sådan at maskinen kan køle af.

TILTÆNKT FORMÅL

Pressemaskinerne og pressebakkerne må kun bruges til presning af rør og fittings, som de pågældende pressebakker er bestemt til.

Pressemaskinerne er kun bestemt til brug med pressebakker, der er godkendt som egnede af Milwaukee i overensstemmelse med systemleverandøren.

BATTERI

Udskiftningsbatterier, der ikke har været brugt i længere tid, efterlades inden brug.

Ved temperaturer over 50°C formindskes batteriets effekt. Undgå direkte sollys og stærk varme.

Tilslutningskontakterne på opladere og udskiftningsbatterier skal holdes rene.

For at opnå en optimal levetid skal de genopladelige batterier oplades fuldt efter brug.

For at sikre en så lang levetid som muligt skal batterierne tages ud af ladeaggregatet efter opladning.

Skal batterierne opbevares længere end 30 dage: Temperatur ca. 27°C i tørre omgivelser. Opbevares ved ca. 30%-50% af ladetilstanden. Batteri skal genoplades hver 6. måned.

Opbrugte udskiftningsbatterier må ikke brændes eller kasseres sammen med alm. husholdningsaffald. Milwaukee har en miljørigtig bortskaffelse af gamle udskiftningsbatterier, henvend Dem til Deres forhandler.

Opbevar ikke udskiftningsbatterier sammen med metalgenstande af fare for kortslutning.

Brug kun M18 ladeapparater for opladning af System M18 batterier. Udskiftningsbatterier og opladere må ikke åbnes og skal opbevares i tørre rum. Beskyt dem mod fugtighed.

I tilfælde af en ekstrem belastning eller ekstrem temperatur kan der flyde batterivæske ud af et beskadiget batteri. Hvis De

kommer i berøring med batterivæsken, skal den vaskes godt og grundigt af med vand og sæbe. I tilfælde af øjenkontakt, skal man mindst skylle øjnene godt og grundigt igennem i 10 minutter og omgående opsøge en læge.

Metaldele o. lign. må ikke komme i berøring med rummet beregnet for udskiftningsbatteriet (kortslutningsfare).

TRANSPORT AF LITHIUM-BATTERIER

Lithium-batterier er omfattet af lovgivningen om transport af farligt gods.

Transporten af disse batterier skal ske under overholdelse af lokale, nationale og internationale regler og bestemmelser.

Forbrugere må transportere disse batterier på veje uden yderligere krav.

Den kommercielle transport af lithium-batterier ved speditorsfirmaer er omfattet af reglerne for transport af farligt gods. Forberedelsen af forsendelse og transport må kun udføres af tilsvarende trænedte personer. Den samlede proces skal følges af fagfolk.

Følgende punkter skal overholdes ved transport af batterier: Sørg for at kontakterne er beskyttet og isoleret for at forhindre kortslutninger. Sørg for at batteripakken ikke kan bevæge sig inden for emballagen. Beskadigede eller lækkende batterier må ikke transporteres. Kontakt dit speditorsfirma for at få yderligere oplysninger.

VEDLIGEHOLDELSE

Tjek, at pressebakker og presseruller er letglidende.

Rengør og smør presserullerne, bolten og pressebakkerne, når arbejdet er afsluttet.

Service og reparationer må kun udføres af autoriserede serviceværksteder.

Maskinen indeholder hydraulikolie, som er til fare for grundvandet. Ukontrolleret udtømning eller ukorrekt bortskaffelse er strafbart ved lov.

På pressemaskinen angives den næste service. Denne service skal udføres mindst hvert 2. år eller senest, når dette signaliseres på LED-displayet.

Udskift slidt presseværktøj.

Hold altid maskinens ventilationsåbninger rene.

Brug kun Milwaukee-tilbehør og Milwaukee-reservedele. Komponenter, hvor udskiftningsproceduren ikke er beskrevet, skal skiftes ud hos et Milwaukee-servicested (se brochure garanti/kundeserviceadresser).

Ved opgivelse af type nr. der er angivet på maskinens effektskilt, kan de rekvirere en reservedelstegning, ved henvendelse til: Techtronic Industries GmbH, Max-Eyth-Straße 10, 71364 Winnenden, Germany.

CE-KONFORMITETSERKLÆRING

Vi erklærer som eneansvarlige, at produktet, som beskrives under „Tekniske data“, opfylder alle de relevante bestemmelser i direktiverne

2011/65/EU (RoHS)

2006/42/EF

2014/30/EU

og følgende harmoniserede standarder er blevet anvendt.

EN 60745-1:2009 + A11:2010

EN ISO 12100:2010

EN 55014-1:2017+A11:2020

EN 55014-2:2015

EN IEC 63000:2018



Winnenden, 2021-08-19

Alexander Krug / Managing Director
Autoriseret til at udarbejde de tekniske dokumenter.
Techtronic Industries GmbH
Max-Eyth-Straße 10, 71364 Winnenden, Germany

SYMBOLER



Læs brugsanvisningen nøje før ibrugtagning.



VIGTIGT! ADVARSEL! FARE!



Ved arbejde inden i maskinen, bør batteriet tages ud.



ADVARSEL!
Fare for kvæstelser på grund af omkringflyvende fragmenter.



Advarsel! Fare for knusning



Tilbehør - Ikke inkluderet i leveringsomfanget, køb købes som tilbehør.



Når der arbejdes med maskinen, skal man have beskyttelsesbriller på.



Servicemærkat



Elektrisk udstyr må ikke bortskaffes sammen med det almindelige husholdningsaffald. Elektrisk og elektronisk udstyr skal indsamles særskilt og afleveres hos en genbrugsvirksomhed til en miljømæssig forsvarlig bortskaffelse. Spørg de lokale myndigheder eller din forhandler om genbrugsstationer og indsamlingssteder til sådant affald.



Europæisk konformitetsmærke



Britisk konformitetsmærke



Ukrainsk konformitetsmærke



Eurasisk konformitetsmærke



Dan

TEKNISKE DATA Presstang	M18 BLHPT
Produksjonsnummer	4524 10 03 000001-999999
Spenning vekselbatteri	18 V
Ytelseopptak	450 W
Nominell kraft	32 kN
Pressområde: Ø Plast & komposittrør Ø Metall til	63 mm (110 mm) 54 mm (108 mm) systemavhengig
Vekt i henhold til EPTA-Prosedyren 01/2014 (Li-Ion 2,0 Ah)	2,9 kg
Vekt (M18 BLHPT / Li-Ion 2,0 Ah / J18-Th14)	4,7 kg
Støyinformasjon Måleverdier fastslått i samsvar med EN 60745. Det typiske A-bedomte støynivået for maskinen er:	
Lydtrykknivå (Usikkerhet K=3dB(A))	76,5 dB (A)
Lydeffektnivå (Usikkerhet K=3dB(A))	87,5 dB (A)
Bruk hørselsvern!	
Vibrasjonsinformasjon Totale svingningsverdier (vektorsum fra tre retninger) beregnet jf. EN 60745.	
Svingningsemissjonsverdi _a	<2,5 m/s ²
Usikkerhet K=	1,5 m/s ²



Nor

ADVARSEL!

Svingningsnivået som er angitt i denne instruksjonen er målt i overensstemmelse med målemetoden normert i direktiv EN 60745 og kan brukes til å sammenligne elektromaskiner med hverandre. Den egner seg også for en foreløbig vurdering av svingningsbelastningen. Det angitte svingningsnivået representerer de hovedsaklige bruk av elektroverktøyet. Men anvendes elektroverktøyet for andre bruk med avvikende utskiftbare verktøy eller vedlikeholdet er utilstrekkelig, kan svingningsnivået være avvikende.

Dette kan forhøye svingningsbelastning betydelig over hele arbeidsperioden. For en nøyaktig vurdering av svingningsbelastningen må også det tas hensyn til tiden apparatet er avslått eller står på, men ikke er i bruk. Dette kan redusere svingningsbelastningen betydelig over hele arbeidsperioden. Innfør også ekstra sikkerhetstiltak for å beskytte bruker mot utvirkingen av svingningene. Disse kan f.eks. være: vedlikehold av elektroverktøyet og det utskiftbare verktøyet, holde hendene varme, organisasjon av arbeidsforløpet.

⚠ ADVARSEL! Les alle sikkerhetsinstrukser og bruksanvisninger. Feil ved overholdelsen av advarslene og nedenstående anvisninger kan medføre elektriske støt, brann og/eller alvorlige skader. **Ta godt vare på alle advarslene og informasjonene.**

⚠ TRYKK PÅ ENHETENS SIKKERHETSADVARSLER

Bruk vernebekledning. Ta alltid på vernebrille ved bruk av maskinen. Vernebekledning så vel som støvmaske, vernehansker, fast og sklissikkert skotøy, hjem og hørselsvern er anbefalt.

Stikk aldri fingre eller andre kroppsdelene i arbeidsområdet til sylindere og pressbakkene.

Ikke hold fast bakkearmen med hendene mens pressingen pågår.

Pressverktøy og pressapparat skal bare brukes av en fagmann.

Før hver bruk skal pressverktøyene og pressapparatene kontrolleres om de har riss eller andre slitasjeskader.

Pressverktøyene og pressapparatene skal bare brukes når de er teknisk feilfri tilstand.

Skader skal med en gang repareres av et autorisert fagverksted.

Apparatet skal bare brukes med i satt pressbakke.

Trykk ved forstyrrelser som oppstår mens pressingen foregår med en gang farebryteren og slipp løs på-bryteren. Ventilen åpner seg og kolben går tilbake til utgangsposisjonen.

Vedlikehold og vedlikeholdsintervaller må alltid inneholdes.

Ta ut vekselbatteriet før du arbeider på maskinen

ARBEIDSLINSTRUKSJONER

Bruk bare systemkonforme pressfittings og de dertil passende pressbakkene.

Bearbeiding- og montasjeinstruksjoner for fittings eller rør er beskrevet i papirene til systemproduzenten.

Kontroller om nominell vidde til pressfittingen overensstemmer med pressbakkens nominell vidde.

Etter fullført sammenpressing må det passes på at pressbakken er fullstendig lukket.

Rørforbindelser som ikke er korrekte, må presset på nytt med en ny fitting.

Eller at installasjonsarbeidene er avsluttet skal rørsystemet kontrolleres på tetthet med et passende egnet kontrollmiddel.

Pressapparatet er ikke egnet for permanent drift. Etter 30 minutter permanent drift må det legges inn en pause på minst 15 minutter slik at apparatet kjøles ned.

FORMÅLSMESSIG BRUK

Pressapparatene og pressbakkene skal bare utelukkende brukes til sammenpressing av rør og fittings som de respektive pressbakkene er planlagt til.

Pressapparatene er utelukkende planlagt for bruk av de pressbakkene som Milwaukee i overensstemmelse med systemproduzenten har erklært er egnet for dette.

BATTERIER

Vekselbatterier som ikke er brukt over lengre tid skal etterlades før bruk.

En temperatur over 50°C reduserer vekselbatteriets kapasitet.

Unngå oppvarming i sol eller ved varmeovner (fyring) i lengre tid. Hold tilkoplingskontaktene på lader og vekselbatteri rene.

For optimal holdbarhet må batteriene lades opp helt etter bruk.

For å sikre en lengst mulig brukstid av batteriene skal disse etter oppladning taes ut av laderen.

Ved lagring av batteriene lengre enn 30 dager: Lagre batteriet tørt ved ca. 27°C. Lagre batteriet ved en oppladningstilstand på ca. 30%-50%. Lade opp batteriet igjen etter 6 måneder.

Ikke kast brukte vekselbatterier i varmen eller husholdningsavfallet. Milwaukee tilbyr en miljøriktig deponering av gamle vekselbatterier; vennligst spør din fagforhandler.

Ikke oppbevar vekselbatterier sammen med metallgjenstander (kortslutningsfare).

Vekselbatterier av systemet M18 skal kun lades med lader av systemet M18. Ikke lad opp batterier fra andre systemer.

Ikke åpne vekselbatterier og ladere, de skal oppbevares i tørre rom. Beskyttes mot fuktighet.

Under ekstreme belastninger og ekstreme temperaturer kan det lekke ut batterivæske fra utskiftbare batterier. Ved berøring med batterivæske, vask umiddelbart med såpe og vann. Ved kontakt med øynene må øynene skylles grundig i rennende vann i minst 10 minutter. Oppsøk lege umiddelbart.

Metalldeleer må ikke komme inn i innskyvningsjakten for vekselbatterier på ladere (kortslutningsfare).

TRANSPORT AV LITUM-ION-BATTERI

Litium-ion-batterier faller under de lovfestede forskriftene om transport av farlig gods.

Transporten av disse batteriene må rette seg etter lokale, nasjonale og internasjonale forskrifter og bestemmelser.

Forbruker har lov å transportere disse batteriene på gaten uten reglementering.

Den kommersielle transport av Litium-ion-batterier av spedisjonsfirma faller under bestemmelsene om transport av farlig gods. Forberedningene av forsendelsen og transport skal utelukkende gjennomføres av personer som har blitt skolert til dette. Hele prosessen skal følges opp av fagfolk.

Følgende punkter skal tas hensyn til ved transport:

Kontroller at kontaktene er beskyttet og isolert for å unngå kortslutninger. Pass på at batteripakken i forpakningen ikke kan skli fram og tilbake. Skadede eller batterier som lekker er det ikke lov å transportere. Ta kontakt med spedisjonsfirma for ytterligere henvisninger.

VEDLIKEHOLD

Kontroller lettgåligheten til pressbakkene og press-slingene.

Etter avsluttet arbeid skal press-slingene, slåen og pressbakkene renses og smøres.

Vedlikeholds- og reparasjoner skal bare utføres av autoriserte fagverksteder.

Apparatet inneholder hydraulikkolje som er en fare for grunnvannet. Ukontrollerte utslipp eller usaksmessige deponering av oljen er straffbart.

På pressapparatet står tiden for neste vedlikehold. Vedlikehold må gjennomføres minst annethvert år eller senest når det varsles i LED - displayet.

Utslitt pressverktøy skal skiftes.

Hold alltid luftenåpningene på maskinen rene.

Bruk kun Milwaukee tilbehør og Milwaukee reservedeler. Komponenter der utskiftning ikke er beskrevet skal skiftes ut hos Milwaukee kundeservice (se brosjyre garanti/kundeserviceadresser).

Ved behov kan du be om en eksplosjonstegning av apparatet hos din kundeservice eller direkte hos Techtronic Industries GmbH, Max-Eyth-Straße 10, 71364 Winnenden, Germany. Oppgi maskintype og det nummeret på typeskiltet.

CE-SAMSVARSKLÆRING

Vi erklærer i alene ansvar at produktet beskrevet i „Teknisk data“ overensstemmer med alle relevante forskrifter til Eu direktiv 2011/65/EU (RoHS)

2006/42/EC

2014/30/EU

og de følgende harmoniserte normative dokumentene. fyrstikker

EN 60745-1:2009 + A11:2010

EN ISO 12100:2010

EN 55014-1:2017+A11:2020

EN 55014-2:2015

EN IEC 63000:2018



Winnenden, 2021-08-19

Alexander Krug / Managing Director
Autorisert til å utarbeide den tekniske dokumentasjonen
Techtronic Industries GmbH
Max-Eyth-Straße 10, 71364 Winnenden, Germany

SYMBOLER



Les nøye gjennom bruksanvisningen før maskinen tas i bruk.



OBS! ADVARSEL! FARE!



Ta ut vekselbatteriet før du arbeider på maskinen



ADVARSEL!
Fare for personskader på grunn av biter som slynges ut



OBS! Fare for klemming.



Tilbehør - inngår ikke i leveransen, anbefalt komplettering fra tilbehørsprogrammet.



Bruk alltid vernebrille når du arbeider med maskinen.



Vedlikeholdsmerke



Elektriske apparat skal ikke kastes sammen med vanlig husholdningsavfall. Elektriske og elektroniske apparat skal samles separat og leveres til miljøvennlig deponering til en avfall bedrift. Informer deg hos myndighetene på stedet eller hos din fagforhandler hvor det finnes recycling bedrifter oppsamlingssteder.



Europeisk samsvarsmerke



Britisk samsvarsmerke



Ukrainsk samsvarsmerke



Euroasiatisk samsvarsmerke



Nor

TEKNISKA DATA	M18 BLHPT
Pressverktyg	
Produktionsnummer	4524 10 03 000001-999999
Batterispänning	18 V
Ineffekt	450 W
Nominell kraft	32 kN
Pressområde: Ø Plast & Kompositrör Ø Metall fram till	63 mm (110 mm) 54 mm (108 mm) beroende på system
Vikt enligt EPTA 01/2014 (Li-Ion 2,0 Ah)	2,9 kg
Vikt (M18 BLHPT / Li-Ion 2,0 Ah / J18-Th14)	4,7 kg
Bullerinformation	
Mätvärdena har tagits fram baserade på EN 60745. A-värdet av maskinens ljudnivå utgör:	
Ljudtrycksnivå (Onoggrannhet K=3dB(A))	76,5 dB (A)
Ljudeffektsnivå (Onoggrannhet K=3dB(A))	87,5 dB (A)
Använd hörselskydd!	
Vibrationsinformation	
Totala vibrationsvärden (vektorsumma ur tre riktningar) framtaget enligt EN 60745.	
Vibrationsemissionsvärde _h Onoggrannhet K=	<2,5 m/s ² 1,5 m/s ²



VARNING!

Den i de här anvisningarna angivna vibrationsnivån har uppmätt enligt ett i EN 60745 normerat mätförfarande och kan användas vid jämförelse mellan olika elverktyg. Nivån är även lämplig att använda vid en preliminär bedömning av vibrationsbelastningen.

Den angivna vibrationsnivån representerar den huvudsakliga användningen av det aktuella elverktyget. Men om elverktyget ska användas i andra användningsområden, tillsammans med avvikande insatsverktyg eller efter otillräckligt underhåll, kan vibrationsnivån skilja sig. Det kan öka vibrationsbelastningen betydligt under hela arbetstiden.

För att få en exaktare bedömning av vibrationsbelastningen ska även den tid beaktas, under vilken elverktyget är avstängt eller är påslaget, utan att det verkligen används. Det kan reducera vibrationsbelastningen betydligt under hela arbetstiden.

Lägg som skydd för användaren fast extra säkerhetsåtgärder mot vibrationernas verkan, som till exempel: underhåll av elverktyg och insatsverktyg, varmhållning av händer och organisering av arbetsförlopp.

⚠️ VARNING! Läs alla säkerhetsanvisningar och andra tillhörande anvisningar. Fel som uppstår till följd av att anvisningarna nedan inte följts kan orsaka elstöt, brand och/eller allvarliga kroppsskador. **Förvara alla varningar och anvisningar för framtida bruk.**

⚠️ SÄKERHETSVARNINGAR FÖR PRESSENHET

Använd skyddsutrustning. Använd alltid skyddsglasögon när du använder maskinen. Som skyddsutrustning rekommenderar vi t ex en dammskyddsmask, skyddshandskar, stabila och halksäkra skor, hjälm och hörselskydd.

Gå aldrig med fingrarna eller andra kroppsdelar i närheten av cylindern eller pressbackarna.

Håll inte fast backspaken med händerna under pressningen.

Endast en fackman får använda pressverktyg och pressapparater.

Kontrollera pressverktygen och pressapparaterna varje gång innan de används att de inte har sprickor eller är slitna på annat sätt.

Det är endast tillåtet att använda pressverktyg och pressapparater i tekniskt felfritt tillstånd.

Kontakta omedelbart en auktoriserad fackverkstad för reparation om produkten skulle vara skadad.

Produkten får endast användas med isatt pressback.

Tryck omedelbart på säkerhetsknappen vid en störning under pressningen och släpp samtidigt PÅ-knappen. Ventilen öppnas och kolven går tillbaka till utgångsläget.

Genomför absolut allt föreskrivet underhåll och beakta underhållsintervallerna.

Drag ur batteripaket innan arbete utföres på maskinen.

ARBETSANVISNINGAR

Använd endast presskopplingar som stämmer överens med systemet och pressbackar som är anpassade till dessa kopplingar.

För bearbetnings- och monteringsanvisningar som gäller kopplingar och rör, se systemleverantörens dokumentation.

Kontrollera att presskopplingens nominella vidd stämmer överens med pressbackens nominella vidd.

Kontrollera att pressbacken är helt stängd efter det att pressningen är avslutad.

Rörförbindningar som inte är helt korrekta måste pressas en gång till med en ny koppling.

Kontrollera efter installationen att rörsystemet är tätt med hjälp av lämpliga kontrollmedel.

Pressapparaten är inte konstruerad för permanent användning. Efter 30 minuters användning utan avbrott krävs en kort paus på minst 15 minuter så att produkten kan svalna.

ANVÄND MASKINEN ENLIGT ANVISNINGARNA

Pressapparaterna och pressbackarna får endast användas för pressning av sådana rör och kopplingar som respektive pressbackar är avsedda för.

Pressapparaterna får endast användas med de pressbackar som Milwaukee har godkänt i samråd med systemleverantören.

BATTERIER

Batteri som ej använts på länge måste laddas före nytt bruk.

En temperatur över 50°C reducerar batteriets effekt. Undvik längre uppvärmning tex i solen eller nära ett element.

Se till att anslutningskontaktarna i laddaren och på batteriet är rena.

För att batterierna ska få lång livslängd ska de laddas fulla efter användning.

För att få en så lång livslängs som möjligt bör laddningsbara batterier avlägsnas från laddaren när de är laddade.

Om laddningsbara batterier lagras längre än 30 dagar: Lagra batteriet torrt och vid ca 27°C. Lagra batteriet vid ca 30%-50% av laddningskapaciteten. Ladda batterierna på nytt var 6:e månad.

Kasta inte förbrukade batterier. Lämna dem till Milwaukee Tools för återvinning.

Förvara ej batteriet ihop med metallföremål, kortslutning kan uppstå.

System M18 batterier laddas endast i System M18 laddare. Ladda inte batterier från andra system.

Batterier lagras torrt och skyddas för fukt.

Under extrem belastning eller extrem temperatur kan batterivätska tränga ut ur skadade utbytesbatterier. Vid beröring med batterivätska tvätta genast av med vatten och tvål. Vid

ögonkontakt spola genast i minst 10 minuter och kontakta genast läkare.

Se upp så att inga metallföremål hamnar i laddarens batterischakt, kortslutning kan uppstå.

TRANSPORTERA LITIJUMJON-BATTERIER

För litiumjon-batterier gäller de lagliga föreskrifterna för transport av farligt gods på väg.

Därför får dessa batterier endast transporteras enligt gällande lokala, nationella och internationella föreskrifter och bestämmelser.

Konsumenter får transportera dessa batterier på allmän väg utan att behöva beakta särskilda föreskrifter.

För kommersiell transport av litiumjon-batterier genom en speditorsfirma gäller emellertid bestämmelserna för transport av farligt gods på väg. Endast personal som känner till alla tillämpliga föreskrifter och bestämmelser får förbereda och genomföra transporten. Hela processen ska följas upp på fackmässigt sätt.

Följande ska beaktas i samband med transporten av batterier: Säkerställ att alla kontakter är skyddade och isolerade för att undvika kortslutning. Se till att batteripacken inte kan glida fram och tillbaka i förpackningen. Transportera aldrig batterier som läcker, har runnit ut eller är skadade. För mer information vänligen kontakta din speditorsfirma.

SKÖTSEL

Kontrollera att pressbackarna och pressrullarna är lättmanövrerade.

När arbetet är avslutat ska pressrullarna, låsanordningarna och pressbackarna rengöras och smörjas med fett.

Underhållsarbeten och reparationer får endast utföras på auktoriserade fackverkstäder.

I apparaten finns hydraulolja som är farlig för grundvattnet. Det är straffbart att tappa av hydraulolja okontrollerat eller att ta hand om den som avfall på annat än föreskrivet sätt.

På pressapparaten står respektive datum för nästa underhåll som krävs. Detta underhåll ska utföras minst alla 2 år eller senast när LED-indikeringen signalerar detta.

Byt alltid ut slitna pressverktyg.

Se till att motorhöljets luftslitsar är rena.

Använd endast Milwaukee-tillbehör och Milwaukee-reservdelar. Komponenter, för vilka inget byte beskrivs, skall bytas ut hos Milwaukee-kundtjänst (se broschyren garanti-/kundtjänstadresser).

Vid behov av sprängskiss, kan en sådan, genom att uppge maskinens art. nr. (som finns på typskylten) erhållas från: Techtronic Industries GmbH, Max-Eyth-Straße 10, 71364 Winnenden, Germany.

CE-FÖRSÄKRAN

Vi tar på vårt ansvar att produkten som har beskrivits under Tekniska data uppfyller alla relevanta villkor i direktiven 2011/65/EU (RoHS)

2006/42/EG

2014/30/EU

samt att följande harmoniserade standarder har använts.

EN 60745-1:2009 + A11:2010

EN ISO 12100:2010

EN 55014-1:2017+A11:2020

EN 55014-2:2015

EN IEC 63000:2018



Winnenden, 2021-08-19

Alexander Krug / Managing Director

Befullmäktigad att sammanställa teknisk dokumentation.

Techtronic Industries GmbH

Max-Eyth-Straße 10, 71364 Winnenden, Germany

SYMBOLER



Läs instruktionen noga innan du startar maskinen.



OBSERVERA! VARNING! FARA!



Drag ur batteripaket innan arbete utföres på maskinen.



WARNING!

Skaderisk på grund av ivägflygande brottstycken



Varning! Risk att klämma sig



Tillbehör - Ingår ej i leveransomfånget, erhålles som tillbehör.



Använd alltid skyddsglasögon.



Varningsdekal



Elektriska maskiner och elverktyg som kasseras får inte slängas tillsammans med de vanliga hushållsoporna. Elektriska maskiner och verktyg samt elektronisk utrustning som kasseras ska samlas separat och lämnas till en avfallsstation för miljövänlig avfallshantering. Kontakta den lokala myndigheten respektive kommunen eller fråga återförsäljare var det finns speciella avfallsstationer för elskrot.



Europeiskt konformitetsmärke



Britiskt konformitetsmärke



Ukrainskt konformitetsmärke



Euroasiatiskt konformitetsmärke



TEKNISET ARVOT Puristuslaite	M18 BLHPT
Tuotantonumero	4524 10 03 000001-999999
Jännite vaihtoakku	18 V
Tehonotto	450 W
Nimellisvoima	32 kN
Puristusalue : Ø Muovit & komposiittiputket Ø Metallia asti	63 mm (110 mm) 54 mm (108 mm) järjestelmän mukaan
Paino EPTA-menetellyn 01/2014 mukaan (Li-Ion 2,0 Ah)	2,9 kg
Paino (M18 BLHPT / Li-Ion 2,0 Ah / J18-Th14)	4,7 kg
Melunpäästöiedot Mitta-arvot määritetty EN 60745 mukaan. Koneen tyyppillinen A-luokitettu melutaso:	
Melutaso (Epävarmuus K=3dB(A))	76,5 dB (A)
Äänenvoimakkuus (Epävarmuus K=3dB(A))	87,5 dB (A)
Käytä kuulosuojaimia!	
Tärinätiedot Värähtelyn yhteisarvot (kolmen suunnan vektorisummitattuna EN 60745 mukaan.	
Värähtelyemissioarvo _a , Epävarmuus K=	<2,5 m/s ² 1,5 m/s ²



Suo

VAROITUS!

Näissä ohjeissa mainittu värähtelytaso on mitattu EN 60745-standardin mukaisella mittausmenetelmällä ja sitä voidaan käyttää sähkötyökalujen vertaamiseen. Sitä voidaan käyttää myös värähtelyrasituksen väliaikaiseen arviointiin.

Mainittu värähtelytaso edustaa sähkötyökalun pääasiallista käyttöä. Jos sähkötyökalua kuitenkin käytetään muihin tehtäviin, poikkeavin työkaluun tai riittämättömästi huoltaen, värähtelytaso voi olla erilainen. Se voi korottaa värähtelyrasitusta koko työajan osalta.

Tarkan värähtelyrasituksen toteamiseen tulee ottaa huomioon aika, jona laite on kytketty pois tai on kylmän päällä, mutta ei käytössä. Se voi pienentää värähtelyrasitusta koko työajan osalta.

Määrittele lisäturvatoimenpiteitä käyttäjän suojaamiseksi värinöiden vaikutukselta, kuten esimerkiksi: sähkötyökalujen ja käyttötyökalujen huolto, käsien lämpimän pitäminen, työvälineiden organisaatio.

VAROITUS! Lue kaikki, myös annetut turvallisuusmääräykset ja käyttöohjeet. Turvallisuusohjeiden noudattaminen laiminlyönti saattaa johtaa sähköiskuun, tulipaloon ja/tai vakavaan loukkaantumiseen. **Säilytä kaikki turvallisuus- ja muut ohjeet tulevaisuutta varten.**

PAINOKONEEN TURVALLISUUSVAROITUKSET

Käytä suojavarusteita. Käytä aina suojalaseja käyttäessäsi konetta. Suosittelemme suojavarusteiden käyttöä, näihin kuuluvat pölysuojajanaamari, työkasineet, tukevat, luistamattomat jalkineet, kypärä ja kuulosuojukset.

Älä koskaan pane sormiasi tai muita ruumiinosia sylinterin ja puristusleukojen työalueelle.

Älä pidä leikavuuista käsin kiinni puristustapahtuman aikana.

Vain ammattitaitoiset henkilöt saavat käyttää puristusleukoja ja puristuslaitteita.

Ennen jokaista käyttöä tarkasta, onko puristusleukoissa ja puristuslaitteissa halkeamia tai muita kulumisilmiöitä.

Käytä vain teknisesti moitteettomassa kunnossa olevia puristustyökaluja ja puristuslaitteita.

Anna valtuutetun alan ammattikorjaamon korjata vauriot heti.

Laitetta saa käyttää ainoastaan puristusleukojen kera.

Jos puristustapahtuman aikana tulee häiriö, paina heti hätäpysäytyskytkintä ja päästä PÄÄLLE-katkaisin irti. Venttiili avaa ja mäntä ajaa takaisin lähtöasemaansa.

Noudata annettuja huolto-ohjeita ja huoltotöiden aikavälejä.

Ota akku pois ennen kaikkia koneeseen tehtäviä toimenpiteitä.

TYÖSKENTELYOHJEITA

Käytä vain järjestelmään sopivia puristussovikeita sekä siihen kuuluvia puristusleukoja.

Sovikkeiden tai putkien työstö- ja asennusohjeet löytyvät järjestelmän valmistajan dokumentaatiosta.

Tarkasta, että puristussovikkeen nimelliskoko on sama kuin puristusleuan nimelliskoko.

Kun puristus on suoritettu loppuun, tarkasta, että puristusleuka on täysin suljettu.

Jos putkiliitos ei ole oikein, niin se täytyy puristaa uudelleen uutta soviketta käyttäen.

Tarkasta putkijärjestelmän tiiviyys asennustöiden jälkeen sopivilla keuhkuvälineillä.

Puristuslaite ei sovellu käytettäväksi jatkuvasti. 30 minuutin keskeyttämättömän käytön jälkeen tulee pitää vähintään 15 minuutin mittainen tauko, jotta laite voi jäähtyä.

TARKOITUKSEN MUKAINEN KÄYTTÖ

Puristuslaitteita ja puristusleukoja saa käyttää ainoastaan sellaisten putkien ja sovikkeiden puristamiseen, jotka vastaavat käytettyjä puristusleukoja.

Puristuslaitteet on tarkoitettu käytettäväksi ainoastaan sellaisten puristusleukojen kera, jotka Milwaukee on yhdessä järjestelmän tarjoajan kera julistanut soveliaiksi.

AKKU

Pitkään käyttämättä olleet vaihtoakut on ladattava ennen käyttöä.

Yli 50°C lämpötilassa akun suorituskyky heikkenee. Välttämättä akkujen säilyttämistä auringossa tai kuivissa tiloissa.

Pidä aina latauslaitteen ja akun kosketuspinnat puhtaina.

Optimaalisen käyttöajan saavuttamiseksi akut on ladattava täyteen käytön jälkeen.

Mahdollisimman pitkän elinajan takaamiseksi akut tulee poistaa latauslaitteesta lataamisen jälkeen.

Akkuja yli 30 päivää säilytettäessä: Säilytä akku yli 27°C:ssa ja kuivassa. Säilytä akku sen latauksen ollessa 30% - 50%. Lataa akku 6 kuukauden välein uudelleen.

Käytettyjä vaihtoakkuja ei saa polttaa eikä poistaa normaalin jätehuollon kautta. Milwaukeeella on tarjolla vanhoja vaihtoakkuja varten ympäristöystävällinen jätehuoltopalvelu.

Vaihtoakkuja ei saa säilyttää yhdessä metalliesineiden kanssa (oikosulkuvaara).

Käytä ainoastaan System M18 latauslaitetta System M18 akkujen lataukseen. Älä käytä muiden järjestelmien akkuja.

Vaihtoakkuja ja latauslaitteita ei saa avata. Säilytys vain kuivissa tiloissa. Suojattava kosteudelta.

Vaurioituneesta akusta saattaa erityisen kovassa käytössä tai poikkeavassa lämpötilassa vuotaa akkuhappoa. Ihonkohta, joka on joutunut kosketukseen akkuhapon kanssa on viipymättä pestävä vedellä ja saippualla. Silmä, johon on joutunut akkuhappoa, on huuhdeltava vedellä vähintään 10 minuutin ajan, jonka jälkeen on viipymättä hakeuduttava lääkärin apuun.

On varottava, ettei latauslaitteiden vaihtoakkulatauskoloon joudu metalliesineitä (oikosulkuvaara).

LITIUMI-IONIAKKUJEN KULJETTAMINEN

Litiumi-ioniakut kuuluvat vaarallisten aineiden kuljetuksesta annettujen lakien piiriin.

Näiden akkujen kuljettaminen täytyy suorittaa noudattaen paikallisia, kansallisia ja kansainvälisiä määräyksiä ja säädöksiä.

Kuluttajat saavat ilman muuta kuljettaa näitä akkuja teitä pitkin.

Kaupallisessa kuljetuksessa huolintaliikkeiden täytyy kuljettaa litiumi-ioniakkuja vaarallisten aineiden kuljetuksesta annettujen määräysten mukaisesti. Ainoastaan tähän vastaavasti koulutetut henkilöt saavat suorittaa kuljetuksen valmistelutoimet ja itse kuljetuksen. Koko prosessia tulee valvoa asiantuntevasti.

Seuraavat kohdat tulee huomioida akkuja kuljetettaessa:

Varmista, että akkujen kontaktit on suojattu ja eristetty, jotta vältetään lyhytsulut. Huolehdi siitä, ettei akkusarja voi luiskahtaa paikaltaan pakkauksen sisällä. Vahingoittuneita tai vuotavia akkuja ei saa kuljettaa. Pyydä tarkemmat tiedot huolintaliikkeeltäsi.

HUOLTO

Tarkasta, että puristusleuat ja puristusrullat liikkuvat kevyesti.

Töiden päätyttyä puristusrullat, salvat ja puristusleuat tulee puhdistaa ja rasvata.

Vain valtuutetut alan ammattikorjaamot saavat suorittaa huolto- ja kunnossapitotyöt

Laitte sisältää hydrauliöljyä, joka on vaarallista pohjavedelle.

Valvomatonta pois-laskeminen tai asiantuntematon hävittäminen on rangaistava teko.

Puristuslaitteessa on ilmoitettu seuraava huoltoajankohta. Tämä huolto tulee suorittaa vähintään aina 2 vuoden kuluttua tai viimeistään silloin, kun valodiodinäyttö ilmoittaa huollon olevan tarpeen.

Vaihda kuluneet puristustyökälyt uusiin.

Pidä moottorin ilmanottoaukot puhtaina.

Käytä ainoastaan Milwaukee lisätarvikkeita ja Milwaukee varaosia.

Mikäli jokin komponentti, jota ei ole kuvailtu, tarvitsee vaihtoa ota yhteys johonkin Milwaukee palvelupisteistä (kts. listamme takuuhuoltoilikkeiden/ palvelupisteiden osoitteista)

Tarpeen vaatiessa voit pyytää lähettämään laitteen kokoonpanopiirustuksen ilmoittamalla arvokilven numeron seuraavasta osoitteesta: Techtronic Industries GmbH, Max-Eyth-Straße 10, 71364 Winnenden, Germany.

TODISTUS CE-STANDARDINMUKAISUUDESTA

Vakuutamme täten olevamme yksin vastuussa siitä, että kohdassa "Tekniset tiedot" kuvattu tuote vastaa kaikkia direktiivien merkityksellisiä säädöksiä

2011/65/EU (RoHS)

2006/42/EY

2014/30/EU

ja seuraavia yhdenmukaistettuja standardeja on käytetty.

EN 60745-1:2009 + A11:2010

EN ISO 12100:2010

EN 55014-1:2017+A11:2020

EN 55014-2:2015

EN IEC 63000:2018

Alexander Krug / Managing Director

Valtuutettu kokoamaan tekniset dokumentit.

Techtronic Industries GmbH

Max-Eyth-Straße 10, 71364 Winnenden, Germany

SYMBOLIT



Lue käyttöohjeet huolellisesti, ennen koneen käynnistämistä.



HUOMIO! VAROITUS! VAARA!



Ota akku pois ennen kaikkia koneeseen tehtäviä toimenpiteitä.



VAROITUS!
Murtuneet osat voivat aiheuttaa vammoja



Varoitus! Rusementimisvaara



Lisälaite - Ei sisälly vakiovarustukseen, saatavana lisätarvikkeena.



Käytä laitteella työskennellessäsi aina suojalaseja.



Huoltotarra



Sähkölaitteita ei saa hävittää yhdessä kotitalousjätteen kanssa. Sähkö- ja elektroniset laitteet tulee kerätä erikseen ja toimittaa kierrätysliikkeeseen ympäristöystävällistä hävittämistä varten. Pyydä paikallisilta viranomaisilta tai alan kauppiailta tarkemmat tiedot kierrätyspisteistä ja keräyspaikoista.



Euroopan säännönmukaisuusmerkki



Britannian säännönmukaisuusmerkki



Ukrainan säännönmukaisuusmerkki



Euraasian säännönmukaisuusmerkki



Winnenden, 2021-08-19

ΤΕΧΝΙΚΑ ΣΤΟΙΧΕΙΑ Εργαλείο συμπίεσης	M18 BLHPT
Αριθμός παραγωγής	4524 10 03 000001-999999
Τάση ανταλλακτικής μπαταρίας	18 V
Ισχύς εισόδου	450 W
Ονομαστική δύναμη	32 kN
Περιοχή συμπίεσης : Ø & συνθεςτες σωληνώσεις Ø Μέταλλο μέχρι την	63 mm (110 mm) 54 mm (108 mm) ανάλογα με το σύστημα
Βάρος σύμφωνα με τη διαδικασία EPTA 01/2014 (Li-Ion 2,0 Ah)	2,9 kg
Βάρος (M18 BLHPT / Li-Ion 2,0 Ah / J18-Th14)	4,7 kg
Πληροφορίες θορύβου Τιμές μέτρησης εξακριβωμένες κατά EN 60745. Η σύμφωνα με την καμπύλη A εκτιμηθείσα στάθμη θορύβου του μηχανήματος αναφέρεται σε: Στάθμη ηχητικής πίεσης (Ανασφάλεια K=3dB(A)) 76,5 dB (A) Στάθμη ηχητικής ισχύος (Ανασφάλεια K=3dB(A)) 87,5 dB (A) Φοράτε προστασία ακοής (ωτασπίδες)!	
Πληροφορίες δονήσεων Υλικές τιμές κραδασμών (άθροισμα διανυσμάτων τριών διευθύνσεων) εξακριβώθηκαν σύμφωνα με τα πρότυπα EN 60745. Τιμή εκπομπής δονήσεων _h Ανασφάλεια K=	<2,5 m/s ² 1,5 m/s ²

ΠΡΟΕΙΔΟΠΟΙΗΣΗ!

Το αναφερόμενο σ' αυτές τις οδηγίες επίπεδο δονήσεων έχει μετρηθεί με μια τυποποιημένη σύμφωνα με το EN 60745 μέθοδο μέτρησης και μπορεί να χρησιμοποιηθεί για τη σύγκριση των ηλεκτρικών εργαλείων μεταξύ τους. Αυτό είναι επίσης κατάλληλο για μια προσωρινή εκτίμηση της επιβάρυνση των δονήσεων.

Το αναφερόμενο επίπεδο δονήσεων αντιπροσωπεύει τις κύριες χρήσεις του ηλεκτρικού εργαλείου. Εάν όμως το ηλεκτρικό χρησιμοποιείται σε άλλες χρήσεις, με διαφορετικά εργαλεία εφαρμογής ή ανεπαρκή συντήρηση, μπορεί να υπάρξει απόκλιση του επιπέδου δονήσεων. Αυτό μπορεί να αυξήσει σημαντικά την επιβάρυνση των δονήσεων για τη συνολική διάρκεια της εργασίας.

Για μια ακριβή εκτίμηση της επιβάρυνσης των δονήσεων οφείλουν επίσης να λαμβάνονται υπόψη οι χρόνοι, στους οποίους η συσκευή είναι απενεργοποιημένη ή είναι μεν ενεργοποιημένη αλλά δεν χρησιμοποιείται πραγματικά. Αυτό μπορεί να μειώσει σημαντικά την επιβάρυνση των δονήσεων για τη συνολική διάρκεια της εργασίας.

Καθορίζετε πρόσθετα μέτρα ασφαλείας για την προστασία του χειριστή από την επίδραση των δονήσεων όπως για παράδειγμα: Συντήρηση του ηλεκτρικού εργαλείου και των εργαλείων εφαρμογής, διατηρείτε ζεστά τα χέρια, οργάνωση των διαδικασιών εργασίας.



ΠΡΟΕΙΔΟΠΟΙΗΣΗ! Διαβάστε όλες τις Υποδείξεις ασφαλείας και τις Οδηγίες. Αμέλειες κατά την τήρηση των προειδοποιητικών υποδείξεων μπορεί να προκαλέσουν ηλεκτροπληξία, κίνδυνο πυρκαγιάς ή/και σοβαρούς τραυματισμούς.
Φυλάξτε όλες τις προειδοποιητικές υποδείξεις και οδηγίες για κάθε μελλοντική χρήση.



ΠΙΣΤΙΚΗ ΣΥΣΚΕΥΗ ΠΡΟΕΙΔΟΠΟΙΗΣΙΣ ΑΣΦΑΛΕΙΑΣ

Χρησιμοποιείτε προστατευτικό εξοπλισμό. Κατά την εργασία με τη μηχανή φοράτε πάντα προστατευτικά γυαλιά. Συνιστούμε επίσης προστατευτική ενδυμασία όπως επίσης μάσκα προστασίας αναπνοής, προστατευτικά γάντια, σταθερά και ασφαλή στην ολίθηση υποδήματα, κράνος και ωτασπίδες.

Μη βάζετε ποτέ δάχτυλα ή άλλα μέρη του σώματός σας στην περιοχή λειτουργίας του κυλίνδρου και των σιαγόνων πίεσης

Μη κρατάτε το μοχλό της σιαγόνας με τα χέρια σας κατά την διάρκεια της διαδικασίας συμπίεσης.

Εργαλεία και συσκευές συμπίεσης επιτρέπεται να χρησιμοποιούνται μόνο από εξειδικευμένο προσωπικό.

Πριν από κάθε χρήση των εργαλείων και των συσκευών συμπίεσης ελέγξτε αν αυτά παρουσιάζουν ρωγμές ή άλλου είδους φθορές.

Χρησιμοποιείτε τα εργαλεία και τις συσκευές συμπίεσης μόνο αν αυτά βρίσκονται σε καλή κατάσταση.

Σε περίπτωση βλάβης επισκευάστε τα άμεσα σε ένα εξουσιοδοτημένο συνεργείο.

Η συσκευή επιτρέπεται να χρησιμοποιηθεί μόνο αν είναι μονταρισμένη η σιαγόνα συμπίεσης.

Σε περίπτωση βλάβης κατά την διάρκεια της διαδικασίας συμπίεσης πιάστε αμέσως το κουμπί κινδύνου και αφήστε το κουμπί ON. Η βαλβίδα ανοίγει και ο κύλινδρος γυρνάει στην αρχική του θέση.

Τηρείστε οπωσδήποτε τις προθεσμίες και τα διαστήματα συντήρησης.

Πριν από κάθε εργασία στη μηχανή αφαιρείτε την ανταλλακτική μπαταρία.

ΥΠΟΔΕΙΞΙΣ ΕΡΓΑΣΙΑΣ

Χρησιμοποιείτε μόνο συνδέσμους που πληρούν τις προδιαγραφές του συστήματος καθώς και τις κατάλληλες για αυτούς τους συνδέσμους σιαγόνες συμπίεσης.

Τις οδηγίες επεξεργασίας και μονταρίσματος για τους συνδέσμους και τις σωλήνες μπορείτε να τις βρείτε στα εγχειρίδια του εκάστοτε κατασκευαστή συστήματος.

Ελέγξτε αν η ονομαστική διάμετρος του συνδέσμου αντιστοιχεί στην ονομαστική διάμετρο της σιαγόνας συμπίεσης.

Μετά από το τελείωμα μιας διαδικασίας συμπίεσης σιγουρευτείτε ότι η σιαγόνα συμπίεσης έχει κλείσει ολοσχερώς.

Συνδέσεις σωλήνων που δεν έγιναν σωστά πρέπει να ξαναγίνουν με καινούριους συνδέσμους.

Ελέγξτε με τα κατάλληλα μέσα μετά από το τέλος των εργασιών αν οι σωληνώσεις είναι στεγανές.

Η συσκευή συμπίεσης δεν είναι κατάλληλη για συνεχή λειτουργία. Μετά από 30 λεπτά συνεχούς λειτουργίας πρέπει να κάνει διάλειμμα 15 τουλάχιστον λεπτών ώστε να κρυώσει.

ΧΡΗΣΗ ΣΥΜΦΩΝΑ ΜΕ ΤΟ ΣΚΟΠΟ ΠΡΟΟΡΙΣΜΟΥ

Οι συσκευές και οι σιαγόνες συμπίεσης επιτρέπεται να χρησιμοποιηθούν μόνο σε συνδυασμό με κατάλληλους σωλήνες και συνδέσμους για τους οποίους οι σιαγόνες συμπίεσης πληρούν τις προδιαγραφές.

Οι συσκευές συμπίεσης προορίζονται αποκλειστικά για χρήση των σιαγόνων συμπίεσης που έχουν πιστοποιηθεί ως κατάλληλες από την Milwaukee σε συμφωνία με τον πάροχο συστήματος.

ΜΠΑΤΑΡΙΕΣ

Επαναφορτίζετε τις ανταλλακτικές μπαταρίες που δεν έχουν χρησιμοποιηθεί για μεγαλύτερο χρονικό διάστημα πριν τη χρήση.

Μια θερμοκρασία πάνω από 50°C μειώνει την ισχύ της ανταλλακτικής μπαταρίας. Αποφύγετε τη θέρμανση για μεγαλύτερο χρονικό διάστημα από τον ήλιο ή τις συσκευές θέρμανσης.

Διατηρείτε τις επαφές σύνδεσης στο φορτιστή και στην ανταλλακτική μπαταρία καθαρές.

Για μια άριστη διάρκεια ζωής πρέπει μετά τη χρήση οι μπαταρίες να φορτιστούν πλήρως.

Για μια κατά το δυνατόν μεγάλη διάρκεια ζωής οι μπαταρίες μετά τη φόρτιση οφείλουν να αφαιρεθούν από το φορτιστή.

Για την αποθήκευση της μπαταρίας για διάστημα μεγαλύτερο των 30 ημερών: Αποθηκεύετε τη μπαταρία περ. στους 27°C σε στεγνό χώρο. Αποθηκεύετε τη μπαταρία περ. στο 30%-50% της κατάστασης φόρτισης. Κάθε 6 μήνες φορτίζετε εκ νέου τη μπαταρία.

Μην πετάτε τις μεταχειρισμένες ανταλλακτικές μπαταρίες στη φωτιά ή στα οικιακά απορρίμματα. Η Milwaukee προσφέρει μια απόσυρση των παλιών ανταλλακτικών μπαταριών σύμφωνα με τους κανόνες προστασίας του περιβάλλοντος, ρωτήστε παρακαλώ σχετικά στο ειδικό κατάστημα πώλησης.

Μην αποθηκεύετε τις ανταλλακτικές μπαταρίες μαζί με μεταλλικά αντικείμενα (κίνδυνος βραχυκυκλώματος).

Φορτίζετε τις ανταλλακτικές μπαταρίες του συστήματος M18 μόνο με φορτιστές του συστήματος M18. Μην φορτίζετε μπαταρίες από άλλα συστήματα.

Μην ανοίγετε τις ανταλλακτικές μπαταρίες και τους φορτιστές και χρησιμοποιείτε για αποθήκευση μόνο στεγνούς χώρους. Προστατεύετε τις ανταλλακτικές μπαταρίες και τους φορτιστές από την υγρασία.

Όταν υπάρχει υπερβολική καταπόνηση ή υψηλή θερμοκρασία μπορεί να τρέξει υγρό μπαταρίας από τις χαλασμένες επαναφορτιζόμενες μπαταρίες. Αν έρθετε σε επαφή με υγρό μπαταρίας να πλυθείτε αμέσως με νερό και σαπούνι. Σε περίπτωση επαφής με τα μάτια να πλυθείτε σχολαστικά για τουλάχιστον 10 λεπτά και να αναζητήσετε αμέσως ένα γιατρό.

Στη θήκη υποδοχής των ανταλλακτικών μπαταριών του φορτιστή δεν επιτρέπεται να φθάνουν μεταλλικά αντικείμενα (κίνδυνος βραχυκυκλώματος).

ΜΕΤΑΦΟΡΑ ΤΩΝ ΜΠΑΤΑΡΙΩΝ ΙΟΝΤΩΝ ΛΙΘΙΟΥ

Οι μπαταρίες ιόντων λιθίου υπόκεινται στις απαιτήσεις των νομικών διατάξεων για την μεταφορά επικινδύνων εμπορευμάτων.

Η μεταφορά τέτοιων μπαταριών πρέπει να πραγματοποιείται τηρώντας τους τοπικούς, εθνικούς και διεθνείς κανονισμούς και τις αντίστοιχες διατάξεις.

Επιτρέπεται η μεταφορά τέτοιων μπαταριών στο δρόμο χωρίς περαιτέρω απαιτήσεις.

Η εμπορική μεταφορά μπαταριών ιόντων λιθίου από εταιρείες μεταφορών υπόκειται στις απαιτήσεις των νομικών διατάξεων για την μεταφορά επικινδύνων εμπορευμάτων. Οι προετοιμασίες αποστολής και η μεταφορά πραγματοποιούνται αποκλειστικά από ειδικά εκπαιδευμένα πρόσωπα. Η συνολική διαδικασία συνοδεύεται από εξειδικευμένο προσωπικό.

Κατά τη μεταφορά μπαταριών ιόντων λιθίου πρέπει να προσέχετε τα εξής:

Φροντίστε τα σημεία επαφών να είναι προστατευμένα και μονωμένα ώστε να αποφευχθούν βραχυκυκλώματα. Προσέξτε το πακέτο μπαταριών να είναι σταθερό μέσα στη συσκευασία και να

μη γλιστρά. Η μεταφορά μπαταριών που παρουσιάζουν φθορές ή διαρροές δεν επιτρέπεται. Για περισσότερες πληροφορίες απευθυνθείτε στην εταιρεία μετάφορων.

ΣΥΝΤΗΡΗΣΗ

Ελέγξτε την ευκολία χρήσης των σιαγόνων συμπίεσης και των κυλινδρών συμπίεσης.

Καθαρίστε και λιπαίνετε τους κυλίνδρους συμπίεσης, τις σφάλειες και τις σιαγόνες συμπίεσης μετά το τέλος των εργασιών.

Οι εργασίες συντήρησης και επισκευής επιτρέπεται να διεξάγονται μόνο από εξειδικευμένα συνεργεία.

Η συσκευή περιέχει υδραυλικό λάδι που χρησιμοποιείται το οποίο αποτελεί κίνδυνο για τα υπόγεια ύδατα. Η ανεξέλεγκτη απόρριψη και η λανθασμένη διάθεση τιμωρούνται.

Η συσκευή συμπίεσης αναδεικνύει την επόμενη συντήρηση. Αυτή πρέπει να διεκπεραιώνεται κάθε 2 χρόνια ή το αργότερο όταν αναδεικνύεται στην οθόνη LED.

Αλλάξτε φαρμαένα εργαλεία συμπίεσης.

Διατηρείτε πάντοτε τις σχισμές εξερισμού της μηχανής καθαρές.

Χρησιμοποιείτε μόνο αξεσουάρ Milwaukee και ανταλλακτικά Milwaukee. Εξαρτήματα, που η αλλαγή τους δεν περιγράφεται, αντικαθιστώνται σε μια τεχνική υποστήριξη της Milwaukee (βλέπε φυλλάδιο εγγύηση/ διευθύνσεις τεχνικής υποστήριξης).

Όταν χρειάζεται, μπορείτε να ζητήσετε ένα σχέδιο συναρμολόγησης της συσκευής, δίνοντας τον τύπο της μηχανής και αριθμό στην πινακίδα ισχύος, από το κέντρο σέρβις ή απευθείας από τη φίρμα Techtronic Industries GmbH, Max-Eyth-Straße 10, 71364 Winnenden, Germany.

ΔΗΛΩΣΗ ΠΙΣΤΟΤΗΤΑΣ ΕΚ

Δηλώνουμε με αποκλειστική μας ευθύνη, ότι το προϊόν που περιγράφεται στα «Τεχνικά Χαρακτηριστικά» συμμορφώνεται με όλες τις σχετικές διατάξεις των οδηγιών

2011/65/EU (RoHS)

2006/42/EK

2014/30/EU

και έχουν εφαρμοστεί τα ακόλουθα εναρμονισμένα πρότυπα

EN 60745-1:2009 + A11:2010

EN ISO 12100:2010

EN 55014-1:2017+A11:2020

EN 55014-2:2015

EN IEC 63000:2018



Winnenden, 2021-08-19

Alexander Krug / Managing Director

Εξουσιοδοτημένος να συντάξει τον τεχνικό φάκελο.

Techtronic Industries GmbH

Max-Eyth-Straße 10, 71364 Winnenden, Germany

ΣΥΜΒΟΛΑ



Παρακαλώ διαβάστε σχολαστικά τις οδηγίες χρήσης πριν από την έναρξη λειτουργίας.



ΠΡΟΣΟΧΗ! ΠΡΟΕΙΔΟΠΟΙΗΣΗ! ΚΙΝΔΥΝΟΣ!



Πριν από κάθε εργασία στη μηχανή αφαιρείτε την ανταλλακτική μπαταρία.



ΠΡΟΕΙΔΟΠΟΙΗΣΗ!

Διαβάστε όλες τις υποδείξεις ασφαλείας και τις οδηγίες.



Προειδοποίηση! Κίνδυνος μαγκώματος.



Εξαρτήματα - Δεν περιλαμβάνονται στα υλικά παράδοσης, συνιστούμενη προσθήκη από το πρόγραμμα εξαρτημάτων.



Στις εργασίες με τη μηχανή φοράτε πάντοτε προστατευτικά γυαλιά.



Αυτοκόλλητα συντήρησης



Ηλεκτρικά μηχανήματα δεν επιτρέπεται να απορρίπτονται μαζί με τα οικιακά απορρίμματα. Ηλεκτρικά και ηλεκτρονικά μηχανήματα συλλέγονται ξεχωριστά και παραδίδονται προς ανακύκλωση με τρόπο φιλικό προς το περιβάλλον σε επιχείρηση επεξεργασίας απορριμμάτων. Ενημερωθείτε από τις τοπικές υπηρεσίες ή από ειδικευμένους εμπόρους σχετικά με κέντρα ανακύκλωσης και συλλογής απορριμμάτων.



Ευρωπαϊκό σήμα πιστότητας



Βρετανικό σήμα πιστότητας



Ουκρανικό σήμα πιστότητας



Ευρασιατικό σήμα πιστότητας



TEKNİK VERİLER	M18 BLHPT
Presli pense	
Üretim numarası	4524 10 03 000001-999999
Kartuş akü gerilimi	18 V
Güç girişi	450 W
Pres Kuvveti	32 kN
Basın Alanı :	
Ø Plastik & Kompozit borular	63 mm (110 mm)
Ø Metal kadar	54 mm (108 mm) sistem bağımlı
Ağırlığı ise EPTA-üretici 01/2014'e göre (Li-Ion 2,0 Ah)	2,9 kg
Ağırlığı (M18 BLHPT / Li-Ion 2.0 Ah / J18-Th14)	4,7 kg
Gürültü bilgileri	
Ölçüm değerleri EN 60745 e göre belirlenmektedir. Aletin, frekansa bağımlı uluslararası ses basıncı seviyesi değerlendirme eğrisi A'ya göre tipik gürültü seviyesi:	
Ses basıncı seviyesi (Tolerans K=3dB(A))	76,5 dB (A)
Akustik kapasite seviyesi (Tolerans K=3dB(A))	87,5 dB (A)
Koruyucu kulaklık kullanın!	
Vibrasyon bilgileri	
Toplam titreşim değeri (üç yönün vektör toplamı) EN 60745'e göre belirlenmektedir:	
titreşim emisyon değeri _a	<2,5 m/s ²
Tolerans K=	1,5 m/s ²

UYARI!

Bu talimatlarda belirtilen titreşim seviyesi, EN 60745 standardına uygun bir ölçme metodu ile ölçülmüştür ve elektrikli el aletleri birbiriyle karşılaştırmak için kullanılabilir. Ölçüm sonuçları ayrıca titreşim yükünün geçici değerlendirmesi için de uygundur.

Belirtilen titreşim seviyesi, elektrikli el aletinin genel uygulamaları için geçerlidir. Ancak elektrikli el aleti başka uygulamalar için, farklı eklenti parçalarıyla ya da yetersiz bakım koşullarında kullanılırsa, titreşim seviyesi farklılık gösterebilir. Bu durumda, titreşim yükü toplam çalışma zamanı aralığı içerisinde belirgin ölçüde yükselebilir. Titreşim yükünün tam bir değerlendirmesi için ayrıca cihazın kapalı olduğu süreler ve cihazın çalışır durumda olduğu, ancak gerçek kullanımda bulunmadığı süreler de dikkate alınmalıdır. Böylelikle, toplam çalışma zamanı aralığı boyunca meydana gelen titreşim yükü belirgin ölçüde azaltılabilir.

Kullanıcıyı titreşimlerin etkisinden korumak üzere, örneğin elektrikli el aletlerinin ve eklenti parçalarının bakımı, ellerin sıcak tutulması ve iş akışlarının organizasyonu gibi ek güvenlik tedbirleri belirleyiniz.

⚠ UYARI! Güvenlikle ilgili bütün açıklamaları. Açıklanan uyarılara ve talimat hükümlerine uyulmadığı takdirde elektrik çarpmalarına, yangınlara ve/veya ağır yaralanmalara neden olunabilir. **Bütün uyarıları ve talimat hükümlerini ileride kullanmak üzere saklayın.**

⚠ PRES CİHAZI GÜVENLİK UYARILARI

Koruma teçhizatı kullanın. Makinada çalışırken devamlı surette koruyucu gözlük takın. Koruyucu elbise ve tozlardan korunma maske, emniyet eldivenleri ve sağlam ve kaymaya mukavim ayakkabı giyin. Başlık ve kulaklık tavsiye edilir.

Asla parmaklarınızı veya başka vücut kısımlarınızı silindirin ve sıkma çenelerinin çalışma alanı içine tutmayınız.

Sıkma işlemi sırasında çene kollarını ellerinizle tutmayınız.

Sıkma aletleri ve sıkma cihazları sadece konusunda uzman olan kişiler tarafından kullanılabilir.

Her kullanımdan önce sıkma aletlerini ve sıkma cihazlarını çatlaklıklar ve başka aşınma belirtileri yönünden kontrol ediniz.

Sıkma aletleri ve sıkma cihazlarını sadece teknik olarak kusursuz durumdaysa kullanınız.

Hasarları derhal yetkili bir tamirhanede tamir ettiriniz.

Cihaz sadece sıkma çeneleri takılı durumdayken çalıştırılabilir.

Sıkma işlemi sırasında arızalar oluştuğunda derhal tehlike şalterine basınız ve AÇ şalterini bırakınız. Valf açılır ve piston başlangıç konumuna geri hareket eder.

Bakım ve bakım aralıklarına mutlaka uyunuz.

Aletin kendinde bir çalışma yapmadan önce kartuş aküyü çıkarın.

ÇALIŞMA AÇIKLAMALARI

Sadece sisteme uygun sıkma fittingleri ve bunlar için tasarlanmış sıkma çeneleri kullanınız.

Fitting ve borular için işleme ve montaj talimatları için sistemi sunanın belgelerine bakınız.

Sıkma fittingin nominal genişliğinin sıkma çenesinin nominal genişliğine uygun olmasını kontrol ediniz.

Sıkma işlemi tamamlandıktan sonra sıkma çenelerinin tamamıyla kapalı olmasını kontrol ediniz.

Düzensiz olmayan boru bağlantılarını tekrar yeni bir fitting ile sıkılmak zorundasınız.

Montaj işlerinin tamamlanmasından sonra boru sistemini uygun kontrol araçlarıyla sızdırmazlık yönünden kontrol ediniz.

Sıkma cihazı sürekli işletim için uygun değildir. 30 dakika aralıksız olarak çalıştırılmasından sonra, cihazın soğuyabilmesi için en az 15 dakikalık kısa bir ara verilmesi gerekmektedir.

KULLANIM

Sıkma cihazları ve sıkma çeneleri sadece, ilgili sıkma çenelerinin öngörüldüğü boru ve fittinglerin sıklıkla için kullanılabilir.

Sıkma cihazları sadece Milwaukee tarafından sistemi sunan ile mutabakat sağlanarak uygun bulunan sıkma çenelerinin kullanımı için öngörülmüşlerdir.

AKÜ

Uzun süre kullanım dışı kalmış kartuş aküleri kullanmadan önce şarj edin.

50°C üzerindeki sıcaklıklar kartuş akünün performansını düşürür.

Akünün güneş ışığı veya mekan sıcaklığı altında uzun süre ısınmasına dikkat edin.

Şarj cihazı ve kartuş aküdeki bağlantı kontaklarını temiz tutun.

Akünün ömrünün mükemmel bir şekilde uzun olması için kullandıktan sonra tamamen doldurulması gerekir.

Ömrünün mümkün olduğu kadar uzun olması için akülerin yüklem yapıldıktan sonra doldurma cihazından uzaklaştırılması gerekir.

Akünün 30 günden daha fazla depolanması halinde: Aküyü takriben 27°C'de kuru olarak depolayın. Aküyü yükleme durumunun takriben % 30 - %50 olarak depolayın. Aküyü her 6 ay yeniden doldurun.

Kullanılmış kartuş aküleri ateşe veya ev çöplerine atmayın. Milwaukee, kartuş akülerin çevreye zarar vermeyecek biçimde tasfiye edilmesine olanak sağlayarak hizmet sunar; lütfen bu konuda yetkili satıcınızdan bilgi alın.

Kartuş aküleri metal parça veya eşyalarla birlikte saklamayın (kısa devre tehlikesi).

M18 sistemli kartuş aküleri sadece M18 sistemli şarj cihazları ile şarj edin. Başka sistemli aküleri şarj etmeyin.

Kartuş aküleri ve şarj cihazını açmayın ve sadece kuru yerlerde saklayın. Neme ve ıslanmaya karşı koruyun.

Türkçe

Aşırı zorlanma veya aşırı ısınma sonucu hasar gören kartuş akülerden batarya sıvısı dışarı akabilir. Batarya sıvısı ile temasa gelen yeri hemen bol su ve sabunla yıkayın. Batarya sıvısı gözünüze kaçacak olursa en azından 10 dakika yıkayın ve zaman geçirmeden bir hekime başvurun.

Şarj cihazının kartuş akü yuvasına hiçbir şekilde metal parçalar kaçmamalıdır (kısa devre tehlikesi).

LİTYUM İYON PİLLERİN TAŞINMASI

Lityum iyon piller tehlikeli madde taşımacılığı hakkındaki yasal hükümler tabidir.

Bu piller, bölgesel, ulusal ve uluslararası yönetmeliklere ve hükümlere uyularak taşınmak zorundadır.

Tüketiciler bu pilleri herhangi bir özel şart aranmaksızın karayoluyla taşıyabilirler.

Lityum iyon pillerin nakliye şirketleri tarafından ticari taşımacılığı için tehlikeli madde taşımacılığının hükümleri geçerlidir. Sevk hazırlığı ve taşıma sadece ilgili eğitimi görmüş personel tarafından gerçekleştirilebilir. Bütün süreç uzmanca bir refakatçilik altında gerçekleştirilmelidir.

Pillerin taşınması sırasında aşağıdaki hususlara dikkat edilmesi gerekmektedir:

Kısa devre oluşmasını önlemek için kontakların korunmuş ve izole edilmiş olması sağlayınız. Pil paketinin ambalajı içinde kaymamasına dikkat ediniz. Hasarlı veya akmış pillerin taşınması yasaktır. Ayrıca bilgiler için nakliye şirketinize başvurunuz.

BAKIM

Sıkma çenelerinin ve sıkma makaralarının kolay hareket ediyor olmasına kontrol ediniz.

Çalışmaların tamamlanmasından sonra sıkma makaralarını, sürgüleri ve sıkma çenelerini temizleyiniz ve yağlayınız.

Bakım ve tamir işleri sadece yetkili tamirhaneler tarafından yapılabilir.

Cihaz, yeraltı suları için bir tehlike oluşturan hidrolik yağ içermektedir. Kontrolsüz olarak boşaltılması veya usulüne uygun olmayacak şekilde imha edilmesi cezalandırılır.

Sıkma cihazında bir sonraki bakım belirtilmektedir. Bu bakımın en az 2 yılda bir veya en geç LED gösterge ile gösterildiğinde yapılması gerekmektedir.

Aşınmış sıkma aletlerini değiştiriniz.

Aletin havalandırma aralıklarını daima temiz tutun.

Sadece Milwaukee aksesuarı ve yedek parçası kullanın. Nasıl değiştirileceği açıklanmamış olan yapı parçalarını bir Milwaukee müşteri servisinde değiştirin (Garanti ve servis adresi broşürüne dikkat edin).

Gerektiği takdirde aletin dağınık görünüş şeması, alet tipinin ve tip etiketi üzerindeki sayının bildirilmesi koşuluyla müşteri servisinden veya doğrudan Techtronic Industries GmbH, Max-Eyth-Straße 10, 71364 Winnenden, Germany adresinden istenebilir.

CE UYGUNLUK BEYANI

"Teknik veriler" başlığı altında tanımlanan ürünün, sayılı direktiflerdeki tüm hükümleri

2011/65/EU (RoHS)

2006/42/EC

2014/30/EU

uyumlaştırılmış standartları

EN 60745-1:2009 + A11:2010

EN ISO 12100:2010

EN 55014-1:2017+A11:2020

EN 55014-2:2015

EN IEC 63000:2018



Winnenden, 2021-08-19

Alexander Krug / Managing Director

Teknik evrakları hazırlamakla görevlendirilmiştir.

Techtronic Industries GmbH

Max-Eyth-Straße 10, 71364 Winnenden, Germany

SEMBOLLER



Lütfen aleti çalıştırmadan önce kullanma kılavuzunu dikkatli biçimde okuyun.



DİKKAT! UYARI! TEHLİKE!



Aletin kendinde bir çalışma yapmadan önce kartuş aküyü çıkarın.



UYARI!
İş parçalarının savrulması



İkaz! Sıkışma tehlikesi



Aksesuar - Teslimat kapsamında değildir, önerilen tamamlayıcı aksesuar programında.



Aletle çalışırken daima koruyucu gözlük kullanın.



Bakım etiketi



Elektrikli cihazların evsel atıklarla birlikte bertaraf edilmesi yasaktır. Elektrikli ve elektronik cihazlar ayrılarak biriktirilmeli ve çevreye zarar vermeden bertaraf edilmeleri için bir atık değerlendirme tesisine götürülmelidirler. Yerel makamlara veya satıcınıza geri dönüşüm tesisleri ve atık toplama merkezlerinin yerlerini danışınız.



Avrupa uyumluluk işareti



Britanya uyumluluk işareti



Ukrayna uyumluluk işareti



Avrasya uyumluluk işareti

TECHNICKÁ DATA Lisovací přístroj	M18 BLHPT
Výrobní číslo	4524 10 03 000001-999999
Napětí výměnného akumulátoru	18 V
Příkon	450 W
Jmenovitá síla	32 kN
Lisovací rozsah : Ø Umělá hmota & kompozitní trubky Ø kov do	63 mm (110 mm) 54 mm (108 mm) v závislosti na systému
Hmotnost podle prováděcího předpisu EPTA 01/2014 (Li-Ion 2,0 Ah)	2,9 kg
Hmotnost (M18 BLHPT / Li-Ion 2.0 Ah / J18-Th14)	4,7 kg
Informace o hluku	
Naměřená hodnota odpovídají EN 60745. V třídě A posuzovaná hladina hluku přístroje činí typicky:	
Hladina akustického tlaku (Kólisavost K=3dB(A))	76,5 dB (A)
Hladina akustického výkonu (Kólisavost K=3dB(A))	87,5 dB (A)
Použijte chrániče sluchu !	
Informace o vibracích	
Celkové hodnoty vibrací (vektorový součet tří směrů) zjištěné smyslu EN 60745.	
Hodnota vibračních emisí _h	<2,5 m/s ²
Válcovitost K=	1,5 m/s ²

VAROVÁNÍ!

Úroveň chvění uvedená v tomto návodu byla naměřena podle metody měření stanovené normou EN 60745 a může být použita pro porovnání elektrického nářadí. Hodí se také pro průběžný odhad zatížení chvěním.

Uvedená úroveň chvění představuje hlavní účely použití elektrického nářadí. Jestliže se ale elektrické nářadí používá pro jiné účely, s odlišnými nástroji nebo s nedostatečnou údržbou, může se úroveň chvění odlišovat. To může značně zvýšit zatížení chvěním během celé pracovní doby.

Pro přesný odhad zatížení chvěním se musí také zohlednit čas, během kterých je přístroj vypnutý nebo kdy je síce v chodu, ale skutečně se s ním nepracuje. To může zatížení chvěním během celé pracovní doby značně snížit.

Stanovte doplňková bezpečnostní opatření pro ochranu obsluhy před účinky chvění jako například: technická údržba elektrického nářadí a nástrojů, udržování teploty rukou, organizace pracovních procesů.

VAROVÁNÍ! Seznamte se se všemi bezpečnostními pokyny a síce i s pokyny. Zanedbání při dodržování varovných upozornění a pokynů mohou mít za následek úder elektrickým proudem, požár a ebo těžká poranění. **Všechna varovná upozornění a pokyny do budoucna uschovejte.**

BEZPEČNOSTNÍ UPOZORNĚNÍ PRO TISKOVÉ ZAŘÍZENÍ

Použijte ochranné vybavení. Při práci s elektrickým nářadím používejte vždy ochranné brýle. Doporučujeme rovněž použití součástí ochranného oděvu a ochranné obuvi, jako protiprašné masky, ochranných rukavic, pevné a neklouzající obuvi, ochranné přílby a ochrany sluchu.

Nikdy nevkládejte prsty nebo jiné části těla do pracovní zóny válce a lisovací čelisti.

Během procesu lisování nedržte páku čelistí rukama.

Lisovací nástroje a lisovací přístroje smejí používat jen kvalifikovaní odborníci.

Před každým použitím lisovací nástroje a lisovací přístroje zkontrolujte, jestli na nich nejsou trhliny nebo jiné známky opotřebení.

Lisovací nástroje a lisovací přístroje používejte pouze tehdy, jestliže jsou v technicky bezchybném stavu.

Poškození nechte okamžitě opravit v autorizované speciální dílně.

Přístroj se smí používat jen s nasazenou lisovací čelistí.

Při poruchách během procesu lisování okamžitě stiskněte výstražné tlačítko a uvolněte tlačítko spínače pro zapínání. Ventil se otevře a píst přejde zpět do výchozí polohy.

Je nutné provádět údržbu a dodržovat intervaly údržby.

Před zahájením veškerých prací na vrtacím šroubováku vyjmout výměnný akumulátor.

PRACOVNÍ POKYNY

Používejte jen lisovací tvarovky (ftinky) shodné se systémem a také lisovací čelisti určené k tomuto účelu.

Pokyny ke zpracování a montáži pro tvarovky nebo trubičky získáte v podkladech od dodavatele systému.

Zkontrolujte, jestli se jmenovitá světlost lisovací tvarovky shoduje se jmenovitou světlostí lisovací čelisti.

Po ukončení slisování je třeba dávat pozor na to, aby byla lisovací čelist kompletně uzavřena.

Nesprávné trubkové spoje musíte ještě jednou slisovat pomocí nové tvarovky.

Po ukončení instalačních prací pomocí vhodných měřicích prostředků zkontrolujte nepropustnost systému trubiček.

Lisovací přístroj není vhodný pro nepřetržitý provoz. Po 30 minutách nepřerušeno provozu se musí provést krátká přestávka po dobu minimálně 15 minut, aby se přístroj mohl ochladit.

OBLAST VYUŽITÍ

Lisovací přístroje a lisovací čelisti se smejí používat výhradně na slisování trubek a tvarovek, pro které jsou určené odpovídající lisovací čelisti.

Lisovací přístroje jsou určeny výhradně k použití takových lisovacích čelistí, které jsou firmou Milwaukee po dohodě s prodejcem systému označené za vhodné.

AKUMULÁTORY

Déle nepoužívané akumulátory je nutné před použitím znovu nabít. Teplota přes 50°C snižuje výkon akumulátoru. Chraňte před dlouhým přehříváním na slunci či u topení.

Kontakty nabíječky a akumulátoru udržujte v čistotě.

Pro optimální životnost je nutné akumulátory po použití plně dobít. K zabezpečení dlouhé životnosti by se akumulátory měly po nabití vyjmout z nabíječky.

Při skladování akumulátoru po dobu delší než 30 dní: Skladujte akumulátor v suchu při cca 27°C. Skladujte akumulátor při cca 30%-50% nabíjecí kapacitě. Opakujte nabíjení akumulátoru každých 6 měsíců.

Použité nevyhazujte do domovního odpadu nebo do ohně. Milwaukee nabízí ekologickou likvidaci starých článků, teptejte se u vašeho obchodníka s nářadím.

Náhradní akumulátor neskladujte s kovovými předměty, nebezpečí zkratu.

Akumulátor systému M18 nabíjejte pouze nabíječkou systému M18. Nenabíjejte akumulátory jiných systémů.

Náhradní akumulátory ani nabíječku neotvírejte, skladujte je v suchu, chraňte před vlhkem.



Při extrémní zátěži či vysoké teplotě může z akumulátoru vytékat kapalina. Při zasažení touto kapalinou okamžitě zasažená místa omyjte vodou a mýdlem. Při zasažení očí okamžitě důkladně po dobu alespoň 10min. omývat a neodkladně vyhledat lékaře.

V nabíjecím postu nabíječky neskladujte kovové předměty, nebezpečí zkratu.

PŘEPRAVA LITHIUM-IONTOVÝCH BATERIÍ

Lithium-iontové baterie spadají podle zákonných ustanovení pod přepravu nebezpečného nákladu.

Přeprava těchto baterií se musí realizovat s dodržováním lokálních, vnitrostátních a mezinárodních předpisů a ustanovení.

Spotřebitelé mohou tyto baterie bez problémů přepravovat po komunikacích.

Komerční přeprava lithium-iontových baterií prostřednictvím přepravních firem podléhá ustanovením o přepravě nebezpečného nákladu. Přípravu k vyexpedování a samotnou přepravu směji vykonávat jen příslušně vyškolené osoby. Na celý proces se musí odborně dohlížet.

Při přepravě baterií je třeba dodržovat následující:

Zajistěte, aby kontakty byly chráněné a izolované, aby se zamežilo zkratům. Dávejte pozor na to, aby se svazek baterií v rámci balení nemohl sesmeknout. Poškozená a vyteklé baterie se nesmějí přepravovat. Ohledně dalších informací se obraťte na vaši přepravní firmu.

ÚDRŽBA

Zkontrolujte lehkost chodu lisovacích čelistí a lisovacích válců.

Po ukončení prací lisovací válce, západku a lisovací čelisti očistěte a namažte.

Údržbářské a opravárenské práce směji vykonávat jen autorizované specializované dílny.

Přístroj obsahuje hydraulický olej, který představuje nebezpečí pro podzemní vodu. Jeho nekontrolované vypouštění nebo neodborná likvidace jsou trestné.

Na lisovacím přístroji je uvedena následující údržba. Tato údržba musí být provedena minimálně každé 2 roky nebo nejpozději tehdy, když to signalizuje LED indikátor.

Opatřené lisovací nástroje vyměňte.

Větrací štěrbiny náradí udržujeme stále čisté.

Používat výhradně příslušenství Milwaukee a náhradní díly Milwaukee. Díly jejichž výměny nebyla popsána, nechte vyměnit u autorizovaném servisu (viz: "Záruky / Seznam servisních míst")

Při potřebě podrobného rozkresu konstrukce, oslovte informaci o typu a čísle přímo servis a nebo výrobce, Techtronic Industries GmbH, Max-Eyth-Straße 10, 71364 Winnenden, Germany.

CE-PROHLÁŠENÍ O SHODĚ

Prohlašujeme na naši výhradní odpovědnost, že produkt popsán v části „Technické údaje“ splňuje všechna příslušná ustanovení směrníc

2011/65/EU (RoHS)

2006/42/ES

2014/30/EU

a byly použity následující harmonizované normy

EN 60745-1:2009 + A11:2010

EN ISO 12100:2010

EN 55014-1:2017+A11:2020

EN 55014-2:2015

EN IEC 63000:2018



Winnenden, 2021-08-19

Alexander Krug / Managing Director

Zplnomocněn k sestavování technických podkladů.

Techtronic Industries GmbH

Max-Eyth-Straße 10, 71364 Winnenden, Germany

SYMBOLY



Před spuštěním stroje si pečlivě přečtěte návod k používání.



POZOR! VAROVÁNÍ! NEBEZPEČÍ!



Před zahájením veškerých prací na vrtacím šroubováků vyjmout výměnný akumulátor.



VAROVÁNÍ!
Nebezpečí poranění odletujícími úlomky.



Pozor! Nebezpečí skřípnutí



Příslušenství není součástí dodávky, viz program příslušenství.



Při práci se strojem neustále nosit ochranné brýle.



Nálepka týkající se údržby



Elektrické přístroje se nesmí likvidovat společně s odpadem z domácnosti. Elektrické a elektronické přístroje je třeba sbírat odděleně a odevzdat je v recyklačním podniku na ekologickou likvidaci. Na místních úřadech nebo u vašeho specializovaného prodejce se informujte na recyklační podniky a sběrné dvory.



Značka shody v Evropě



Značka shody v Británii



Značka shody na Ukrajině



Značka shody pro oblast Eurasie

Česky

TECHNICKÉ ÚDAJE Klešče	M18 BLHPT
Výrobné číslo	4524 10 03 000001-999999
Napätie výmenného akumulátora	18 V
Príkon	450 W
Moč stiskania	32 kN
Tlačové centrum : Ø & kompozitné rúrky Ø kov do	63 mm (110 mm) 54 mm (108 mm) závislosti na nastavení systému
Hmotnosť podľa vykonávacieho predpisu EPTA 01/2014 (Li-Ion 2,0 Ah)	2,9 kg
Hmotnosť (M18 BLHPT / Li-Ion 2,0 Ah / J18-Th14)	4,7 kg
Informácia o hluku	
Namerané hodnoty určené v súlade s EN 60745. V triede A posudzovaná hladina hluku prístroja činí typicky: Hladina akustického tlaku (Kolísavosť K=3dB(A)) 76,5 dB (A) Hladina akustického výkonu (Kolísavosť K=3dB(A)) 87,5 dB (A)	
Používajte ochranu sluchu!	
Informácie o vibráciách	
Celkové hodnoty vibrácií (vektorový súčet troch smerov) zistených zmysle EN 60745.	
Hodnota vibračných emisií _a Kolísavosť K=	<2,5 m/s ² 1,5 m/s ²

POZOR!

Úroveň vibrácií uvedená v týchto pokynoch bola nameraná meracou metódou, ktorú stanovuje norma EN 60745 a je možné ju použiť na vzájomné porovnanie elektrického náradia. Hodí sa aj na predbežné posúdenie kmitavého namáhania.

Uvedená úroveň vibrácií reprezentuje hlavné aplikácie elektrického náradia. Ak sa však elektrické náradie používa pre iné aplikácie, s odlišnými vloženími nástrojmi alebo s nedostatočnou údržbou, môže sa úroveň vibrácií líšiť. Toto môže kmitavé namáhanie v priebehu celej pracovnej doby podstatne zvýšiť.

Pre presný odhad kmitavého namáhania by sa mali tiež zohľadniť doby, v ktorých je náradie vypnuté alebo je síce v chode, ale v skutočnosti sa nepoužíva. Toto môže kmitavé namáhanie v priebehu celej pracovnej doby zreteľne redukovať.

Stanovte dodatočné bezpečnostné opatrenia pre ochranu obsluhy pred účinkami vibrácií, ako napríklad: údržba elektrického náradia a vložení nástrojov, udržiavanie teploty rúk, organizácia pracovných postupov.

POZOR! Zoznámte sa so všetkými bezpečnostnými pokynmi. Zanedbanie dodržiavania Výstražných upozornení a pokynov uvedených v nasledujúcom texte môže mať za následok zásah elektrickým prúdom, spôsobiť požiar a/alebo ťažké poranenie. **Tieto Výstražné upozornenia a bezpečnostné pokyny starostlivo uschovajte na budúce použitie.**

BEZPEČNOSTNÉ UPOZORNENIA PRE TLAČOVÉ ZARIADENIE

Použite ochranné vybavenie. Pri práci s elektrickým náradím používajte vždy ochranné okuliare. Doporučujeme taktiež používať súčasti ochranného odevu a ochranné obuvi, ako sú protiprašná

maska, ochranné rukavice, pevná a neklzájúca obuv, ochranná prilba a ochrana sluchu.

Nikdy nevkladajte prsty alebo iné časti tela do pracovnej zóny valca a lisovacích čelustí.

Počas procesu lisovania nedržte páku čelustí rukami.

Lisovacie nástroje a lisovacie prístroje smú používať len kvalifikovaní odborníci.

Pred každým použitím lisovacie nástroje a lisovacie prístroje skontrolujte, či na nich nie sú trhliny alebo iné prejavy opotrebenia.

Lisovacie nástroje a lisovacie prístroje používajte len vtedy, ak sú v technicky bezchybnom stave.

Poškodenia nechajte okamžite opraviť v autorizovanej špecializovanej dielni.

Prístroj sa smie používať len s nasadenou lisovacou čelustou.

Pri poruchách počas procesu lisovania stlačte okamžite výstražné tlačidlo a pusťte tlačidlo zapínača. Ventil sa otvorí a piest prejde späť do východiskovej polohy.

Nutne dodržiavajte údržbu a intervaly údržby.

Pred každou prácou na stroji výmenný akumulátor vytriahnuť.

NAPOTKI ZA DELO

Používajte len lisovacie tvarovky (fitiny) konformné so systémom ako aj na to určené lisovacie čeluste.

Pokyny ku spracovaniu a montáži pre tvarovky alebo rúrky získate v podkladoch od dodávateľa systému.

Skontrolujte, či sa menovitá svetlosť lisovacej tvarovky zhoduje s menovitou svetlosťou lisovacej čeluste.

Po ukončení zlisovani treba dávať pozor na to, aby bola lisovacia čelusť kompletne uzavretá.

Nesprávne rúrkové spoje musíte ešte raz zlisovať pomocou novej tvarovky.

Po ukončení inštaláčnych prác pomocou vhodných meracích prostriedkov skontrolujte nepriepustnosť systému rúrok.

Lisovací prístroj nie je vhodný na nepretržitú prevádzku. Po 30 minútach neprerušenej prevádzky sa musí zrealizovať krátka prestávka v trvaní minimálne 15 minút, aby sa prístroj mohol schladieť.

POUŽITIE PODĽA PREDPISOV

Lisovacie prístroje a lisovacie čeluste sa smú používať výhradne na zlisovanie rúr a tvaroviek, pre ktoré sú určené adekvátne lisovacie čeluste.

Lisovacie prístroje sú určené výhradne na použitie takých lisovacích čelustí, ktoré sú firmou Milwaukee po dohode s predajcom systému označené za vhodné.

AKUMULÁTORY

Dlhší čas nepoužívajte výmenné akumulátory pred použitím dobíť.

Teplota vyššia ako 50°C znižuje výkon výmenného akumulátora. Zabráňte dlhšiemu ohriatiu slnkom alebo kúrením.

Pripájacie kontakty na nabíjacom zariadení a výmennom akumulátore udržiavať čisté.

Pre optimálnu životnosť je nutné akumulátory po použití plne dobíť.

K zabezpečeniu dlhej životnosti by sa akumulátory mali po nabití vybrať z nabíjačky.

Pri skladovaní akumulátora po dobu dlhšiu než 30 dní: Skladujte akumulátor v suchu pri cca 27°C. Skladujte akumulátor pri cca 30%-50% nabíjacej kapacity. Opakujte nabíjanie akumulátora každých 6 mesiacov.

Opotrebované výmenné akumulátory nezahadzujte do ohňa alebo medzi domový odpad. Milwaukee ponúka likvidáciu starých



Slovo

výmenných akumulátorov, ktorá je v súlade s ochranou životného prostredia; informujte sa u Vášho predajcu.

Výmenné akumulátory neskladovať spolu s kovovými predmetmi (nebezpečenstvo skratu).

Výmenné akumulátory systému M18 nabíjať len nabíjacími zariadeniami systému M18. Akumulátory iných systémov týmto zariadením nenabíjať.

Výmenné akumulátory a nabíjacie zariadenia neatvárať a skladovať len v suchých priestoroch. Chrániť pred vlhkosťou.

Pri extrémnych záťažach alebo extrémnych teplotách môže dôjsť k vytekaniu batérovej tekutiny z poškodeného výmenného akumulátora. Ak dôjde ku kontaktu pokožky s roztokom, postihnuté miesto umyť vodou a mydlom. Ak sa roztok dostane do očí, okamžite ich dôkladne vypláchnuť po dobu min. 10 min a bezodkladne vyhľadať lekára.

Do zasúvacieho otvoru pre výmenné akumulátory na nabíjacom zariadení, sa nesmú dostať žiadne kovové predmety (nebezpečenstvo skratu).

PREPRAVA LÍTIOVO-IÓNOVÝCH BATÉRIÍ

Lítiovo-iónové batérie podľa zákonných ustanovení spadajú pod prepravu nebezpečného nákladu.

Preprava týchto batérií sa musí realizovať s dodržiavaním lokálnych, vnútroštátnych a medzinárodných predpisov a ustanovení. Spotrebiteľia môžu tieto batérie bez problémov prepravovať po cestách.

Komerčná preprava lítiovo-iónových batérií prostredníctvom špedičných firiem podlieha ustanoveniam o preprave nebezpečného nákladu. Prípravu k vyexpedovaniu a samotnú prepravu smú vykonávať iba adekvátne vyskolené osoby. Na celý proces sa musí odborné dohliadať.

Pri preprave batérií treba dodržiavať nasledovné:

Zabezpečiť, aby boli kontakty chránené a izolované, aby sa zamedzilo skratom. Dávajte pozor na to, aby sa zväzok batérií v rámci balenia nemohol zošmyknúť. Poškodené a vytečené batérie sa nesmú prepravovať. Kvôli ďalším informáciám sa obráťte na vašu špedičnú firmu.

ÚDRŽBA

Skontrolujte ľahkosť chodu lisovacích čelustí a lisovacích valcov.

Po ukončení prác lisovacie valce, západku a lisovacie čeluste očistite a namažte.

Údržbárske a opravárenské práce smú vykonávať len autorizovaná špecializovaná dielňa.

Prístroj obsahuje hydraulický olej, ktorý predstavuje nebezpečenstvo pre podzemnú vodu. Jeho nekontrolované vypúšťanie alebo neodborná likvidácia sú trestné.

Na lisovacom prístroji je uvedená nasledujúca údržba. Táto údržba musí byť realizovaná minimálne každé 2 roky alebo najneskôr vtedy, keď to signalizuje LED indikátor.

Opotrebené lisovacie nástroje vymeňte.

Vetracie otvory udržiavať stále v čistote.

Používať len Milwaukee príslušenstvo a Milwaukee náhradné diely.

Súčasti bez návodu na výmenu treba dat vymeniť v jednom z Milwaukee zákaznických centier (viď brožúru Záruka/Adresy zákaznických centier).

Pri udaní typu stroja a čísla nachádzajúceho sa na štítku dá sa v prípade potreby vyžiadať explozívna schéma prístroja od vášho zákaznického centra alebo priamo v Techtronic Industries GmbH, Max-Eyth-Straße 10, 71364 Winnenden, Germany.

CE - VYHLÁSENIE KONFORMITY

Na našu výhradnú zodpovednosť vyhlasujeme, že produkt popísaný v časti „Technické údaje“ spĺňa všetky príslušné ustanovenia smerníc

2011/65/EU (RoHS)

2006/42/ES

2014/30/EU

a boli použité nasledovné harmonizované normy

EN 60745-1:2009 + A11:2010

EN ISO 12100:2010

EN 55014-1:2017+A11:2020

EN 55014-2:2015

EN IEC 63000:2018



Winnenden, 2021-08-19

Alexander Krug / Managing Director

Splnomocnený zostaviť technické podklady.

Techtronic Industries GmbH

Max-Eyth-Straße 10, 71364 Winnenden, Germany

SYMBOLY



Pred prvým použitím prístroja si pozorne prečítajte návod na obsluhu.



POZOR! NEBEZPEČENSTVO!



Pred každou prácou na stroji výmenný akumulátor vyňatť.



POZOR!

Výstraha pred odmrštenými predmetmi



Výstraha! Nebezpečenstvo pomliaždenia



Príslušenstvo - nie je súčasťou štandardnej výbavy, odporúčané doplnenie z programu príslušenstva.



Pri práci so strojom vždy noste ochranné okuliare.



Nálepká týkajúca sa údržby



Elektrické prístroje sa nesmú likvidovať spolu s odpadom z domácnosti. Elektrické a elektronické prístroje treba zbierať oddelene a odovzdať ich v recyklačnom podniku na ekologickú likvidáciu. Na miestnych úradoch alebo u vášho špecializovaného predajcu sa spýtajte na recyklačné podniky a zberné dvory.



Značka zhody v Európe



Značka zhody v Británii



Značka zhody na Ukrajine



Značka zhody pre oblasť Eurázie



Slov

Slovensky

DANE TECHNICZNE Zaciskarka	M18 BLHPT
Numer produkcyjny	4524 10 03 000001-999999
Napięcie baterii akumulatorowej	18 V
Pobór mocy	450 W
Siła znamionowa	32 kN
Zakres zaciskania : Ø Tworzywa sztuczne & Rury kompozytowe Ø Metal do	63 mm (110 mm) 54 mm (108 mm) w zależności od systemu
Ciężar wg procedury EPTA 01/2014 (Li-Ion 2,0 Ah)	2,9 kg
Ciężar (M18 BLHPT / Li-Ion 2.0 Ah / J18-Th14)	4,7 kg
Informacja dotycząca szumów Zmierzone wartości wyznaczono zgodnie z normą EN 60745. Poziom szumów urządzenia oszacowany jako A wynosi typowo: Poziom ciśnienia akustycznego (Niepewność K=3dB(A))	76,5 dB (A)
Poziom mocy akustycznej (Niepewność K=3dB(A))	87,5 dB (A)
Należy używać ochroniaczy uszu!	
Informacje dotyczące wibracji Wartości łączne drgań (suma wektorowa trzech kierunków) wyznaczone zgodnie z normą EN 60745 Wartość emisji drgań _h	<2,5 m/s ²
Niepewność K=	1,5 m/s ²

OSTRZEŻENIE!

Podany w niniejszych instrukcjach poziom drgań został zmierzony za pomocą metody pomiarowej zgodnej z normą EN 60745 i może być użyty do porównania ze sobą elektronarzędzi. Nadaje się on również do tymczasowej oceny obciążenia wibracyjnego.

Podany poziom drgań reprezentuje główne zastosowania elektronarzędzia. Jeśli jednakże elektronarzędzie użyte zostanie do innych celów z innymi narzędziami roboczymi lub nie jest dostatecznie konserwowane, wtedy poziom drgań może wykazywać odchylenia. Może to wyraźnie zwiększyć obciążenie wibracjami przez cały okres pracy.

Dla dokładnego określenia obciążenia wibracjami należy uwzględnić również czas, w których urządzenie jest wyłączone względnie jest włączone, lecz w rzeczywistości nie pracuje. Może to spowodować wyraźną redukcję obciążenia wibracyjnego w całym okresie pracy.

Należy wprowadzić dodatkowe środki zapobiegawcze celem ochrony obsługującego przed oddziaływaniem drgań, jak na przykład: konserwacja narzędzi roboczych i elektronarzędzi, nagrzanie rąk, organizacja przebiegu pracy.



OSTRZEŻENIE! Prosimy o przeczytanie wskazówek bezpieczeństwa i zaleceń, również tych. Błędy w przestrzeganiu poniższych wskazówek mogą spowodować porażenie prądem, pożar i/lub ciężkie obrażenia ciała. **Należy starannie przechowywać wszystkie przepisy i wskazówki bezpieczeństwa dla dalszego zastosowania.**



OSTRZEŻENIA DOTYCZĄCE BEZPIECZEŃSTWA PRACY PRZY PRASIE

Stosować wyposażenie ochronne. Przy pracy maszyną zawsze nosić okulary ochronne. Zalecana jest odzież ochronna, jak maska pyłochronna, rękawice ochronne, mocne i chroniące przed poślizgiem obuwie, kask i ochronniki słuchu.

Nigdy nie należy trzymać palców lub innych części ciała w obszarze roboczym cylindra oraz szczęk prasujących.

Podczas procesu prasowania nie należy przytrzymywać dźwigni prasującej rękami.

Narzędzia prasujące i urządzenia prasujące mogą być używane wyłącznie przez fachowca.

Przed każdym użyciem narzędzi prasujących i urządzeń prasujących należy je skontrolować pod względem pęknięć i innych objawów zużycia.

Narzędzia prasujące i urządzenia prasujące należy użytkować wyłącznie w stanie nienagannym pod względem technicznym.

Naprawę uszkodzeń należy natychmiast zlecić autoryzowanemu warsztatowi specjalistycznemu.

Urządzenie wolno użytkować wyłącznie z założoną szczęką prasującą.

W przypadku wystąpienia zakłóceń podczas procesu prasowania należy natychmiast nacisnąć wyłącznik bezpieczeństwa i zwolnić przełącznik EIN [WŁĄCZONE]. Zawór otwiera się i tłok przemieszcza się z powrotem do pozycji wyjściowej.

Bezwzględnie należy przestrzegać konserwacji i przedziałów czasu pomiędzy konserwacjami.

Przed przystąpieniem do jakichkolwiek prac na elektronarzędziu należy wyjąć wkładkę akumulatorową.

WSKAZÓWKI DOTYCZĄCE UŻYTKOWANIA

Należy stosować wyłącznie zgodnie z systemem prasowane kształtki rurowe i zaprojektowane dla nich szczęki prasujące.

Instrukcje dotyczące obróbki i montażu dla kształtek rurowych oraz rur należy wziąć z dokumentacji oferenta systemu.

Należy skontrolować, czy średnica znamionowa kształtki rurowej jest zgodna ze średnicą znamionową szczęki prasującej.

Po zakończonym prasowaniu należy zwracać uwagę na to, żeby szczeka prasująca była całkowicie zamknięta.

Nieprawidłowe złącza rurowe muszą zostać ponownie sprasowane z nową kształtką rurową.

Po zakończeniu robót instalacyjnych należy za pomocą odpowiednio przystosowanych środków kontrolnych skontrolować system rurowy pod względem szczelności.

Urządzenie prasujące nie nadaje się do pracy ciągłej. Po 30 minutach nieprzerwanej eksploatacji musi zostać wprowadzona krótka przerwa wynosząca co najmniej 15 minut, aby urządzenie mogło się ochłodzić.

WARUNKI UŻYTKOWANIA

Urządzenia prasujące oraz szczęki prasujące wolno stosować wyłącznie do prasowania rur i kształtek rurowych, dla których przewidziane są odpowiednie szczęki prasujące.

Urządzenia prasujące przewidziane są wyłącznie do zastosowania szczęk prasujących, które zadeklarowane są przez firmę Milwaukee w porozumieniu z oferentem systemu jako odpowiednie.



Pol

BATERIE AKUMULATOROWE

Akumulatory, które nie były przez dłuższy czas użytkowane, należy przed użyciem naładować.

W temperaturze powyżej 50°C następuje spadek osiągniętych wkladki akumulatorowej. Unikaj długotrwałego wystawienia na oddziaływanie ciepła lub promieni słonecznych (niebezpieczeństwo przegrzania).

Styki ładowarek i wkładek akumulatorowych należy utrzymywać w czystości

Dla zapewnienia optymalnej żywotności akumulatory po użyciu należy naładować do pełnej pojemności.

Dla zapewnienia możliwie długiej żywotności akumulatory należy wyjąć z ładowarki po ich naładowaniu.

W przypadku składowania akumulatorów dłużej aniżeli 30 dni: Przechowywać je w suchym miejscu w temperaturze ok. 27°C. Przechowywać je w stanie naładowanym do ok. 30% - 50%. Ładować je ponownie co 6 miesięcy.

Zużytych akumulatorów nie wolno wrzucać do ognia ani traktować jako odpadów domowych. Milwaukee oferuje ekologiczną utylizację zużytych akumulatorów.

Nie przechowywać akumulatorów wraz z przedmiotami metalowymi (niebezpieczeństwo zwarcia).

Akumulatory Systemu M18 należy ładować wyłącznie przy pomocy ładowarek Systemu M18. Nie ładować przy pomocy tych ładowarek akumulatorów innych systemów.

Nie otwierać wkładek akumulatorowych i ładowarek. Przechowywać w suchych pomieszczeniach. Chronić przed wilgocią.

W skrajnych warunkach temperaturowych lub przy bardzo dużym obciążeniu może dochodzić do wycieku kwasu akumulatorowego z uszkodzonych baterii akumulatorowych. W przypadku kontaktu z kwasem akumulatorowym należy natychmiast przemyć miejsce kontaktu wodą z mydłem. W przypadku kontaktu z oczami należy dokładnie przepłukiwać oczy przynajmniej przez 10 minut i zwrócić się natychmiast o pomoc medyczną.

Do ładowarki nie wolno wkładać żadnych przedmiotów metalowych (niebezpieczeństwo zwarcia).

TRANSPORT AKUMULATORÓW LITOWO-JONOWYCH

Akumulatory litowo-jonowe podlegają ustawowym przepisom dotyczącym transportu towarów niebezpiecznych.

Transport tych akumulatorów winien odbywać się przy przestrzeganiu lokalnych, krajowych i międzynarodowych rozporządzeń i przepisów.

Odbiorcom nie wolno transportować tych akumulatorów po drogach ot tak po prostu.

Komercyjny transport akumulatorów litowo-jonowych przez przedsiębiorstwa spedycyjne podlega przepisom dotyczącym transportu towarów niebezpiecznych. Przygotowania do wysyłki oraz transport mogą być wykonywane wyłącznie przez odpowiednio przeszkolone osoby. Cały proces winien odbywać się pod fachowym nadzorem.

W czasie transportu akumulatorów należy przestrzegać następujących punktów:

Celem uniknięcia zwarcia należy upewnić się, że zestyki są zabezpieczone i zaizolowane. Zwracać uwagę na to, aby zespół akumulatorów nie mógł się przemieszczać we wnętrzu opakowania. Nie wolno transportować akumulatorów uszkodzonych lub z wyciekającym z elektrolitem. Odnośnie dalszych wskazówek należy zwrócić się do swojego przedsiębiorstwa spedycyjnego.

UTRZYMANIE I KONSERWACJA

Należy skontrolować lekkość biegu szczęk prasujących i rolek prasujących.

Po zakończeniu robót należy oczyścić i posmarować rolki prasujące, rygle i szczęki prasujące.

Roboty konserwacyjne i roboty naprawcze mogą być wykonywane wyłącznie przez autoryzowane warsztaty specjalistyczne.

Urządzenie zawiera olej hydrauliczny, który stanowi zagrożeniem dla wody gruntowej. Niekontrolowane spuszczenie oleju lub niewłaściwe usuwanie oleju do odpadów jest karalne.

Na urządzeniu prasującym podawany jest termin następnej konserwacji. Konserwacja ta musi być przeprowadzana co najmniej co 2 lata lub najpóźniej wtedy, gdy zasignalizuje to wskaźnik LED.

Zużyte narzędzia prasujące należy wymienić.

Otwory wentylacyjne elektronarzędzia muszą być zawsze drożne.

Używać tylko i wyłącznie wyposażenia dodatkowego Milwaukee i części zamiennych Milwaukee. Gdyby trzeba było wymienić części, które nie zostały opisane, należy skontaktować się z przedstawicielem serwisu Milwaukee (patrz wykaz adresów punktów usługowych/gwarancyjnych).

Na życzenie można otrzymać rysunek widoku zespołu rozebranego. Przy zamawianiu należy podać numer oraz typ elektronarzędzia umieszczonego na tabliczce znamionowej. Zamówienia można dokonać albo u lokalnych przedstawicieli serwisu, albo bezpośrednio w Techtronic Industries GmbH, Max-Eyth-Straße 10, 71364 Winnenden, Germany.

DEKLARACJA ZGODNOŚCI CE

Oświadczamy na naszą wyłączną odpowiedzialność, że produkt opisany pod „Dane techniczne” spełnia wszystkie istotne przepisy dyrektyw

2011/65/EU (RoHS)

2006/42/WE

2014/30/EU

i zastosowano następujące zharmonizowane normy

EN 60745-1:2009 + A11:2010

EN ISO 12100:2010

EN 55014-1:2017+A11:2020

EN 55014-2:2015

EN IEC 63000:2018



Winnenden, 2021-08-19

Alexander Krug / Managing Director

Upelnomocniony do zestawienia danych technicznych

Techtronic Industries GmbH

Max-Eyth-Straße 10, 71364 Winnenden, Germany

SYMBOLE



Przed uruchomieniem elektronarzędzia zapoznać się uważnie z treścią instrukcji.



UWAGA! OSTRZEŻENIE NIEBEZPIECZEŃSTWO!



Przed przystąpieniem do jakichkolwiek prac na elektronarzędziu należy wyjąć wkładkę akumulatorową.



OSTRZEŻENIE!
Niebezpieczeństwo zranienia odpryskującymi odłamkami



Ostrzeżenie! Niebezpieczeństwo zmiądzenia!



Wyposażenie dodatkowe dostępne osobno.



Podczas pracy należy zawsze nosić okulary ochronne.



Naklejka konserwacyjna



Urządzenia elektryczne nie mogą być usuwane razem z odpadami pochodzącymi z gospodarstw domowych. Urządzenia elektryczne i elektroniczne należy gromadzić oddzielnie i w celu usuwania ich do odpadów zgodnie z wymaganiami środowiska naturalnego oddawać do przedsiębiorstwa utylizacyjnego. Proszę zasięgnąć informacji o centrach recyklingowych i punktach zbiorczych u władz lokalnych lub u wyspecjalizowanego dostawcy.



Europejski Certyfikat Zgodności



Brytyjski Certyfikat Zgodności



Ukraiński Certyfikat Zgodności



Euroazjatycki Certyfikat Zgodności



MŰSZAKI ADATOK Préseszköz	M18 BLHPT
Gyártási szám	4524 10 03 000001-999999
Akkumulátor feszültség	18 V
Felvett teljesítmény	450 W
Névleges energia	32 kN
Munkaterület : Ø & kompozit csövek Ø Fém napjág	63 mm (110 mm) 54 mm (108 mm) Rendszer függő
Súly a 01/2014 EPTA-eljárás szerint (Li-Ion 2,0 Ah)	2,9 kg
Súly (M18 BLHPT / Li-Ion 2.0 Ah / J18-Th14)	4,7 kg

Zajinformáció

A közölt értékek megfelelnek az EN 60745 szabványnak. A készülék munkahelyi zajszintje tipikusan:

Hangnyomás szint (K bizonytalanság=3dB(A))	76,5 dB (A)
Hangteljesítmény szint (K bizonytalanság=3dB(A))	87,5 dB (A)

Hallásvédő eszköz használata ajánlott!

Vibráció-információk

Összesített rezgésértékek (három irány vektorális összeg az EN 60745-nek megfelelően meghatározva).

rezgésémisszió értéke _a	<2,5 m/s ²
K bizonytalanság	1,5 m/s ²

FIGYELMEZTETÉS!

A jelen utasításokban megadott rezgésszint értéke az EN 60745-ben szabályozott mérési eljárásnak megfelelően került leírásra, és használható elektromos szerszámokkal történő összehasonlításhoz. Az érték alkalmas a rezgésterhelés előzetes megbecslésére is.

A megadott rezgésszint-érték az elektromos szerszám legfőbb alkalmazásait reprezentálja. Ha az elektromos szerszámot azonban más alkalmazásokhoz, eltérő használt szerszámokkal vagy nem elegendő karbantartással használják, a rezgésszint értéke eltérő lehet. Ez jelentősen megnövelheti a rezgésterhelést a munkavégzés teljes időtartama alatt.

A rezgésterhelés pontos megbecsléséhez azokat az időket is figyelembe kell venni, melyekben a készülék lekapcsolódik, vagy ugyan működik, azonban ténylegesen nincs használatban. Ez jelentősen csökkentheti a rezgésterhelést a munkavégzés teljes időtartama alatt.

Határozzon meg további biztonsági intézkedéseket a kezelő védelmére a rezgések hatása ellen, például: az elektromos és a használt szerszámok karbantartásával, a kezek melegen tartásával, a munkafolyamatok megszervezésével.



FIGYELMEZTETÉS! Olvasson el minden biztonsági útmutatót és utasítást. A következőkben leírt előírások betartásának elmulasztása áramütésekhez, tűzhöz és/vagy súlyos testi sérülésekhez vezethet. **Kérjük a későbbi használatra gondosan őrizze meg ezeket az előírásokat.**

NYOMJA LE AZ ESZKÖZ BIZTONSÁGI FIGYELMEZTÉSEIT

Használjon védőfelszerelést! Ha a gépen dolgozik, mindig hordjon védőszemüveget! Javasoljuk a védőruházat, úgymint porvédő maszk, védőcipő, erős és csúszásbiztos lábbeli, sisak és hallásvédő használatát.

Soha ne tartsa az ujját vagy más testrészét a henger és a présfóák működési tartományába.

A préselés alatt e tartsa meg kézzel a pófa-kart.

A préserszámokat és készülékeket csak szakember használhatja.

A préserszámokat és készülékeket minden használat előtt ellenőrizni kell repedések, és egyéb kopásra utaló jelek tekintetében.

A préserszámokat és készülékeket csak műszakilag kifogástalan állapotban használja.

A sérüléseket azonnal javíttassa meg arra jogosult szakműhelyben.

A készüléket csak behelyezett présfóával együtt szabad használni.

Préselés közben fellépő zavarok esetén azonnal nyomja meg a vészkapcsolót, és engedje el a BE kapcsolót. A szelep kinyílik, és a dugattyú visszatér a kiindulási pozícióba.

A karbantartási műveletek és a karbantartási intervallumok betartása kötelező.

Karbantartás, javítás, tisztítás, stb. előtt az akkumulátort ki kell venni a készülékből.

A HASZNÁLATRA VONATKOZÓ ÚTMUTATÁSOK

Csak rendszerkonform présfittingeket, valamint azokhoz méretezett présfóákat használjon.

A fittingekre vagy csövekre vonatkozó megmunkálási és szerelési utasításokat lásd a rendszer gyártójának dokumentációjában.

Ellenőrizze, hogy a présfitting névleges átmérője megegyezik-e a présfóa névleges átmérőjével.

A préselés befejezését követően ügyeljen arra, hogy a présfóa teljesen zárva legyen.

A nem megfelelő csökötéseket új fittinggel újra kell préselni.

A telepítési munkák befejezését követően megfelelően alkalmas vizsgáló eszközökkel ellenőrizze a csőrendszer tömítettségét.

A préskészülék nem alkalmas tartós üzemelésre. 30 perc szünet nélküli üzemelés követően legalább 15 perc rövid szünetet kell tartani, hogy a készülék le tudjon hűlni.

RENDELTESSZERŰ HASZNÁLAT

A préskészülékek és présfóák kizárólag azon csövek és fittingek préseléséhez használhatók fel, amelyekhez a megfelelő présfóák valók.

A préskészülékeket kizárólag olyan présfóák használatára tervezték, amelyeket a Milwaukee a rendszer gyártójával egyezően megfelelően nyilvánított.

AKKUK

A hosszabb ideig üzemben kívüli lévő akkumulátort használat előtt ismételen fel kell tölteni.

50°C feletti hőmérsékletnél csökkenhet az akkumulátor teljesítménye. Kerülni kell a túlzottan meleg helyen vagy napon történő hosszabb idejű tárolást.

A töltő és az akkumulátor csatlakozóit mindig tisztán kell tartani. Az optimális élettartam érdekében használat után az akkukat teljesen fel kell tölteni.

A lehetőleg hosszú élettartamhoz az akkukat feltöltés után ki kell venni a töltőkészülekből.

Az akku 30 napot meghaladó tárolása esetén: Az akkut kb. 27 °C-on, száraz helyen kell tárolni. Az akkut kb. 30-50%-os töltöttség állapotban kell tárolni. Az akkut 6 havonta újra fel kell tölteni.

A használt akkumulátort ne dobja tűzbe vagy a háztartási szemétkbe. Tájékozzon a szakszerű megsemmisítés helyi lehetőségeiről. Az akkumulátort ne tárolja együtt fém tárgyakkal. (Rövidzárlat veszélye).

Az M18 elnevezésű rendszerhez tartozó akkumulátorokat kizárólag a rendszerhez tartozó töltővel töltsse fel. Ne használjon más rendszerbe tartozó töltőt.

Az akkumulátort, töltőt nem szabad megbontani és kizárólag száraz helyen szabad tárolni. Nedvességtől óvni kell.

Akkumulátor sav folyhat a sérült akkumulátorból extrém terhelés alatt, vagy extrém hő miatt. Ha az akkumulátor sav a bőrére kerül azonnal mossa meg szappanos vízzel. Szembe kerülés esetén folyóvíz alatt tartsa a szemét minimum 10 percig és azonnal forduljon orvoshoz.

Ügyeljen arra, hogy a töltő aknájába ne kerüljön semmilyen fém tárgy, mert ez rövidzárlatot okozhat.

LÍTIUM-ION AKKUK SZÁLLÍTÁSA

A lítium-ion akkuk a veszélyes áruk szállítására vonatkozó törvényi rendelkezések hatálya alá tartoznak.

Az ilyen akkuk szállításának a helyi, országos és nemzetközi előírások és rendelkezések betartása mellett kell történnie.

A fogyasztók minden további nélkül szállíthatják az ilyen akkukat közúton.

A lítium-ion akkuk szállítmányozási vállalatok általi kereskedelmi célú szállítására a veszélyes áruk szállítására vonatkozó rendelkezések érvényesek. A kiszállítás előkészítését és a szállítást kizárólag megfelelő képzettségű személyek végezhetik. A teljes folyamatnak szakmai felügyelet alatt kell történnie.

A következő pontokat kell figyelembe venni akkuk szállításakor: Biztosítsa, hogy a rövidzárlatok elkerülése érdekében az érintkezők védve és szigetelve legyenek. Ügyeljen arra, hogy az akkusomag ne tudjon elcsúszni a csomagoláson belül. Tilos sérült vagy kifolyt akkukat szállítani. További útmutatásokért forduljon szállítmányozási vállalatához.

KARBANTARTÁS

Ellenőrizze, hogy a présfóák és a présgörgők könnyen mozgathatók-e.

A munka befejezését követően a présgörgőket, a reteszt és a présfóákat meg kell tisztítani és zsírozni.

Karbantartási és javítási munkákat csak arra jogosult szakműhely végezhet.

A készülék hidraulikaolajat tartalmaz, amely veszélyt jelent a talajvízre. Az olaj ellenőrizetlen leeresztése vagy szakszerűtlen ártalmatlanítása büntetendő.

A préskészüléken megtalálható a következő karbantartás időpontja. Ezt a karbantartást legalább két évente el kell végezni, de legkésőbb akkor, ha jelzi a LED-kijelző.

Az elhasználadott prészerszámokat ki kell cserélni.

A készülék szellőzőnyílásait mindig tisztán kell tartani.

Csak Milwaukee tartozékokat és Milwaukee pótalkatrészeket szabad használni. Az olyan elemeket, melyek cseréje nincs ismertetve, cseréltesse ki Milwaukee szervizzel (lásd Garancia/Ügyfélszolgálat címei kiadványt).

Szükség esetén a készülékek robbantott ábráját - a készülék típusa és azonosító száma alapján a területileg illetékes Milwaukee márkaszerviztől vagy közvetlenül a gyártótól (Techtronic Industries GmbH, Max-Eyth-Straße 10, 71364 Winnenden, Germany) lehet kérni.

CE-AZONOSSÁGI NYILATKOZAT

Kizárólagos felelősségünk alapján kijelentjük, hogy a „Műszaki adatok” fejezetben leírt termék megfelel a irányelvek összes vonatkozó rendelkezésének
2011/65/EU (RoHS)

2006/42/EK
2014/30/EU
harmonizált szabvány és a
EN 60745-1:2009 + A11:2010
EN ISO 12100:2010
EN 55014-1:2017+A11:2020
EN 55014-2:2015
EN IEC 63000:2018



Winnenden, 2021-08-19

Alexander Krug / Managing Director
Műszaki dokumentáció összeállításra felhatalmazva
Techtronic Industries GmbH
Max-Eyth-Straße 10, 71364 Winnenden, Germany

SZÍMBÓLUMOK



Kérjük alaposan olvassa el a tájékoztatót mielőtt a gépet használja.



FIGYELEM! FIGYELMEZTETÉS! VESZÉLY!



Karbantartás, javítás, tisztítás, stb. előtt az akkumulátort ki kell venni a készülékből.



FIGYELMEZTETÉS!
Elhajított tárgyak!



Figyelmeztetés! Becsapódás veszélye



Azokat a tartozékokat, amelyek gyárilag nincsenek a készülékhez mellékelve, külön lehet megrendelni.



Munkavégzés közben ajánlatos védőszemüveget viselni.



Karbantartási matrica



Az elektromos eszközöket nem szabad a háztartási hulladékkal együtt ártalmatlanítani. Az elektromos és elektronikus eszközöket szelektíven kell gyűjteni, és azokat környezetbarát ártalmatlanítás céljából hulladékhasznosító üzemben kell leadni. A helyi hatóságoknál vagy szakkereskedőjénél tájékozódjon a hulladékudvarokról és gyűjtőhelyekről.



Európai megfelelőségi jelölés



Egyesült királyságbeli megfelelőségi jelölés



Ukrán megfelelőségi jelölés



Eurázsiai megfelelőségi jelölés



TEHNIČNI PODATKI Lisovacie kliešte	M18 BLHPT
Proizvodna številka	4524 10 03 000001-999999
Napetost izmenljivega akumulatorja	18 V
Napajanje	450 W
Lisovacia sila	32 kN
Novinarsko središče : Ø & kompozitne cevi Ø Kovina do	63 mm (110 mm) 54 mm (108 mm) sistem odvisna
Teža po EPTA-proceduri 01/2014 (Li-Ion 2,0 Ah)	2,9 kg
Teža (M18 BLHPT / Li-Ion 2.0 Ah / J18-Th14)	4,7 kg
Informacije o hrupnosti Vrednosti merjenja ugotovljene ustrezno z EN 60745. Raven hrupnosti naprave ovrednotena z A, znaša tipično: Nivo zvočnega tlaka (Nevarnost K=3dB(A)) Višina zvočnega tlaka (Nevarnost K=3dB(A))	76,5 dB (A) 87,5 dB (A)
Nosite zaščito za sluh! Informacije o vibracijah Skupna vibracijska vrednost (Vektorska vsota treh smerdoločena ustrezno EN 60745. Vibracijska vrednost emisija _h Nevarnost K=	<2,5 m/s ² 1,5 m/s ²



Slo

OPAZORILO!

V teh navodilih navedena raven treslajev je bila izmerjena po EN60745 normiranem merilnem postopku in lahko služi medesebojni primerjavi električnih orodij. Prav tako je primeren za predhodno oceno obremenitve s treslaji.

Navedena raven treslajev navaja najpomembnejše vrste rabe električnega orodja. Kadar se električno orodje uporablja za drugačne namene, z odstopajočimi orodji ali pa z nezadostnim vzdrževanjem, lahko raven treslajev tudi odstopa. Le to lahko čez celoten delovni čas znatno zviša obremenitev s tresenjem.

Za natančno oceno obremenitve s treslaji naj bi se upošteval tudi čas v katerem je naprava izklopljena ali sicer teče, vendar dejansko ni v rabi. Le to lahko obremenitev s treslaji čez celoten delovni čas znatno zmanjša.

Za zaščito upravljalca pred učinkom treslajev uvedite dodatne zaščitne ukrepe npr.: Vzdrževanje električnega orodja in orodja, delo s toplimi rokami, organizacija delovnih potekov.



OPAZORILO! Preberite vsa varnostna opozorila in navodila. Napake zaradi neupoštevanja spodaj navedenih opozoril in navodil lahko povzročijo električni udar, požar in/ali težke telesne poškodbe. **Vsa opozorila in napotila shranite, ker jih boste v prihodnje še potrebovali.**



VARNOSTNA OPOZORILA ZA STISKALNO NAPRAVO

Uporabite zaščitno opremo. Pri delu s strojem vedno nosite zaščitna očala. Priporočajo se zaščitna oblačila, kot npr. maska za zaščito proti prahu, zaščitne rokavice, trdno in neдрсеče obuvalo, čelada in zaščitna za sluh.

Prstov ali drugih delov telesa nikdar ne držite v delovnem območju cilindra in stiskalnih čeljusti.

Ročič čeljusti med postopkom stiskanja ne držite z rokami.

Stiskalna orodja in stiskalne naprave se lahko uporabljajo zgolj s strani strokovno usposobljenega osebja.

Pred sleherno uporabo stiskalna orodja in naprave preveriti glede na razpoke in ostalo vidno obrabo.

Stiskalna orodja in naprave uporabljajte zgolj v tehnično brezhibnem stanju.

Poškodbe dajte takoj popraviti v avtoriziranemu strokovnemu obratu.

Napravo je dovoljeno zgolj uporabljati z vstavljeno stiskalno čeljustjo.

V primeru motenj med postopkom stiskanja takoj pritisnite stikalo za nevarnost in izpusite stikalo za VKLOP. Ventil se odpre in bat se vrne nazaj v izhodišni položaj.

Dosledno se držite vzdrževanja in vzdrževalnih intervalov.

Pred vsemi deli na stroji odstranite izmenljivi akumulator.

PRACOVNE POKYNY

Uporabljajte zgolj s sistemom skladne stiskalne fittinge kot tudi zanje zasnovane stiskalne čeljusti.

Navodila za predelavo in montažo fittingov ali cevi povzamite iz dokumentacije systemskega ponudnika.

Preverite ali nazivna velikost stiskalnega fittinga sovпада z nazivno velikostjo stiskalne čeljusti.

Po zaključenem stiskanju bodite pozorni na to, da bo stiskalna čeljust popolnoma zaprta.

Nepravilne cevne zveze je potrebno znova stisniti z novim fittingom.

Po zaključku instalacijskih del preverite cevni sistem glede na tesnost z ustrezno primernimi preizkusnimi sredstvi.

Stiskalna naprava ni primerna za trajno obratovanje. Po 30-ih minutah nepretrganega obratovanja je potrebno izvesti kratek, vsaj 15 minutni odmor, da se naprava lahko ohladi.

UPORABA V SKLADU Z NAMEMBNOSTJO

Stiskalne naprave in čeljusti se lahko izključno uporabljajo za stiskanje cevi in fittingov, ki so predvideni za ustrezne stiskalne čeljusti.

Stiskalne naprave so izključno predvidene za uporabo s stiskalnimi čeljustmi, ki so bile v skladu s sistemskim ponudnikom s strani Milwaukee opredeljene kot primerne.

AKUMULATORJI

Izmenjive akumulatorje, ki jih daljši čas niste uporabljali, pred uporabo naknadno napolnite.

Temperatura nad 50°C zmanjšuje zmogljivost izmenljivega akumulatorja. Izogibajte se daljšemu segrevanju zaradi sončnih žarkov ali gretja.

Pazite, da ostanejo priključni kontakti na polnilnem aparatu in izmenljivem akumulatorju čisti.

za optimalno življenjsko dobo je potrebno akumulatorje po uporabi do konca napolniti.

Za čim daljšo življenjsko dobo naj se akumulatorji po napolnitvi vzamejo ven iz naprave za polnjenje.

Pri skladiščenju akumulatorjev dalj kot 30 dni: Akumulator skladiščiti pri 27°C in na suhem. Akumulator skladiščiti pri 30%-50% stanja polnjenja. Akumulator spet napolniti vsakih 6 mesecev.

Izrabljenih izmenljivih akumulatorjev ne mečite v ogenj ali v gospodinske odpadke. Milwaukee nudi okolju prijazno odlaganje starih izmenljivih akumulatorjev; prosimo povprašajte vašega strokovnega trgovca.

Izmenljivih akumulatorjev ne hranite skupaj s kovinskimi predmeti (nevarnost kratkega stika).

Izmenjive akumulatorje sistema M18 polnite samo s polnilnimi aparati sistema M18. Ne polnite nobenih akumulatorjev iz drugih sistemov.

Izmenljivih akumulatorjev in polnilnih aparatov ne odpirajte in jih hranite samo v suhih prostorih. Zaščitite jih pred mokroto.

Pod ekstremno obremenitvijo ali ob ekstremni temperaturi iz poškodovanega izmenljivega akumulatorja lahko izteka akumulatorska tekočina. Po stiku z akumulatorsko tekočino prizadeto mesto takoj izperite z vodo in milom. Po stiku z očmi takoj najmanj 10 minut dolgo temeljito izpirajte in nemudoma obiščite zdravnika.

V odprtino za nameščanje izmenljivih akumulatorjev na polnilnih aparatih ne smejo zaiti nikakršni kovinski deli (nevarnost kratkega stika).

TRANSPORT LITIJ-IONSКИH AKUMULATORJEV

Litij-ionski akumulatorji so podvrženi zakonskim določbam transporta nevarnih snovi.

Transport teh akumulatorjev se mora izvajati upoštevajoč lokalne, nacionalne in mednarodne predpise in določbe.

Potrošniki lahko te akumulatorje še nadalje transportirajo po cesti. Komerčni transport litij-ionskih akumulatorjev s strani špediterskih podjetij je podvržen določbam transporta nevarnih snovi. Priprava odpreme in transporta se lahko vrši izključno s strani ustrezno izšolanih oseb. Celoten proces je potrebno strokovno spremljati.

Pri transportu akumulatorjev je potrebno upoštevati sledeče točke: V izogib kratkim stikom zagotovite, da bodo kontakti zaščiteni in izolirani. Bodite pozorni na to, da paket akumulatorja v notranjosti embalaže ne bo mogel zdrsniti. Poškodovanih ali iztekajočih akumulatorjev ni dovoljeno transportirati. Za nadaljnja navodila se obrnite na vaše špeditersko podjetje.

VZDRŽEVANJE

Preveriti lahek premik stiskalnih čeljusti in stiskalnih valjčkov.

Po zaključku del stiskalne valjčke, zapah in stiskalne čeljusti očistite in namastite.

Vzdrževalna dela in popravila se lahko izvajajo zgolj s strani avtoriziranega strokovnega obrata.

Naprava vsebuje hidravlično olje, ki predstavlja nevarnost za podtalnico. Nenadzorovan izpust ali nestrokovno odstranjevanje je kaznivo.

Na stiskalni napravi je navedeno naslednje vzdrževanje. To vzdrževanje je potrebno izvajati vsaj vsaki 2 leti ali najkasneje, ko to signalizira LED prikazovalnik.

Obrabljena stiskalna orodja zamenjajte.

Pazite na to, da so prežračevalne reže stroja vedno čiste.

Uporabljajte samo Milwaukee pribor in Milwaukee nadomestne dele. Poskrbite, da sestavne dele, katerih zamenjava ni opisana, zamenjajo v Milwaukee servisni službi (upoštevajte brošuro Garancija aslovi servisnih služb).

Po potrebi se lahko pri vaši servisni službi ali direktno pri Techtronic Industries GmbH naroči eksplozijska risba naprave ob navedbi tipa stroja in številke s tipske ploščice Techtronic Industries GmbH, Max-Eyth-Straße 10, 71364 Winnenden, Germany.

CE-IZJAVA O KONFORMNOSTI

S polno odgovornostjo izjavljamo, da izdelek, opisan pod „Tehnični podatki“ izpolnjuje vse ustrezne določbe direktiv 2011/65/EU (RoHS)

2006/42/ES

2014/30/EU

ter da so bili uporabljeni naslednji harmonizirani standardi

EN 60745-1:2009 + A11:2010

EN ISO 12100:2010

EN 55014-1:2017+A11:2020

EN 55014-2:2015
EN IEC 63000:2018



Winnenden, 2021-08-19

Alexander Krug / Managing Director

Pooblaščen za izdelavo spisov tehnične dokumentacije.

Techtronic Industries GmbH

Max-Eyth-Straße 10, 71364 Winnenden, Germany

SIMBOLI



Prosimo, da pred uporabo pozorno preberete to navodilo za uporabo.



POZOR! OPOZORILO! NEVARNO!



Pred vsemi deli na stroji odstranite izmenljivi akumulator.



OPOZORILO!

Zavarujte se pred odditimi in letečimi predmeti



Opozorilo! Nevarnost zmečkanin



Oprema – ni vsebovana v obsegu dobave, priporočeno dopolnilo iz programa opreme.



Pri delu s strojem vedno nosite zaščitna očala.



Nalepka vzdrževanja



Električnih naprav ni dovoljeno odstranjevati skupaj z gospodinjstskimi odpadki. Električne in elektronske naprave je potrebno zbirati ločeno in za okolju prijazno odstranitev, oddati podjetju za reciklažo. Pri krajevnem uradu ali vašem strokovnem prodajalcu se pozanimajte glede reciklažnih dvorišč in zbirnih mest.



Evropska oznaka za združljivost



Britanska oznaka za združljivost



Ukrajinska oznaka za združljivost



Evrazijska oznaka za združljivost



Slo

TEHNIČKI PODACI Kliješta za stiskanje	M18 BLHPT
Broj proizvodnje	4524 10 03 000001-999999
Napon baterije za zamjenu	18 V
Primanje snage	450 W
silna stiskanja	32 kN
Press područje : Ø & kompozitne cijevi Ø Metal do	63 mm (110 mm) 54 mm (108 mm) sustav-ovisni
Težina po EPTA-proceduri 01/2014 (Li-Ion 2,0 Ah)	2,9 kg
Težina (M18 BLHPT / Li-Ion 2,0 Ah / J18-Th14)	4,7 kg
Informacije o buci Mjerne vrijednosti utvrđene odgovarajuće EN 60745. A-ocijenjeni nivo buke aparata iznosi tipično:	
Nivo pritiska zvuka (Nesigurnost K=3dB(A))	76,5 dB (A)
Nivo učinka zvuka (Nesigurnost K=3dB(A))	87,5 dB (A)
Nositi zaštitu sluha! Informacije o vibracijama Ukupne vrijednosti vibracije (Vektor suma tri smjersu odmjerene odgovarajuće EN 60745)	
Vrijednost emisije vibracije _a	<2,5 m/s ²
Nesigurnost K=	1,5 m/s ²

UPOZORENJE!

Ova u ovim uputama navedena razina titranja je bila izmjerena odgovarajuće jednom u EN 60745 normiranom mjernom postupku i može se upotrijebiti za usporedbu električnog alata međusobno. Ona je prikladna i za privremenu procjenu titrajnog opterećenja.

Navedena razina titranja reprezentira glavne primjene električnog alata. Ukoliko se električni alat upotrebljava u druge svrhe sa odstupajućim primijenjenim alatima ili nedovoljnim održavanjem, onda razina titranja može odstupati. To može titrajno opterećenje kroz cijeli period rada bitno povisiti.

Za točnu procjenu titrajnog opterećenja se moraju uzeti u obzir i vremena u kojima je uređaj isključen ili u kojima doduše radi, ali nije i stvarno u upotrebi. To može titrajno opterećenje bitno smanjiti za vrijeme cijelog radnog perioda.

Utvrdite dodatne sigurnosne mjere za zaštitu poslužioca protiv djelovanja titranja kao npr.: Održavanje električnih alata i upotrebljenih alata, održavanje topline ruku, organizacija i radne postupke.

UPOZORENJE! Pročitajte sigurnosne upute i uputnice. Ako se ne bi poštivale napomene o sigurnosti i upute to bi moglo uzrokovati strujni udar, požar i/ili teške ozljede. **Sačuvajte sve napomene o sigurnosti i upute za buduću primjenu.**

SIKURNOSNA UPOZORENJA UREĐAJA ZA PREŠANJE

Upotrebljavati zaštitnu opremu. Kod radova sa strojem uvijek nositi zaštitne naočale. Preporučuje se zaštitna odjeća, kao zaštitna maska protiv prašine, zaštitne rukavice, čvrste i protiv klizanja sigurne cipele, šljem i zaštitu sluha.

Prste ili druge dijelove tijela nemojte nikada držati na radnom području cilindra i čeljusti prešanja.

Polugu čeljusti za vrijeme postupka prešanja nemojte držati rukama.

Alati prešanja i uređaji prešanja se smiju koristiti samo od strane jednog stručnjaka.

Prije svake upotrebe alate prešanja i uređaje prešanja provjeriti u svezi pukotina i ostalih pojava habanja.

Alate prešanja i uređaje prešanja koristiti samo u tehnički besprijekornom stanju.

Oštećenja odmah dati na popravak autoriziranoj stručnoj radionici.

Aparat se smije koristiti samo sa postavljenom čeljusti za prešanje.

Kod smetnji za vrijeme postupka prešanja odmah pritisnuti sklopku za slučaj opasnosti i opustite sklopku EIN. Ventil se otvara a klip se vraća na polaznu poziciju.

Obvezno se pridržavati održavanja i intervala održavanja.

Prije svih radova na stroju izvaditi bateriju za zamjenu.

RADNE UPUTE

Koristiti samo fitege prešanja odgovarajuće sustavu i za to predviđene čeljusti prešanja.

Upute o obradi i montaži za pribor ili cijevi uzmete iz dokumentacije ponuđača sustava.

Provjerite, da li nazivni promjer fiteginga prešanja odgovara nazivnom promjeru čeljusti prešanja.

Poslije završenog prešanja obratiti pažnju na to, da čeljust prešanja bude potpuno zatvorena.

Nepravilni cjevni spojevi moraju biti prešani još jednom jednim novim fitegom.

Nakon završetka instalacijskih radova, cjevni sustav provjeriti sa odgovarajućim prikladnim sredstvima za provjeru u svezi nepropusnosti.

Preša nije prikladna za trajni pogon. Nakon 30-minutnog neprekidnog pogona mora uslijediti jedna kratka stanica od najmanje 15 minuta da bi se aparat mogao ohladiti.

PROPIISNA UPOTREBA

Uređaje preše i čeljusti prešanja se smiju koristiti isključivo za prešanje cijevi i fitna, za koje su predviđene odgovarajuće čeljusti prešanja.

Uređaji preše su predviđeni isključivo za primjenu čeljusti preše, koje su od strane Milwaukee u skladnosti sa ponuđačem sustava označene kao prikladne.

BATERIJE

Baterije koje duže vremena nisu korištene, prije upotrebe napuniti. Temperatura od preko 50°C smanjuje učinak baterija. Duže zagrijavanje od strane sunca ili grijanja izbjeći.

Priključne kontakte na uređaju za punjenje i baterijama držati čistima.

Za optimalni vijek trajanja se akumulatori poslije upotrebe moraju sasvim napuniti.

Za što moguće duži vijek trajanja, akumulatori se nakon punjenja moraju odstraniti iz punjača.

Kod skladištenja akumulatora duže od 30 dana: Akumulator skladištiti na suhom kod ca. 27°C. Akumulator skladištiti kod ca. 30%-50% stanja punjenja. Akumulator ponovno napuniti svakih 6 mjeseci.

Istrošene baterije za zamjenu ne baciti u vatru ili u kućno smeće. Milwaukee nudi mogućnost uklanjanja starih baterija odgovarajuće okolini. Milwaukee nudi mogućnost uklanjanja starih baterija odgovarajuće okolini; upitajte molimo Vašeg stručnog trgovca.

Baterije za zamjenu ne čuvati skupa sa metalnim predmetima (opasnost od kratkog spoja).

Baterije sistema M18 puniti samo sa uređajem za punjenje sistema M18. Ne puniti baterije iz drugih sistema.

Baterije za zamjenu i uređaje za punjenje ne otvarati i čuvati ih samo u suhim prostorijama. Čuvati protiv vlage.

Pod ekstremnim opterećenjem ili ekstremne temperature može iz oštećenih baterija iscuriti baterijska tekućina. Kod dodira sa baterijskom tekućinom odmah ispirati sa vodom i sapunom. Kod kontakta sa očima odmah najmanje 10 minuta temeljno ispirati i odmah potražiti liječnika.

U prostor za punjenje baterija u uređaju za punjenje ne smiju dospijeti metalni dijelovi (opasnost od kratkog spoja).

TRANSPORT LITIJSKIH IONSKIH BATERIJA

Litijske-ionske baterije spadaju pod zakonske odredbe u svezi transporta opasne robe.

Prijevoz ovih baterija mora uslijediti uz poštivanje lokalnih, nacionalnih i internacionalnih propisa i odredaba.

Korisnici mogu bez ustručavanja ove baterije transportirati po cestama.

Komercijalni transport litijsko-ionskih baterija od strane transportnih poduzeća spada pod odredbe o transportu opasne robe. Otpremničke pripreme i transport smiju izvoditi isključivo odgovarajuće školovane osobe. Kompletni proces se mora pratiti na stručan način.

Kod transporta baterija se moraju poštivati sljedeće točke:

Uvjerite se da su kontakti zaštićeni i izolirani kako bi se izbjegli kratki spojevi. Pazite na to, da blok baterija unutar pakiranja ne može proklizavati. Oštećene ili iscrjele baterije se ne smiju transportirati. U svezi ostalih uputa obratite se vašem prijevoznom poduzeću.

ODRŽAVANJE

Provjeriti lakoću rada čeljusti preše i kotura preše.

Poslije svršetka radova koture preše, zapor i čeljusti preše čistiti i podmazati.

Radove održavanja i popravke smiju izvoditi samo autorizirane stručne radionice.

Uređaj sadrži hidrauličko ulje, koje predstavlja opasnost za podzemnu vodu. Nekontrolirano ispuštanje i nestručno zbrinjavanje se kažnjava.

Na uređaju preše je navedeno sljedeće održavanje. Ovo održavanje se mora izvoditi najmanje svake 2 godine ili najkasnije kada to signalizira LED-prikaz.

Istrošene alate preše promijeniti.

Proreze za prozračivanje stroja uvijek držati čistima.

Primijeniti samo Milwaukee opremu i Milwaukee rezervne dijelove.

Sastavne dijelove, čija zamjena nije opisana, dati zamijeniti kod jedne od Milwaukee servisnih službi (poštivati brošuru Garancija/ Adrese servisa).

Po potrebi se može zatražiti crtež eksplozije aparata uz davanje podataka o tipu stroja i desetoznamenkastog broja na pločici snage kod Vaše servisne službe ili direktno kod Techtronic Industries GmbH, Max-Eyth-Straße 10, 71364 Winnenden, Germany.

CE-IZJAVA KONFORMNOSTI

Izjavljujemo pod vlastitom odgovornošću da proizvod opisan u odjeljku „Tehnički podaci“ ispunjava sve potrebne odredbe smjernica

2011/65/EU (RoHS)

2006/42/EC

2014/30/EU

i da su korišteni sljedeći usklađeni standardi

EN 60745-1:2009 + A11:2010

EN ISO 12100:2010

EN 55014-1:2017+A11:2020

EN 55014-2:2015

EN IEC 63000:2018



Winnenden, 2021-08-19

Alexander Krug / Managing Director

Ovlašten za formiranje tehničke dokumentacije.

Techtronic Industries GmbH

Max-Eyth-Straße 10, 71364 Winnenden, Germany

SIMBOLI



Molimo da pažljivo pročitate uputu o upotrebi prije puštanja u rad.



PAŽNJA! UPOZORENJE! OPASNOST!



Prije svih radova na stroju izvaditi bateriju za zamjenu.



UPOZORENJE!
Opasnost od letećih dijelova.



Pozor! Opasnost od nagnječenja



Oprema - u opsegu isporuke nije sadržana, preporučena dopuna iz promgrama opreme.



Kod radova na stroju uvijek nositi zaštitne naočale.



Naljepnica za održavanje



Električni uređaji se ne smiju zbrinjavati skupa sa kućnim smećem. Električni uređaji se moraju skupljati odvojeno i predati na zbrinjavanje primjereno okolišu jednom od pogona za iskorišćavanje. Raspitajte se kod mjesnih vlasti ili kod stručnog trgovca u svezi gospodarstva za recikliranje i mjesta skupljanja.



Europski znak suglasnosti



Britanski znak suglasnosti



Ukrajinski znak suglasnosti



Euroazijski znak suglasnosti



TEHNISKIE DATI Presēšanas knaibles	M18 BLHPT
Izlaides numurs	4524 10 03 000001-999999
Akumulātorā spriegums	18 V
Jauda	450 W
presēšanas spēks	32 kN
Preses telpa : Ø & kompozītmateriālu caurules Ø Metāls līdz	63 mm (110 mm) 54 mm (108 mm) sistēma-atkarīgs
Svars atbilstoši EPTA -Procedure 01/2014 (Li-Ion 2,0 Ah)	2,9 kg
Svars (M18 BLHPT / Li-Ion 2,0 Ah / J18-Th14)	4,7 kg
Trokšņu informācija Vērtības, kas noteiktas saskaņā ar EN 60745. A novērtētās aparatūras skaņas līmenis ir: Trokšņa spiediena līmenis (Nedrošība K=3dB(A)) Trokšņa jaudas līmenis (Nedrošība K=3dB(A))	76,5 dB (A) 87,5 dB (A)
Nēsāt trokšņa slāpētāju! Vibrāciju informācija Svārstību kopēja vērtība (Trīs virzienu vektoru summtiek noteikta atbilstoši EN 60745. svārstību emisijas vērtība _h Nedrošība K=	<2,5 m/s ² 1,5 m/s ²



UZMANĪBU!

Instrukcijā norādītā svārstību robežvērtība ir izmērīta mērījumu procesā, kas veikts atbilstoši standartam EN 60745, un to var izmantot elektroinstrumentu savstarpējai salīdzināšanai. Tā ir piemērota arī svārstību noslogojuma pagaidu izvērtēšanai. Norādītā svārstību robežvērtība ir reprezentatīva elektroinstrumenta pamata pielietojuma jomām. Tomēr, ja elektroinstrumenti tiek pielietoti citās jomās, papildus izmantojot neatbilstošus elektroinstrumentus vai pēc nepietiekamas tehniskās apkopes, tad svārstību robežvērtība var atšķirties. Tas var ievērojami palielināt svārstību noslogojumu visa darba laikā.

Precīzai svārstību noslogojuma noteikšanai, ir jāņem vērā arī laiks, kad ierīces ir izslēgta vai arī ir ieslēgta, tomēr faktiski netiek lietota. Tas var ievērojami samazināt svārstību noslogojumu visa darba laikā. Integrējiet papildus drošības pasākumus pret svārstību ietekmi lietotājam, piemēram: elektroinstrumentu un darba instrumentu tehniskā apkope, roku siltuma uzturēšana, darba procesa organizācija.

⚠ UZMANĪBU! Izlasiet visu drošības instrukciju un lietošanas pamācību klāt. Šeit sniegto drošības noteikumu un norādījumu neievērošana var izraisīt aizdegšanos un būt par cēloni elektriskajam triecienam vai nopietnam savainojumam. **Pēc izlasīšanas uzglabāiet šos noteikumus turpmākai izmantošanai.**

⚠ PRESES IERĪCES DROŠĪBAS BRĪDINĀJUMI

Jāizmanto aizsargapriekojums. Strādājot ar mašīnu, vienmēr jānēsā aizsargbrilles. Ieteicams nēsāt aizsargapģērbu, kā piemēram, aizsargmasku, aizsargcimdus, kurpes un stingru un neslidīga materiāla, ķiveri un ausu aizsargus.

Nekad neturiet pirkstus vai citu ķermeņa daļu cilindra un spīļu darba zonā.

Presēšanas laikā neturiet ciet ar rokām spīļu sviras.

Presēšanas instrumentus un presēšanas iekārtas drīkst izmantot tikai profesionāļi!

Pirms katras lietošanas reizes pārbaudīt, vai presēšanas instrumentam un presēšanas iekārtai nav radušās plaisas vai citi nolietojuma rezultātā radušies bojājumi.

Izmantot tikai tādas presēšanas instrumentus un presēšanas iekārtas, kas ir tehniski nevainojamā stāvoklī.

Bojājumu rašanās gadījumā nekavējoties nodot rīku labošanai specializētā servisā.

Iekārtu drīkst izmantot tikai tad, kad tajā ir uzstādītas presēšanas spīles.

Ja presēšanas laikā rodas kādi traucējumi, nekavējoties nospiediet avārijas slēdzi un atļaidiet IESLĒGŠANAS slēdzi. Atveras ventilis atveras un virzulis atgriežas sākuma pozīcijā.

Obligāti veikt iekārtas apkopi un stingri ievērot apkopes intervālus.

Pirms mašīnai veikt jebkāda veida apkopes darbus, ir jāizņem ārā akumulātors.

DARBA NORĀDĪJUMI

Izmantojiet tikai attiecīgajai sistēmai piemērotus presējamos uzgaļus un tiem piemērotās presēšanas spīles.

Informāciju par attiecīgo uzgaļu vai cauruļu apstrādi skatīt sistēmas ražotāja nodrošinātajā dokumentācijā.

Pārbaudiet, vai presējamā uzgaļa nominālais izmērs atbilst presēšanas spīļu nominālajam izmēram.

Pēc veiksmīgas presēšanas veikšanas pārļiecināties, lai presēšanas spīles būtu pilnībā aizvērušās.

Ja caurules savienot nav izdevies, tad tas ir jāveic atkārtoti un ar jaunu uzgali.

Pēc sistēmas uzstādīšanas darbu pabeigšanas ar atbilstošā pārbaudes materiāla palīdzību pārļiecinieties, vai sistēma ir hermētiska.

Presēšanas iekārta nav paredzēta ilglaicīgai darbībai. Pēc 30 minūšu nepārtrauktas darbības iekārtā ir jāizslēdz vismaz uz 15 minūtēm, lai tā varētu atdzist.

NOTEIKUMIEM ATBILSTOŠS IZMANTOJUMS

Presēšanas iekārtu drīkst izmantot tikai tādu cauruļu un uzgaļu presēšanai, kuru apstrādei ir paredzētas attiecīgās presēšanas spīles.

Presēšanas iekārta ir paredzēta izmantošanai kopā tikai ar attiecīgajai iekārtai paredzētajām presēšanas spīlēm, kuras ir apstiprinājis Milwaukee kopā ar uzstādāmās sistēmas ražotāju.

AKUMULĀTORI

Akumulātori, kas ilgāku laiku nav izmantoti, pirms lietošanas jāuzlādē.

Pie temperatūras, kas pārsniedz 50°C, akumulātoru darbība tiek negatīvi ietekmēta. Vajag izvairīties no ilgākas saules un karstuma iedarbības.

Lādētāja un akumulātoru pievienojuma kontakti jāuztur tīri.

Lai baterijas darba ilgums būtu optimāls, pēc iekārtas izmantošanas tā jāuzlādē.

Lai akumulātori kalpotu pēc iespējas ilgāku laiku, tos pēc uzlādes ieteicams atvienot no lādētājierīces.

Akumulātoru uzglabāšana ilgāk kā 30 dienas: uzglabāt akumulātoru pie aptuveni 27°C un sausā vietā. Uzglabāt akumulātoru uzlādes stāvoklī aptuveni pie 30%-50%. Uzlādēt akumulātorus visus 6 mēnešus no jana.

Izmantotos akumulātorus nedrīkst mest uguni vai parastos atkritumos. Firma Milwaukee piedāvā iespēju vecos akumulātorus savākt apkārtējo vidi saudzējošā veidā; jautājiet specializētā veikalā.

Akumulātorus nav ieteicams glabāt kopā ar metāla priekšmetiem (iespējams īsslēgums).

M18 sistēmas akumulātorus lādēt tikai ar M18 sistēmas lādētājiem. Nedrīkst lādēt citus akumulātorus no citām sistēmām.

Akumulātorus un lādētājus nedrīkst taisyt vajā un tie jāuzglabā sausās telpās.

Pie ārkārtas slodzes un ārkārtas temperatūrām no bojātā akumulātorā var iztecēt akumulātorā šķidrums. Ja nonākt saskarsmē ar akumulātorā šķidrumu, saskarsmes vieta nekavējoties jānomazgā ar ūdeni un ziepēm. Ja šķidrums nonācis acīs, acis vismaz 10 min. skalot un nekavējoties konsultēties ar ārstu.

Jāuzmanās, lai akumulātoru lādētājā nenokļūtu nekādi metāla priekšmeti (iespējams īsslēgums).

LITĪJA JONU AKUMULĀTORU TRANSPORTĒŠANA

Uz litija jonu akumulātoriem attiecas noteikumi par bīstamo kravu pārvadāšanu.

Šo akumulātoru transportēšana jāveic saskaņā ar vietējiem, valsts un starptautiskajiem normatīvajiem aktiem un noteikumiem.

Patērētāja darbības, pārvadājot šos akumulātorus pa autoceļiem, nav reglamentētas.

Uz litija jonu akumulātoru komerciālu transportēšanu, ko veic ekspedīcijas uzņēmums, attiecas bīstamo kravu pārvadāšanas noteikumi. Sagatavošanas darbus un transportēšanu drīkst veikt tikai atbilstoši apmācīts personāls. Viss process jāveda profesionāli.

Veicot akumulātoru transportēšanu, jāievēro:

Pārlicinieties, ka kontakti ir aizsargāti un izolēti, lai izvairītos no īssavienojumiem. Pārlicinieties, ka akumulātors iepakojumā nevar paslīdēt. Bojātus vai tecošus akumulātorus nedrīkst transportēt. Plašāku informāciju Jūs varat saņemt no ekspedīcijas uzņēmuma.

APKOPE

Pārbaudīt, vai presēšanas spiles un presēšanas cilindri kustās viegli un bez traucējumiem.

Pēc darbu pabeigšanas kārtīgi notīrīt un ieņļot presēšanas cilindrus, noslēgus un presēšanas spiles.

Apkopes darbus un remontdarbus drīkst veikt tikai autorizēti specializētie servisi.

Iekārtā atrodas hidrauliskā eļļa, kas rada draudus gruntsūdeņiem. Nekontrolēta eļļas noplūde vai nekompetenta tās iznīcināšana ir sodāma.

Uz iekārtas ir norādīts nākamās apkopes datums. Apkope ir jāveic ne retāk kā reizi divos gados vai vēlākais brīdī, kad par to ziņo LED signāllampīņa.

Nolietotie presēšanas instrumenti ir jānomaina.

Vajag vienmēr uzmanīti, lai būtu tīras dzesēšanas atveres.

Izmantojiet tikai firmu Milwaukee piederumus un firmas Milwaukee rezerves daļas. Lieciet nomainīt detaļas, kuru nomaīņa nav aprakstīta, kādā no firmu Milwaukee klientu apkalpošanas servisiem. (Skat. brošūru „Garantija/klientu apkalpošanas serviss“.) Ja nepieciešams, klientu apkalpošanas servisā vai tieši pie firmas Techtronic Industries GmbH, Max-Eyth-Straße 10, 71364 Winnenden, Germany, var pieprasīt instrumenta numurs, kas norādīts uz jaudas paneļa.

ATBILSTĪBA CE NORMĀM

Mēs ar pilnu atbildību paziņojam, ka izstrādājums, kas raksturots sadaļā „Tehniskie dati“, atbilst visām attiecīgajām prasībām direktīvās

2011/65/EU (RoHS)

2006/42/EK

2014/30/EU

un ir piemēroti šādi saskaņotie standarti

EN 60745-1:2009 + A11:2010

EN ISO 12100:2010

EN 55014-1:2017+A11:2020

EN 55014-2:2015

EN IEC 63000:2018



Winnenden, 2021-08-19

Alexander Krug / Managing Director

Pilnvarotais tehniskās dokumentācijas sastādīšanā.

Techtronic Industries GmbH

Max-Eyth-Straße 10, 71364 Winnenden, Germany

SIMBOLI



Pirms sākt lietot instrumentu, lūdzu, izlasiet lietošanas pamācību.



UZMANĪBU! BĪSTAMI!



Pirms mašīnai veikt jebkāda veida apkopes darbus, ir jāizņem arī akumulātors.



UZMANĪBU!

atpakaļ atmestajām sagataves daļām



Uzmanību! Pastāv drauds saspīest ķermeņa daļas.



Piederumi - standartapikojumā neietvertās, bet ieteicamās papildus komplektācijas detaļas no piederumu programmas.



Strādājot ar mašīnu, vienmēr jānēsā aizsargbrilles.



Apkopes uzlīme.



Elektroiekārtas nedrīkst izmest kopā ar sadzīves atkritumiem. Elektriskās un elektroniskās iekārtas ir jāsavāc atsevišķi un jānodod pārstrādes uzņēmumam, kas no tām atbrīvosies dabai draudzīgā veidā. Meklējiet otrreizējās pārstrādes poligonus un savākšanas punktus vietējās pārvaldes iestādēs vai pie preces pārdevēja.



Eiropas atbilstības zīme



Lielbritānijas atbilstības zīme



Ukrainas atbilstības zīme



Eirāzijas atbilstības zīme



Lat

TECHINIAI DUOMENYS Presavimo replės	M18 BLHPT
Produkto numeris	4524 10 03 000001-999999
Keičiamo akumulatoriaus įtampa	18 V
Tiekiamas galingumas	450 W
presavimo jėga	32 kN
Spaudai : Ø & sudurtiniai vamzdžiai Ø Metalas iki	63 mm (110 mm) 54 mm (108 mm) priklauso nuo sistemos
Prietaiso svoris įvertintas pagal EPTA 2003/01 tyrimų metodiką (Li-Ion 2,0 Ah)	2,9 kg
Svoris (M18 BLHPT / Li-Ion 2.0 Ah / J18-Th14)	4,7 kg
Informacija apie keliamą triukšmą Vertės matuotos pagal EN 60745. Įvertintas A įrenginio keliamo triukšmo lygis dažniausiai sudaro:	
Garso slėgio lygis (Paklaida K=3dB(A))	76,5 dB (A)
Garso galios lygis (Paklaida K=3dB(A))	87,5 dB (A)
Nešioti klausos apsaugines priemones!	
Informacija apie vibraciją Bendroji svyravimų reikšmė (trijų krypčių vektorių suma), nustatyta remiantis EN 60745.	
Vibravimų emisijos reikšmė _h	<2,5 m/s ²
Paklaida K=	1,5 m/s ²

DĖMESIO!

Instrukcijoje nurodyta svyravimų ribinė vertė yra išmatuota remiantis standartu EN 60745; ji gali būti naudojama keliems elektriniams instrumentams palyginti. Ji taikoma ir laikinai įvertinti svyravimų aprova.

Nurodyta svyravimų ribinė vertė yra taikoma pagrindinėse elektrinio instrumento naudojimo srityse. Svyravimų ribinė vertė gali skirtis naudojant elektrinį instrumentą kitose srityse, papildomai naudojant netinkamus elektrinius instrumentus arba juos nepakankamai techniškai prižiūrint. Dėl to viso darbo metu gali žymiai padidėti svyravimų aprova.

Siekiant tiksliai nustatyti svyravimų aprova, būtina atsižvelgti ir į laikotarpį, kai įrenginys yra išjungtas arba įjungtas, tačiau faktiškai nenaudojamas. Dėl to viso darbo metu gali žymiai sumažėti svyravimų aprova.

Siekiant apsaugoti vartotojus nuo svyravimo įtakos naudojamos papildomos saugos priemonės, pavyzdžiui, elektrinių darbo instrumentų techninė priežiūra, rankų šilumos palaikymas, darbo procesų organizavimas.



DĖMESIO! Perskaitykite visas saugumo pastabas ir nurodymus. Jei nepaisysite žemiau pateiktų saugos nuorodų ir reikalavimų, gali trenkti elektros smūgis, kilti gaisras ir/arba galite sunkiai susižaloti arba sužaloti kitus asmenis. **Išsaugokite šias saugos nuorodas ir reikalavimus, kad ir ateityje galėtumėte jais pasinaudoti.**



PRESAVIMO PRIETAISO SAUGOS ĮSPĖJIMAI

Dėvėkite apsaugines priemones. Dirbdami su mašina visada užsidėkite apsauginius akinus. Rekomenduotina dėvėti apsaugines priemones: apsaugos nuo dulkių respiratorius, apsaugines pirštines, kietus batus neslidžiais padais, šalmą ir klausos apsaugos priemones.

Pirstų arba kitų kūno dalių nelaikykite cilindro arba preso spaustuvo darbo zonoje.

Presavimo metu spaustuvo svirties nelaikykite rankomis.

Presavimo įrankius ir prietaisus naudoti gali tik kvalifikuoti specialistai.

Prieš kiekvieną naudojimą patikrinkite, ar presavimo įrankiai ir prietaisai nėra įtrūkę arba kitaip susidėvėję.

Naudokite tik techniškai nepriekaištingos būklės presavimo įrankius ir prietaisus.

Remontuoti pazeidimus nedelsdami paveskite įgaliotoms dirbtuvėms.

Prietaisą naudoti galima tik su įstatytu presavimo spaustuvu.

Esant gedimui, presavimo proceso metu nedelsdami nuspauskite pavojaus mygtuką ir atleiskite įjungimo jungiklį. Atsидaro vožtuvas ir stūmoklis grįžta į pradinę padėtį.

Būtina vykdyti techninę priežiūrą ir laikytis jos atlikimo intervalų.

Prieš atlikdami bet kokius darbus įrenginyje, išimkite keičiamą akumuliatorių.

DARBO NUORODOS

Naudokite tik su sistema suderintus presavimo atvamzdžius ir pagal juos sukonstruotus presavimo spaustus.

Atvamzdžių arba vamzdžių apdirbimo ir montavimo instrukcijas rasite sistemos tiekėjo dokumentuose.

Patikrinkite, ar presavimo atvamzdžio nominaliosios vertės atitinka presavimo spaustuvo nominaliąsias vertes.

Pabaigę presavimą atkreipkite dėmesį, kad presavimo spaustuvas būtų visiškai uždarytas.

Neteisingas vamzdžių jungtis dar kartą supresuokite naudodami naują atvamzdį.

Pabaigę įrengimo darbus vamzdžių sistemos sandarumą patikrinkite naudodami atitinkamas patikros priemones.

Presavimo prietaiso negalima naudoti be pertraukų. Po 30 minučių naudojimo privaloma padaryti mažiausiai 15 minučių pertrauką, kad prietaisas atvėstų.

NAUDOJIMAS PAGAL PASKIRTĮ

Presavimo prietaisus ir spaustus galima naudoti tik vamzdžių ir atvamzdžių presavimui, kuriems yra numatyti atitinkami presavimo spaustuvai.

Presavimo prietaisai yra skirti naudoti tik kartu su presavimo spaustuvais, kurių atitiktį su sistemos tiekėju deklaruoja „Milwaukee“.

AKUMULIATORIAI

Ilgesnį laiką nenaudotus keičiamus akumuliatorius prieš naudojimą įkraukite.

Aukštesnė nei 50°C temperatūra mažina keičiamų akumuliatorių galią. Venkite ilgesnio saulės ar šilumos šaltinių poveikio.

Įkroviklio ir keičiamo akumulatoriaus jungiamieji kontaktai visada turi būti švarūs.

Kad prietaisas kuo ilgiau veiktų, pasinaudoję juo, iki galo įkraukite akumuliatorius.

Siekiant užtikrinti kuo ilgesnį baterijos tarnavimo laiką, reikėtų ją po atlikto įkrovimo iškarti iš įkroviklio.

Bateriją laikant ilgiau nei 30 dienų, būtina atkreipti dėmesį į šias nuorodas: bateriją laikyti sausoje aplinkoje, esant apie 27 °C temperatūrai. Baterijos įkrovimo lygis turi būti nuo 30% iki 50%. Baterija pakartotinai turi būti įkraunama kas 6 mėnesius.

Sunaudotų keičiamų akumuliatorių nedeginkite ir nemeskite į buitines atliekas. „Milwaukee“ siūlo tausojantį aplinką sudėvėtų keičiamų akumuliatorių tvarkymą, apie tai prekybos atstovo.

Lietuviškai

Keičiamų akumuliatorių nelaikykite kartu su metaliniais daiktais (trumpojo jungimo pavojus).

Keičiamus M18 sistemos akumulatorius kraukite tik „M18“ sistemos įkrovikliais. Nekraukite kitų sistemų akumuliatorių.

Keičiamų akumuliatorių ir įkroviklių nelaikykite atvirai. Laikykite tik sausoje vietoje. Saugokite nuo drėgmės.

Ekstremalių apkrovų arba ekstremalios temperatūros poveikyje iš keičiamų akumuliatorių gali ištekti akumuliatoriaus skystis. Išsitiesus akumuliatoriaus skystį, tuoj pat nuplaukite vandeniu su muilu. Patekęs į akis, tuoj pat ne trumpiau kaip 10 minučių gausiai skalaukite vandeniu ir tuoj pat kreipkitės į gydytoją.

Į įkroviklių keičiamiems akumuliatoriams įstatymui skirtą vamzdį turi nepatekti jokios metalinės dalys (trumpojo jungimo pavojus).

ir buvo taikyti šie darnieji standartai

EN 60745-1:2009 + A11:2010

EN ISO 12100:2010

EN 55014-1:2017+A11:2020

EN 55014-2:2015

EN IEC 63000:2018



Winnenden, 2021-08-19

Alexander Krug / Managing Director

Įgaliotas parengti techninius dokumentus.

Techtronic Industries GmbH

Max-Eyth-Straße 10, 71364 Winnenden, Germany

LIČIO JONŲ AKUMULIATORIŲ PERVEŽIMAS

Ličio jonų akumuliatoriams taikomos įstatyminės nuostatos dėl pavojingų krovinių pervežimų.

Šiuos akumuliatorius pervežti būtina laikantis vietinių, nacionalinių ir tarptautinių direktyvų ir nuostatų.

Naudotojai šiuos akumuliatorius gali naudoti savo transporte be jokių kitų sąlygų.

Už komercinį ličio jonų akumuliatorių pervežimą atsako ekspedicijos įmonė pagal nuostatas dėl pavojingų krovinių pervežimo. Pasiruošimo išsiųsti ir pervežimo darbus gali atlikti tik atitinkamai išmokyti asmenys. Visas procesas privalo būti prižiūrimas.

Pervežant akumuliatorius būtina laikytis šių punktų:

Siekiant išvengti trumpųjų jungimų, įsitinkinkite, kad kontaktai yra apsaugoti ir izoliuoti. Atkreipkite dėmesį, kad akumuliatorius pakuotės viduje neslidinėtų. Draudžiama pervežti pažeistus arba tekančius akumuliatorius. Dėl detalesnių nurodymų kreipkitės į savo ekspedicijos įmonę.

TECHNINIS APTARNAVIMAS

Patikrinkite, ar lengvai juda presavimo spaustuvai ir ritinėliai.

Pabaigę darbus išvalykite ir sutepkite presavimo ritinėlius, griebtuvus ir spaustuvus.

Techninės priežiūros ir remonto darbus gali atlikti tik įgaliotas specialios dirbtuvės.

Prietaise yra hidraulinės alyvos, kuri kelia pavojų gruntiniams vandenims. Už jos išleidimą arba netinkamą utilizavimą gresia bausia.

Ant presavimo prietaiso yra nurodomas kitos techninės priežiūros terminas. Techninę priežiūrą būtina atlikti kas 2 metus arba ne vėliau, negu apie tai informuoja LED rodmuo.

Pakeiskite susidėvėjusius presavimo įrankius.

Įrenginio vėdinimo angos visada turi būti švarios.

Naudokite tik „Milwaukee“ priedus ir „Milwaukee“ atsargines dalis. Dalis, kurių keitimas neaprašytas, leidžiama keisti tik „Milwaukee“ klientų aptarnavimo skyriams (žr. garantiją/klientų aptarnavimo skyrių adresus brošiūroje).

Jei reikia, nurodant įrenginio tipą bei specifikacijų lentelėje esantį numerį, iš klientų aptarnavimo skyriaus arba tiesiai iš Techtronic Industries GmbH, Max-Eyth-Straße 10, 71364 Winnenden, Germany, galima užsisakyti prietaiso surinkimo brėžinius.

CE ATITIKTIES PAREIŠKIMAS

Prisiimdami visą atsakomybę pareiškiame, kad gaminyje, aprašytas „Techniniuose duomenyse“, atitinka taikomus reikalavimus, išdėstytus direktyvose

2011/65/EU (RoHS)

2006/42/EB

2014/30/EU

SIMBOLIAI



Prieš pradėdami dirbti su prietaisu, atidžiai perskaitykite jo naudojimo instrukciją.



DĖMESIO! ĮSPĖJIMAS! PAVOJUS!



Prieš atlikdami bet kokius darbus įrenginyje, išimkite keičiamą akumuliatorių.



DĖMESIO!
skrendančių dalių



Įspėjimas! Suspaudimo pavojus



Priedas – neįeina į tiekimo komplektaciją, rekomenduojamas papildymas iš priedų asortimento.



Dirbdami su įrenginiu visada nešiokite apsauginius akinius.



Techninės priežiūros lipdukas



Elektros prietaisų negalima išmesti kartu su buitiniams atliekomis. Būtina rūšiuoti elektros ir elektroninius prietaisus ir atiduoti į atliekų perdirbimo centrą, kad jie būtų utilizuoti netešiant aplinkos. Informacijos apie perdirbimo centrus ir atliekų surinkimo įstaigas teiraukitės vietos įstaigoje arba prekybininko.



Europos atitikties ženklas



Britanijos atitikties ženklas



Ukrainos atitikties ženklas



Eurazijos atitikties ženklas



Liet

TEHNILISED ANDMED Presspihid	M18 BLHPT
Tootmisnumber	4524 10 03 000001-999999
Vahetatava aku pinge	18 V
Võimsustarve	450 W
surujõud	32 kN
Tugistruktuurid : Ø & komposiitkorud Ø Metall kuni	63 mm (110 mm) 54 mm (108 mm) sõltub süsteemist
Kaal vastavalt EPTA-protseduurile 01/2014 (Li-Ion 2,0 Ah)	2,9 kg
Kaal (M18 BLHPT / Li-Ion 2.0 Ah / J18-Th14)	4,7 kg
Müra andmed Mõõteväärtused on kindlaks tehtud vastavalt normile EN 60745. Seadme tüüpiline hinnanguline (müratase): Helirõhutase (Määramatus K=3dB(A)) Helivõimsuse tase (Määramatus K=3dB(A))	76,5 dB (A) 87,5 dB (A)
Kandke kaitseks kõrvaklappe! Vibratsiooni andmed Vibratsiooni koguväärtus (kolme suuna vektorsummmõõdetud EN 60745 järgi). Vibratsiooni emissiooni väärtus _a Määramatus K=	<2,5 m/s ² 1,5 m/s ²



TÄHELEPANU!

Antud juhendis toodud võnketase on mõõdetud EN 60745 standardile vastava mõõtesüsteemiga ning seda võib kasutada erinevate elektriseadmete omavahelises võrdlemises. Antud näitaja sobib ka esmaseks võnkekoormuse hindamiseks.

Antud võnketase kehtib elektriseadme kasutamisel sihtotstarbeliselt. Kui elektriseadet kasutatakse muudel otstarvetel, muude tööriistadega või seda ei hooldata piisavalt võib võnketase siintoodust erineda. Eeltoodu võib võnketaset märkimisväärselt tõsta terves töökeskkonnas.

Võnketaseme täpsaks hindamiseks tuleks arvestada ka aega, mil seade on välja lülitatud või on küll sisse lülitatud, kuid ei ole otsest kasutuses. See võib märgatavalt vähendada kogu töökeskkonna võnketaset.

Rakendage spetsiaalseid ettevaatusabinõusid töötajate suhtes, kes puutuvad töö käigus palju kokku vibratsiooniga. Nendeks abinõudeks võivad olla, näiteks: elektri- ja tööseadmete korraline hooldus, käte soojendamine, töövoo parem organiseerimine.

⚠ TÄHELEPANU! Lugege kõik ohutusnõuanded ja juhendid läbi. Ohutusnõuete ja juhiste eiramise tagajärjeks võib olla elektrilööki, tulekahju ja/või rasked vigastused. **Hoidke kõik ohutusnõuded ja juhised edasiseks kasutamiseks hoolikalt alles.**

⚠ PRESSEADME OHUTUSOHJUTUSED

Kasutada kaitsevarustust. Masinaga töötamisel kanda alati kaitseprille. Kaitseriietusena soovitakse kasutada tolumumaski kaitsekindaid, kinniseid ja libisemisvastase tallaga jalanõusid, kiivrit ja kuulmisteede kaitset.

Ärge pange kunagi sõrmi või muid kehaosi silindri ja pressimisposkede tööpiirkonda.

Ärge hoidke poskede hooba pressimisprotseduuri ajal kätega kinni. Pressimistööriistu ja pressimiseadmeid tohib kasutada üksnes spetsialist.

Kontrollige pressimistööriistad ja pressimiseadmeid iga kord enne kasutamist pragude ning muude kulumisnähtuste suhtes üle. Kasutage ainult tehniliselt laitmatus seisundis pressimistööriistu ja pressimiseadmeid. Laske kahjustused kohe volitatud oskustöökohas remontida. Seadet tohib kasutada ainult sissepandud pressimispossega. Vajutage pressimisprotseduuri ajal esinevate rikete korral kohe ohulüliti ja laske SISSE-lüliti lahti. Ventil avaneb ja kolb liigub lähteasendisse tagasi. Pidage hooldusest ja hooldusintervallidest kohustuslikult kinni. Enne kõiki töid masina kallal võtke vahetatav aku välja.

TÖÖJUHISED

Kasutage ainult süsteemile sobivaid pressliitmikke ja nende jaoks ettenähtud pressimisposki. Leidke liitmiku või torude tõesluse- ja montaažijuhised süsteemi pakkuja kasutusjuhendist. Kontrollige, kas pressliitmiku nimimõõt vastab pressimisposse nimimõõdule. Pidage pressimise lõpetamisel silmas, kas pressimisposk on täielikult suletud. Ebakorrektsed toruühendused tuleb uue liitmikuga veel kord kokku pressida. Kontrollige pärast torusüsteemi installatsioonitööde lõpetamist vastavalt sobivate kontrollimisvahenditega tihedust. Pressimiseadme ei sobi püskikäituseks. Pärast 30-minutilise katkematu käitamist tuleb teha vähemalt lühike 15-minutine vaheaeg, et seade saaks maha jahtuda.

KASUTAMINE VASTAVALT OTSTARBELE

Pressimiseadmeid ja pressimisposki tohib kasutada eranditult torude ning liitmike pressimiseks, mille jaoks on ette nähtud vastavad pressimisposked.

Pressimiseadmeid on ette nähtud kasutamiseks eranditult pressimisposkedega, mis on Milwaukee poolt pärast süsteemi pakkujaga kooskõlastamist sobivatena deklareeritud.

AKUD

Pikemat aega mittekasutatud akusid laadige veel enne kasutamist. Temperatuur üle 50 °C vähendab vahetatava aku töövõimet. Vältige pikemat soojenemist päikese või kütteseadme mõjul. Hoidke laadija ja vahetatava aku ühenduskontaktid puhtad. Optimaalse patarei eluea tagamiseks, pärast kasutamist lae patareiplokk täielikult. Akud tuleks võimalikult pika kasutusea saavutamiseks pärast täislaadimist laadijast välja võtta.

Aku ladustamisel üle 30 päeva: Ladustage akut kuivas kohas u 27°C juures. Ladustage akut u 30-50% laetusseisundis. Laadige aku iga 6 kuu tagant täis.

Ärge visake tarvitatud vahetatavaid akusid tulle ega olmeprügisse. Milwaukee pakub vanade akude keskkonnahoidlikku käitlust; palun küsige oma erialaselt tarnijalt.

Ärge säilitage vahetatavaid akusid koos metallesemetega (lühiseoht).

Laadige süsteemi M18 vahetatavaid akusid ainult süsteemi M18 laadijatega. Ärge laadige nendega teiste süsteemide akusid.

Ärge avage vahetatavaid akusid ega laadijaid ning ladustage neid ainult kuivades ruumides. Kaitske niiskuse eest.

Äärmuslikul koormusel või äärmuslikul temperatuuril võib kahjustatud vahetatavat akut akuedelikult välja voolata. Akuedelikuga kokkupuutumise korral peske kohe vee ja seebiga. Silma sattumise

korral loputage kiiresti põhjalikult vähemalt 10 minutit ning pöörduge viivitamatult arsti poole.

Laadijal olevalle vahetatava aku ühenduskambrisse ei tohi sattuda metalloosi (lühiseoht).

LIITIUMIOONAKUDE TRANSPORTIMINE

Liitiumioonakud on allutatud ohtlike ainete transportimisega seonduvatele õigusaktidele.

Nende akude transportimine peab toimuma kohalikest, sise-riiklikest ja rahvusvahelistest eeskirjadest ning määrustest kinni pidades.

Tarbijad tohivad neid akusid edasiste piiranguteta tänaval transportida.

Liitiumioonakude komertstransport ekspedeerimisettevõtete kaudu on allutatud ohtlike ainete transportimisega seonduvatele õigusaktidele. Tarne-ettevalmistusi ja transporti tohivad teostada eranditult vastavalt koolitatud isikud. Kogu protsessi tuleb asjatundlikult jälgida.

Akude transportimisel tuleb järgida järgmisi punkte:

Tehke kindlaks, et kontaktid on lühiste vältimiseks kaitsitud ja isoleeritud. Pöörake tähelepanu sellele, et akupakk ei saaks pakendis niiskuda. Kahjustatud või välja voolanud akusid ei tohi kasutada. Pöörduge edasiste juhiste saamiseks ekspedeerimisettevõtte poole.

HOOLDUS

Kontrollige pressimisrullide ja pressimisrullide kergelt liikuvust. Puhastage ja määrige pärast töö lõpetamist pressimisrullid, riivid ning pressimisrullid.

Hooldus- ja remonditööd tohivad teostada üksnes volitatud oskustöökodad.

Seade sisaldab hüdraulikaõli, mis kujutab endast ohtu põhjaveele. Kontrollimatu väljalaskmine või asjatundmatu utiliseerimine on karistatav.

Pressimiseadmel on esitatud järgmine hooldus. Mainitud hooldus tuleb läbi viia vähemalt iga 2 aasta tagant või hiljemalt siis, kui LED-näidik sellest märku annab.

Vahetage kulunud pressimistöõriistad välja.

Hoidke masina õhutuspiilud alati puhtad.

Kasutage ainult Milwaukee tarvikuid ja Milwaukee tagavaraosi. Detailid, mille väljavahetamist pole kirjeldatud, laske välja vahetada Milwaukee klienditeeninduspunktis (vaadake brošüüri garantii / klienditeeninduste aadressid).

Vajaduse korral võite tellida seadme läbilõikejoonise, näidates ära masina tüübi ja andmesildil oleva numbri. Selleks pöörduge klienditeeninduspunkti või otse: Techtronic Industries GmbH, Max-Eyth-Straße 10, 71364 Winnenden, Germany.

EÜ VASTAVUSAVALDUS

Kinnitame oma ainuvastutusel, et „Tehniliste andmete“ all kirjeldatud toode vastab direktiivide kõigile asjakohastele sätetele 2011/65/EU (RoHS)

2006/42/EÜ

2014/30/EÜ

ning täidetud on järgmiste ühtlustatud standardite nõuded.

EN 60745-1:2009 + A11:2010

EN ISO 12100:2010

EN 55014-1:2017+A11:2020

EN 55014-2:2015

EN IEC 63000:2018



Winnenden, 2021-08-19

Alexander Krug / Managing Director

On volitatud koostama tehnilist dokumentatsiooni.

Techtronic Industries GmbH

Max-Eyth-Straße 10, 71364 Winnenden, Germany

SÜMBOLID



Palun lugege enne käikulaskmist kasutamisujuhend hoolikalt läbi.



ETTEVAATUST! TÄHELEPANU! OHUD!



Enne kõiki töid masina kallal võtke vahetatav aku välja.



TÄHELEPANU!

töödeldava eseme küljest tükide eemalepaikumine



Hoiatus! Muljumisoht



Tarvikud - ei kuulu tarne komplekti, soovitatav täiendus on saadaval tarvikute programmis.



Masinaga töötades kandke alati kaitseprille.



Hooldusklepp



Elektriseadmeid ei tohi utiliseerida koos majapidamisprügiga. Elektrilised ja elektroonilised seadmed tuleb eraldi kokku koguda ning keskkonناسöbralikuks utiliseerimiseks vastavas käitlusettevõttes ära anda. Küsige kohalikest pädevatest ametitest või edasimüüjalt käitlusjaamade ja kogumispunktide kohta järele.



Euroopa vastavusmärk



Ühendkuningriigi vastavusmärk



Ukraina vastavusmärk



Euraasia vastavusmärk



ТЕХНИЧЕСКИЕ ДАННЫЕ прессовки	M18 VLHPT
Серийный номер изделия	4524 10 03 000001-999999
Вольтаж аккумулятора	18 V
Потребляемая мощность	450 W
Номинальное усилие	32 kN
Область применения пресса : Ø Пластик & композитные трубы Ø Металл до	63 mm (110 mm) 54 mm (108 mm) завис. от сист.
Вес согласно процедуре EPTA 01/2014 (Li-Ion 2,0 Ah)	2,9 kg
Вес (M18 VLHPT / Li-Ion 2,0 Ah / J18-Th14)	4,7 kg
Информация по шумам Значения замерялись в соответствии со стандартом EN 60745. Уровень шума прибора, определенный по показателю A, обычно составляет:	
Уровень звукового давления (Небезопасность K=3dB(A))	76,5 dB (A)
Уровень звуковой мощности (Небезопасность K=3dB(A))	87,5 dB (A)
Пользуйтесь приспособлениями для защиты слуха.	
Информация по вибрации Общие значения вибрации (векторная сумма трех направлений) определены в соответствии с EN 60745. Значение вибрационной эмиссии _h	
Небезопасность K=	<2,5 m/s ² 1,5 m/s ²



ВНИМАНИЕ!

Указанный в настоящем руководстве уровень вибрации измерен в соответствии с технологией измерения, установленной стандартом EN 60745 и может использоваться для сравнения электроинструментов друг с другом. Он также подходит для предварительной оценки вибрационной нагрузки.

Указанный уровень вибрации представляет основные виды использования электроинструмента. Но если электроинструмент используется для других целей, используемый инструмент отклоняется от указанного или техническое обслуживание было недостаточным, то уровень вибрации может отклоняться от указанного. В этом случае вибрационная нагрузка в течение всего периода работы значительно увеличивается.

Для точной оценки вибрационной нагрузки необходимо также учитывать время, в течение которого прибор отключен или включен, но фактически не используется. В этом случае вибрационная нагрузка в течение всего периода работы может существенно уменьшиться.

Установите дополнительные меры безопасности для защиты пользователя от воздействия вибрации, например: техническое обслуживание электроинструмента и используемого инструмента, поддержание рук в теплом состоянии, организация рабочих процессов.



ВНИМАНИЕ! Ознакомьтесь со всеми указаниями по безопасности и инструкциями, в том числе с инструкциями. Упущения, допущенные при соблюдении указаний и инструкций по технике безопасности, могут стать причиной электрического поражения, пожара и тяжелых травм. **Сохраняйте эти инструкции и указания для будущего использования.**



МЕРЫ ПРЕДОСТОРОЖНОСТИ ПРИ РАБОТЕ С ПРИЖИМНЫМ УСТРОЙСТВОМ

Пользоваться средствами защиты. Работать с инструментом всегда в защитных очках. Рекомендуется спецодежда: пылезащитная маска, защитные перчатки, прочная и нескользящая обувь, каска и наушники.

Не допускайте попадания пальцев или других частей тела в рабочую зону цилиндра и пресс-колодок!

Во время процесса прессования не держите руками рычаги колодок.

К использованию пресс-форм и прессовочных устройств допускаются только специалисты.

Перед каждым применением проверять пресс-формы и прессовочные устройства на наличие трещин и прочих признаков износа.

Использовать только пресс-формы и прессовочные устройства, находящиеся в безупречном техническом состоянии.

Повреждения должны незамедлительно устраняться в сертифицированном сервисном центре.

Допускается использовать устройство только с применением пресс-колодки.

При возникновении неисправностей во время процесса прессования незамедлительно нажать аварийный выключатель и отпустить кнопку включения. Клапан откроется, а поршень вернется в исходное положение.

Строго соблюдать указания по техобслуживанию и его интервалам.

Выньте аккумулятор из машины перед проведением с ней каких-либо манипуляций.

УКАЗАНИЯ ПО РАБОТЕ

Использовать только соответствующие системе пресс-фитинги и подходящие для них пресс-колодки.

Соблюдайте указания по обработке и монтажу фитингов и труб, приведенные в документации поставщика системы.

Проверьте, чтобы номинальный внутренний диаметр пресс-фитинга соответствовал номинальному внутреннему диаметру пресс-колодки.

По завершении работ по запрессовке проконтролируйте, чтобы пресс-колодка была полностью закрыта.

Неправильно выполненные соединения труб необходимо повторно запрессовать с использованием нового фитинга.

Проверьте на герметичность систему труб после окончания монтажных работ при помощи соответствующих надлежащих средств контроля.

Прессовочное устройство не рассчитано на непрерывную эксплуатацию. Через 30 минут непрерывной эксплуатации необходимо сделать короткий перерыв не менее чем на 15 минут, чтобы устройство остыло.

ИСПОЛЬЗОВАНИЕ

Прессовочные устройства и пресс-колодки допускаются использовать исключительно для запрессовки труб и фитингов, для которых предусмотрены соответствующие пресс-колодки.

Прессовочные устройства предназначены исключительно для использования пресс-колодок, которые признаны пригодными компанией Milwaukee по согласованию с поставщиком системы.

АККУМУЛЯТОР

Перед использованием аккумулятора, которым не пользовались некоторое время, его необходимо зарядить.

Температура свыше 50°C снижает работоспособность аккумуляторов. Избегайте продолжительного нагрева или прямого солнечного света (риск перегрева).

Контакты зарядного устройства и аккумуляторов должны содержаться в чистоте.

Для обеспечения оптимального срока службы аккумулятор необходимо полностью заряжать после использования прибора.

Для достижения максимально возможного срока службы аккумуляторов после зарядки следует вынимать из зарядного устройства.

При хранении аккумулятора более 30 дней: Храните аккумулятор при 27°C в сухом месте. Храните аккумулятор с зарядом примерно 30% - 50%. Каждые 6 месяцев аккумулятор следует заряжать.

Не выбрасывайте использованные аккумуляторы вместе с домашним мусором и не сжигайте их. Дистрибьюторы компании Milwaukee предлагают восстановление старых аккумуляторов, чтобы защитить окружающую среду.

Не храните аккумуляторы вместе с металлическими предметами во избежание короткого замыкания.

Для зарядки аккумуляторов модели M18 используйте только зарядным устройством M18. Не заряжайте аккумуляторы других систем.

Никогда не вскрывайте аккумуляторы или зарядные устройства и храните их только в сухих помещениях. Следите, чтобы они всегда были сухими.

Аккумуляторная батарея может быть повреждена и дать течь под воздействием чрезмерных температур или повышенной нагрузки. В случае контакта с аккумуляторной кислотой немедленно промойте место контакта мылом и водой. В случае попадания кислоты в глаза промойте глаза в течении 10 минут и немедленно обратитесь за медицинской помощью.

Не допускается попадания каких-либо металлических предметов в аккумуляторный отсек зарядного устройства во избежание короткого замыкания.

ТРАНСПОРТИРОВКА ЛИТИЙ-ИОННЫХ АККУМУЛЯТОРОВ

Литий-ионные аккумуляторы в соответствии с предписаниями закона транспортируются как опасные грузы.

Транспортировка этих аккумуляторов должна осуществляться с соблюдением местных, национальных и международных предписаний и положений.

Эти аккумуляторы могут перевозиться по улице потребителем без дальнейших обязательств.

При коммерческой транспортировке литий-ионных аккумуляторов экспедиторскими компаниями действующими положения, касающиеся транспортировки опасных грузов. Подготовка к отправке и транспортировка должны производиться исключительно специально обученными лицами. Весь процесс должен находиться под контролем специалиста.

При транспортировке аккумуляторов необходимо соблюдать следующие пункты:

Убедитесь, что контакты защищены и изолированы во избежание короткого замыкания. Следите за тем, чтобы аккумуляторный блок не соскользнул внутри упаковки. Транспортировка поврежденных или протекающих аккумуляторов запрещена. За дополнительными указаниями обратитесь к своему экспедитору.

ОБСЛУЖИВАНИЕ

Проверить пресс-колодки и нажимные ролики на легкость хода.

По завершении работ очистить и смазать нажимные ролики, стопоры и пресс-колодки.

Работы по техобслуживанию и ремонту могут производиться только в сертифицированных сервисных центрах.

В устройстве содержится гидравлическое масло, представляющее опасность для грунтовых вод. Неконтролируемый слив или ненадлежащая утилизация наказывается штрафом.

На прессовочном устройстве указывается срок следующего техобслуживания. Техобслуживание должно производиться не реже чем раз в два года или не позднее, чем об этом просигнализирует светодиодный индикатор.

Заменять изношенные прессовочные устройства.

Всегда держите охлаждающие отверстия чистыми.

Пользуйтесь аксессуарами и запасными частями Milwaukee. В случае возникновения необходимости в замене, которая не была описана, обращайтесь в один из сервисных центров по обслуживанию электроинструментов Milwaukee (см. список сервисных организаций).

При необходимости может быть заказан чертеж инструмента с трехмерным изображением деталей. Пожалуйста, укажите номер и тип инструмента и закажите чертеж у Ваших местных агентов или непосредственно у Techtronic Industries GmbH, Max-Eyth-Straße 10, 71364 Winnenden, Germany.

ДЕКЛАРАЦИЯ О СООТВЕТСТВИИ СТАНДАРТАМ ЕС

Мы несем исключительную ответственность за то, что изделие, описанное в разделе «Техническая информация» соответствует всем применимым положениям директив

2011/65/EU (RoHS)

2006/42/EC

2014/30/EU

а также следующим согласованным стандартам

EN 60745-1:2009 + A11:2010

EN ISO 12100:2010

EN 55014-1:2017+A11:2020

EN 55014-2:2015

EN IEC 63000:2018



Winnenden, 2021-08-19

Alexander Krug / Managing Director

Уполномочен на составление технической документации.

Techtronic Industries GmbH

Max-Eyth-Straße 10, 71364 Winnenden, Germany



СИМВОЛЫ



Пожалуйста, внимательно прочтите инструкцию по использованию перед началом любых операций с инструментом.



ВНИМАНИЕ! ПРЕДУПРЕЖДЕНИЕ! ОПАСНОСТЬ!



Выньте аккумулятор из машины перед проведением с ней каких-либо манипуляций.



ВНИМАНИЕ!
Опасность получения травм из-за разлетающихся обломков



Предупреждение! Опасность защемления



Принадлежности - В стандартную комплектацию не входит, поставляется в качестве дополнительной принадлежности.



При работе с инструментом всегда надевайте защитные очки.



Наклейка с данными о ТО



Электрические устройства нельзя утилизировать вместе с бытовым мусором. Электрические и электронные устройства следует собирать отдельно и сдавать в специализированную утилизирующую компанию для утилизации в соответствии с нормами охраны окружающей среды. Сведения о центрах вторичной переработки и пунктах сбора можно получить в местных органах власти или у вашего специализированного дилера.



Европейский знак соответствия



Британский знак соответствия



Украинский знак соответствия



Евразийский знак соответствия



ТЕХНИЧЕСКИ ДАННИ	M18 ВЛНРТ
Пресоващи клещи	
Производствен номер	4524 10 03 000001-999999
Напрежение на акумулатора	18 V
Консумирана мощност	450 W
сила на пресоване	32 kN
Прес пространство : Ø & композитни тръби Ø Метал до	63 mm (110 mm) 54 mm (108 mm) система-зависим
Тегло съгласно процедурата EPTA 01/2014 (Li-Ion 2,0 Ah)	2,9 kg
Тегло (M18 ВЛНРТ / Li-Ion 2.0 Ah / J18-Th14)	4,7 kg
Информация за шума	
Измерените стойности са получени съобразно EN 60745.	
Оцененото с А ниво на шума на уреда е съответно:	
Равнище на звуковото налягане (Несигурност K=3dB(A))	76,5 dB (A)
Равнище на мощността на звука (Несигурност K=3dB(A))	87,5 dB (A)
Да се носи предпазно средство за слуха!	
Информация за вибрациите	
Общите стойности на вибрациите (векторна сума на три посоки) са определени в съответствие с EN 60745.	
Стойност на емисиите на вибрациите _h	<2,5 m/s ²
Несигурност K=	1,5 m/s ²

ВНИМАНИЕ!

Посоченото в тези инструкции ниво на вибрациите е измерено в съответствие със стандартизиран в EN 60745 измервателен метод и може да се използва за сравнение на електрически инструменти помежду им. Подходящ е и за временна оценка на вибрационното натоварване.

Посоченото ниво на вибрациите представя основните приложения на електрическия инструмент. Ако обаче електрическият инструмент се използва с друго предназначение, с различни сменяеми инструменти или при недостатъчна техническа поддръжка, нивото на вибрациите може да е различно. Това чувствително може да увеличи вибрационното натоварване по време на целия работен цикъл.

За точната оценка на вибрационното натоварване трябва да се вземат предвид и периодите от време, в които уредът е изключен или работи, но в действителност не се използва. Това чувствително може да намали вибрационното натоварване по време на целия работен цикъл.

Определете допълнителни мерки по техника на безопасност в защита на обслужващия работник от въздействието на вибрациите като например: техническа поддръжка на електрическия инструмент и сменяемите инструменти, поддръжане на ръцете топли, организация на работния цикъл.

⚠ ВНИМАНИЕ! Прочетете указанията за безопасност и съветите. Пропуски при спазването на указанията и на инструкциите за безопасност могат да доведат до токов удар, пожар и/или тежки наранявания. **Запазете всички указания и инструкции за безопасност за бъдещето.**

⚠ ПРЕСА – ПРЕДУПРЕЖДЕНИЯ ЗА БЕЗОПАСНОСТ

Да се използват предпазни средства. При работа с машината винаги носете предпазни очила. Препоръчват се защитно облекло и прахозащитна маска, защитни ръкавици, здрави и нехлъзгащи се обувки, каска и предпазни средства за слуха.

Никога не дръжте пръстите си или други части на тялото в работната зона на цилиндъра и на прес челюстите.

Никога не дръжте с ръце лоста на челюстите по време на процеса на пресоване.

Инструментите и уредите за пресоване трябва да се използват само от обучени служители.

Преди всяка употреба проверявайте инструментите и уредите за пресоване за пукнатини и други белези на износване.

Инструментите и уредите за пресоване следва да се използват само в безупречно техническо състояние.

Отстранете повредите незабавно в оторизиран специализиран сервис.

Уредът може да се използва само с поставена прес челюст.

При смущения по време на процеса на пресоване, веднага включете прекъсвача при опасност и пуснете прекъсвача ВКЛ. Клапанът се отваря и буталото се връща в изходна позиция.

Спазвайте стриктно времето за и интервалите на поддръжка.

Преди започване на каквито и да е работи по машината извадете акумулатора.

УКАЗАНИЯ ЗА РАБОТА

Използвайте само предназначени за системата прес фитинги, както и подходящите за тях прес челюсти.

От документацията на производителя на системата вземете указанията за обработка и монтаж за фитинги и тръби.

Проверете, дали номиналният вътрешен диаметър на прес фитинга съвпада с номиналния вътрешен диаметър на прес челюстта.

След извършено пресоване обърнете внимание, дали прес челюстта е напълно затворена.

Неправилно свързаните тръбни съединения следва да бъдат пресовани още веднъж с нов фитинг.

След приключване на инсталационните работи тръбната система следва да се провери за уплътненост със съответните средства за проверка.

Пресоващият уред не е подходящ за продължителна употреба. След 30 минути непрекъсната употреба трябва да бъде направена кратка пауза от минимум 15 минути, за да може уредът да се охлади.

ИЗПОЛЗВАНЕ ПО ПРЕДНАЗНАЧЕНИЕ

Уредите и челюстите за пресоване следва да бъдат използвани изключително за пресоване на тръби и фитинги, за които са предвидени съответните прес челюсти.

Уредите за пресоване са предвидени изключително за употреба на прес челюсти, които са обявени от Milwaukee за подходящи в съответствие с производителя на системата.



АКУМУЛАТОРИ

Акумулатори, които не са ползвани по-дълго време, преди употреба да се дозаредят.

Температура над 50°C намалява мощността на акумулатора. Да се избягва по-продължително нагряване на слънце или от отопление.

Поддържайте чисти присъединителните контакти на зарядното устройство и на акумулатора.

За оптимална продължителност на живот след употреба батериите трябва да се заредят напълно.

За възможно по-дълга продължителност на живот батериите трябва да се изваждат от уреда след зареждане.

При съхранение на батериите за повече от 30 дни:

съхранявайте батерията при прилб. 27°C и на сухо място.

Съхранявайте батерията при 30 до 50 % от заряда. Зареждайте батерията на всеки 6 месеца.

Не извършвайте изхабените акумулатори в огъня или в при битовите отпадъци. Milwaukee предлага екологосъобразно събиране на старите акумулатори; моля попитайте Вашия специализиран търговец.

Не съхранявайте акумулаторите заедно с метални предмети (опасност от късо съединение).

Акумулатори от системата M18 да се зареждат само със зарядни устройства от системата M18 laden. Да не се зареждат акумулатори от други системи.

Не отваряйте акумулатори и зарядни устройства и ги съхранявайте само в сухи помещения. Пазете ги от влага.

При екстремно натоварване или екстремна температура от повредени акумулатори може да изтече батерийна течност.

При допир с такава течност веднага измийте с вода и сапун. При контакт с очите веднага изплаквайте старателно най-малко 10 минути и незабавно потърсете лекар.

В гнездото за акумулатори на зарядните устройства не бива да попадат метални части (опасност от късо съединение).

ПРЕВОЗ НА ЛИТИЕВО-ЙОННИ БАТЕРИИ

Литиево-йонните батерии са предмет на законовите разпоредби за превоз на опасни товари.

Превозът на тези батерии трябва да се извършва в съответствие с местните, националните и международните разпоредби и регламенти.

Потребителите могат да превозват тези батерии по пътя без допълнителни изисквания.

Превозът на литиево-йонни батерии от транспортни компании е предмет на законовите разпоредбите за превоз на опасни товари. Подготовката на превоза и самият превоз трябва да се извършват само от обучени лица. Целият процес трябва да е под професионален надзор.

Спазвайте следните изисквания при превоз на батерии:

Уверете се, че контактите са защитени и изолирани, за да се избегне късо съединение. Уверете се, че няма опасност от разместване на батерията в опаковката. Не превозвайте повредени батерии или такива с течове. Обърнете се към Вашата транспортна компания за допълнителни инструкции.

ПОДДРЪЖКА

Проверете лекото движение на прес челюстите и на прес ролките.

След приключване на работа пресролките, фиксаторът и прес челюстите трябва да се почистят и омаслят.

Свързаните с ремонт и поддръжка работи следва да се извършват само от оторизирани специализирани сервиси.

Уредът съдържа хидравлично масло, което представлява опасност за подпочвените води. Неконтролираното му изпускане или неправомерно извървяне като отпадък се наказва от закона.

Върху уреда за пресоване е посочена датата за следващата поддръжка. Тази поддръжка трябва да бъде извършвана минимум на всеки две години или най-късно, когато за това сигнализира LED-индикаторът.

Заменете износените инструменти за пресоване.

Вентилационните шлицы на машината да се поддържат винаги чисти.

Да се използват само аксесоари на Milwaukee и резервни части на Milwaukee. Елементи, чията подмяна не е описана, да се дадат за подмяна в сервис на Milwaukee (вижте брошурата „Гаранция и адреси на сервиси“).

При необходимост можете да поискате за уреда от Вашия сервис или директно от Techtronic Industries GmbH, Max-Eyth-Straße 10, 71364 Winnenden, Germany, чертеж за в случай на експлозия, като посочите типа на машината и номер върху заводската табелка.

СЕ - ДЕКЛАРАЦИЯ ЗА СЪОТВЕТВИЕ

Ние декларираме, изцяло на наша отговорност, че продуктът, описан в „Технически данни“, съответства на всички необходими изисквания на директивите

2011/65/EU (RoHS)

2006/42/EU

2014/30/EU

и че са използвани следните хармонизирани стандарти

EN 60745-1:2009 + A11:2010

EN ISO 12100:2010

EN 55014-1:2017+A11:2020

EN 55014-2:2015

EN IEC 63000:2018



Winnenden, 2021-08-19

Alexander Krug / Managing Director

Упълномощен за съставяне на техническата документация

Techtronic Industries GmbH

Max-Eyth-Straße 10, 71364 Winnenden, Germany

СИМВОЛИ



Преди пускане на уреда в действие моля прочетете внимателно инструкцията за използване.



ВНИМАНИЕ! ПРЕДУПРЕЖДЕНИЕ! ОПАСНОСТ



Преди започване на каквито е да работи по машината извадете акумулатора.



ВНИМАНИЕ!
Предупреждение за отхвърлени предмети



Предупреждение! Опасност от смачкване



Акcesoари - Не се съдържат в обема на доставката, препоръчвано допълнение от програмата за акcesoари.



При работа с машината винаги носете предпазни очила.



Лепенка за поддръжка



Електрическите уреди не трябва да се изхвърлят заедно с битовите отпадъци. Електрическото и електронното оборудване трябва да се събират отделно и да се предават на службите за рециклиране на отпадъците според изискванията за опазване на околната среда. Информирайте се при местните служби или при местните специализирани търговци относно местата за събиране и центровете за рециклиране на отпадъци.



Европейски знак за съответствие



Британски знак за съответствие



Украински знак за съответствие



Евро-азиатски знак за съответствие



DATE TEHNICE Clește	M18 BLHPT
Număr producție	4524 10 03 000001-999999
Tensiune acumulator	18 V
Consumul de putere	450 W
forța de presare	32 kN
zona de presă : Ø & Țevi compozite Ø Metal până la data de	63 mm (110 mm) 54 mm (108 mm) dependent de sistem
Greutatea conform „EPTA procedure 01/2014” (Li-Ion 2,0 Ah)	2,9 kg
Greutate (M18 BLHPT / Li-Ion 2.0 Ah / J18-Th14)	4,7 kg
Informație privind zgomotul Valori măsurate determinate conform EN 60745. Nivelul de zgomot evaluat cu A al aparatului este tipic de:	
Nivelul presiunii sonore (Nesiguranță K=3dB(A))	76,5 dB (A)
Nivelul sunetului (Nesiguranță K=3dB(A))	87,5 dB (A)
Purtați căști de protecție	
Informații privind vibrațiile Valorile totale de oscilație (suma vectorială pe trei direcții determinate conform normei EN 60745. Valoarea emisiei de oscilația _h	
Nesiguranță K=	<2,5 m/s ² 1,5 m/s ²



AVERTISMENT!

Gradul de oscilație indicat în prezentele instrucțiuni a fost măsurat în conformitate cu o procedură de măsurare normată prin norma EN 60745 și poate fi folosit pentru a compara unelte electrice între ele. El se pretează și pentru o evaluare provizorie a solicitării la oscilații.

Gradul de oscilație indicat reprezintă aplicațiile principale ale uneltelor electrice. În cazul în care însă uneltele electrice au fost folosite pentru alte aplicații, ori au fost folosite unelte de muncă diferite ori acestea nu au fost supuse unei suficiente inspecții de întreținere, gradul de oscilație poate fi diferit.

Acest fapt poate duce la o creștere netă a solicitărilor la oscilații dealungul întregii perioade de lucru. În scopul unei evaluări exacte a solicitării la oscilații, urmează să fie luate în considerație și perioadele de timp în care aparatul a fost oprit ori funcționează dar, în realitate, el nu este folosit în mod practic. Acest fapt poate duce la o reducere netă a solicitărilor la oscilații dealungul întregii perioade de lucru.

Stabiliți măsuri de siguranță suplimentare în scopul protecției utilizatorului de efectele oscilațiilor, de exemplu: inspecție de întreținere a uneltelor electrice și a celor de muncă, păstrarea caldă a mâinilor, organizarea proceselor de muncă.



AVERTISMENT! Citiți toate avizele de siguranță și indicațiile. Nerespectarea indicațiilor de avertizare și a instrucțiunilor poate provoca electrocutare, incendii și/sau răniuri grave. **Păstrați toate indicațiile de avertizare și instrucțiunile în vederea utilizărilor viitoare.**



AVERTISMENTE DE SECURITATE DISPOZITIV PRESĂ

Folosiți echipament de protecție . Purtați întotdeauna ochelari de protecție când lucrați cu mașina . Se recomandă utilizarea hainelor de protecție ca de ex. Măști contra prafului, mănuși de protecție, încălțăminte stabilă nealunecoasă, cască și apărătoare de urechi.

Nu introduceți niciodată degetele sau alte părți ale corpului în zona de lucru a cilindrului și a bacurilor de presare.

Nu țineți cu mâinile părțile bacurilor în timpul procesului de presare.

Utilizarea sculelor de presare și a aparatelor de presare este permisă numai persoanelor calificate.

Înainte de fiecare utilizare verificați sculele de presare și aparatele de presare în privința existenței unor fisuri și a altor semne de uzură.

Sculele de presare și aparatele de presare se vor utiliza numai dacă se află în stare tehnică ireproșabilă.

Deteriorările trebuie reparate imediat de către un atelier autorizat.

Utilizarea aparatului este permisă numai cu bacurile de presare montate.

În cazul unor deranjamente în timpul procesului de presare, apăsați imediat întrerupătorul de urgență și eliberați întrerupătorul de PORNIRE. Ventilul se deschide iar pistonul revine în poziția inițială.

Operațiile și intervalele de întreținere trebuie respectate în mod obligatoriu.

Îndepărtați acumulatorul înainte de începerea lucrului pe mașina

INDICAȚII DE LUCRU

Utilizați numai fitinguri adecvate sistemului precum și bacuri de presare concepute pentru acestea.

Instrucțiunile pentru prelucrarea și montarea fitingurilor și țevelor se găsesc în documentația ofertantului sistemului.

Verificați corespondența dintre cota nominală a fitingului care urmează a fi presat și cota nominală a bacurilor de presare.

După încheierea fazei de presare, verificați dacă bacurile de presare sunt complet închise.

Îmbinările incorecte ale conductelor trebuie din nou presate cu un fitting nou.

După încheierea lucrărilor de instalare, controlați etanșeitatea sistemului de conducte cu ajutorul unor mijloace de verificare adecvate.

Aparatul de presare nu este adecvat pentru utilizarea în regim permanent. După o funcționare neîntreruptă de 30 de minute, trebuie făcută o scurtă pauză de minim 15 minute pentru a permite aparatului să se răcească.

CONDIȚII DE UTILIZARE SPECIFICATE

Utilizarea aparatelor de presare și a bacurilor de presare este permisă numai pentru presarea de conducte și fitinguri pentru care sunt prevăzute bacurile de presare în cauză.

Aparatele de presare sunt destinate pentru a fi utilizate exclusiv cu bacurile care au fost declarate de firma Milwaukee de comun acord cu ofertantul sistemului ca fiind adecvate.

ACUMULATORI

Acumulatorii care nu au fost utilizați o perioadă de timp trebuie reincărcăți înainte de utilizare

Temperatura mai mare de 50°C (122°F) reduce performanța acumulatorului. Evitați expunerea prelungită la căldură sau radiație solară (risc de supraîncălzire)

Contactele încărcătoarelor și acumulatorilor trebuie păstrate curate.

În scopul optimizării duratei de funcționare, bateriile trebuie reincărcate complet după utilizare.

Pentru o durată de viață cât mai lungă, acumulatorii ar trebui scoși din încărcător după încărcare.

La depozitarea acumulatorilor mai mult de 30 zile: Acumulatorii se depozitează la cca. 27°C și la loc uscat. Acumulatorii se depozitează la nivelul de încărcare de cca. 30%-50%. Acumulatorii se încarcă din nou la fiecare 6 luni.

Nu aruncați acumulatorii uzați la containerul de reziduri menajere și nu îi ardeți. Milwaukee Distributors se oferă să recupereze acumulatorii vechi pentru protecția mediului înconjurător.

Nu depozitați acumulatorul împreună cu obiecte metalice (risc de scurtcircuit)

Folosiți numai încărcătoare System M18 pentru încărcarea acumulatorilor System M18. Nu folosiți acumulatori din alte sisteme.

Nu deschideți niciodată acumulatorii și încărcătoarele și pastrați-le numai în încăperi uscate. Pastrați-le întotdeauna uscate.

Acidul se poate scurge din acumulatorii deteriorați la încărcători sau temperaturi extreme. În caz de contact cu acidul din acumulator, spălați imediat cu apă și săpun. În caz de contact cu ochii, clătiți cu atenție timp de cel puțin 10 minute și apelați imediat la îngrijire medicală.

Nu se permite introducerea nici unei piese metalice în locașul pentru acumulator al incarcatorului. (risc de scurtcircuit)

TRANSPORTUL ACUMULATORILOR CU IONI DE LITIU

Acumulatorii cu ioni de litiu cad sub incidența prescripțiilor legale pentru transportul de mărfuri periculoase.

Transportul acestor acumulatori trebuie să se efectueze cu respectarea prescripțiilor și reglementărilor pe plan local, național și internațional.

Consumatorilor le este permis transportul rutier nerestricționat al acestui tip de acumulatori.

Transportul comercial al acumulatorilor cu ioni de litiu prin intermediul firmelor de expediție și transport este supus reglementărilor transportului de mărfuri periculoase. Pregătirile pentru expediție și transportul au voie să fie efectuate numai de către personal instruit corespunzător. Întregul proces trebuie asistat în mod competent.

Următoarele puncte trebuie avute în vedere la transportul acumulatorilor:

Pentru a se evita scurtcircuite, asigurați-vă de faptul că sunt protejate și izolate contactele. Aveți grijă ca pachetul de acumulatori să nu poată aluneca în altă poziție în interiorul ambalajului său. Este interzis transportarea unor acumulatori deteriorați sau care pierd lichid. Pentru indicații suplimentare adresați-vă firmei de expediție și transport cu care colaborați.

ÎNȚEȚINERE

Verificați mersul ușor al bacurilor de presare și al roletelor de presare.

După încheierea lucrărilor curățați și gresați roletele de presare, dispozitivul de blocare și bacurile de presare.

Efectuarea lucrărilor de întreținere și de reparație este permisă numai atelierelor de specialitate autorizate.

Aparatul conține ulei hidraulic care reprezintă un pericol pentru apa freatică. Golirea necontrolată sau eliminarea necorespunzătoare a acestuia este posibilă de pedeapsă.

Pe aparatul de presare este indicat termenul pentru următoarea întreținere. Întreținerea trebuie efectuată cel puțin la fiecare 2 ani sau cel mai târziu la semnalizarea afișajului cu LED-uri.

Înlocuiți sculele de presare uzate.

Fantele de aerisire ale mașinii trebuie să fie menținute libere tot timpul

Utilizați numai accesorii și piese de schimb Milwaukee. Dacă unele din componente care nu au fost descrise trebuie înlocuite, vă rugăm contactați unul din agenții de service Milwaukee (vezi lista noastră pentru service / garanți

Dacă este necesară, se poate comanda o imagine descompusă a sculei. Vă rugăm menționați numărul art. Precum și tipul mașinii tipărit pe etichetă și comandați desenul la agenții de service locali sau direct la Techtronic Industries GmbH, Max-Eyth-Straße 10, 71364 Winnenden, Germany.

DECLARAȚIE DE CONFORMITATE

Declaram pe propria răspundere că produsul descris în capitolul „Date tehnice” îndeplinește toate cerințele relevante ale directivelor

2011/65/EU (RoHS)

2006/42/CE

2014/30/EU

și au fost utilizate următoarele standarde armonizate

EN 60745-1:2009 + A11:2010

EN ISO 12100:2010

EN 55014-1:2017+A11:2020

EN 55014-2:2015

EN IEC 63000:2018



Winnenden, 2021-08-19

Alexander Krug / Managing Director

Împuternicit să elaboreze documentația tehnică.

Techtronic Industries GmbH

Max-Eyth-Straße 10, 71364 Winnenden, Germany

SIMBOLURI



Vă rugăm citiți cu atenție instrucțiunile înainte de pornirea mașinii



PERICOL! AVERTIZARE! ATENȚIE!



Îndepărtați acumulatorul înainte de începerea lucrului pe mașina



AVERTISMENT!
Avertisment împotriva obiectelor aruncate



Avertizare! Pericol de strivire



Accesorii - Nu este inclus în echipamentul standard, disponibil ca accesorii



Purtați întotdeauna ochelari de protecție când utilizați mașina.



Autocolant cu termenul pentru efectuarea întreținerii



Aruncarea aparatelor electrice la gunoii menajere este interzisă. Echipamentele electrice și electronice trebuie colectate separat și predate la un centru de reciclare și eliminare a deșeurilor, pentru a fi eliminate ecologic. Interesați-vă la autoritățile locale sau la comerciantul dvs. de specialitate unde se află centre de reciclare și puncte de colectare.



Marcă de conformitate europeană



Marcă de conformitate britanică



Marcă de conformitate ucraineană



Marcă de conformitate eurasiatică





ТЕХНИЧКИ ПОДАТОЦИ Прес клешти	M18 BLHPT
Производен број	4524 10 03 000001-999999
Волтажа на батеријата	18 V
Прием на сила	450 W
притисок сила	32 kN
Мерно подрачје : Ø & Композитни цевки Ø Метал до	63 mm (110 mm) 54 mm (108 mm) Во зависност од системот
Тежина според ЕПТА-процедурата 01/2014 (Li-Ion 2,0 Ah)	2,9 kg
Тежина (M18 BLHPT / Li-Ion 2,0 Ah / J18-Th14)	4,7 kg
Информации за бучавата Измерените вредности се одредени согласно стандардот EN 60745. А-оценетото ниво на бучава на апаратот типично изнесува:	
Ниво на звучен притисок. (Несигурност K=3dB(A))	76,5 dB (A)
Ниво на јачина на звук. (Несигурност K=3dB(A))	87,5 dB (A)
Носте штитник за уши.	
Информации за вибрации Вкупни вибрациски вредности (векторски збир на трите насоки) пресметани согласно EN 60745.	
Вибрациска емисиона вредност _a Несигурност K	<2,5 m/s ² 1,5 m/s ²

ПРЕДУПРЕДУВАЊЕ!

Нивото на осцилација наведено во овие инструкции е измерено во согласност со мерните постапки нормирани во EN 60745 и може да биде употребено за меѓусебна споредба на електро-алати. Ова ниво може да се употреби и за привремена проценка на оптоварувањето на осцилацијата.

Наведеното ниво на осцилација ги репрезентира главните намени на електро-алатот. Но, доколку електро-алатот се употребува за други намени, со отстапувачки додатоци или со несоодветно одржување, нивото на осцилација може да отстапи. Тоа може значително да го зголеми оптоварувањето на осцилацијата за време на целиот работен период.

За прецизна проценка на оптоварувањето на осцилацијата предвид треба да бидат земен и времињата, во коишто апаратот е исклучен или работи, но фактички не се употребува. Тоа може значително да го намали оптоварувањето на осцилацијата за време на целиот работен период.

Утврдете дополнителни безбедносни мерки за заштита на операторот од влијанието на осцилациите, како на пример: одржување на електро-алатот и на додатоци кон електро-алатот, одржување топли раце, организација на работните процеси.

⚠ ПРЕДУПРЕДУВАЊЕ! Прочитајте ги сите безбедносни упатства и инструкции. Заборавање на почитувањето на безбедносните упатства и инструкции можат да предизвикаат електричен удар, пожар и/или тешки повреди. **Сочувајте ги сите безбедносни упатства и инструкции за во иднина.**

⚠ БЕЗБЕДНОСНИ ПРЕДУПРЕДУВАЊА ЗА УРЕДОТ ЗА ПРИТИСОК

Употребувајте заштитна опрема. При работа со машината постојано носете заштитни очила. Се препорачува заштитна облека како: маска за заштита од прашина, заштитни ракавици, цврсти чевли што не се лизгаат, кацига и заштита за уши.

Никогаш не ги држете прстите или други делови од телото во работното подрачје на цилиндарот и на стегачите.

Не ги држете полугите со рацете за време на постапката на стегачето.

Орудијата за стегаче и апаратите за стегаче смеат да бидат употребувани само од страна на стручно лице.

Пред секоја употреба проверете ги орудијата за стегаче и апаратите за стегаче во однос на пукнатини и други абезења.

Орудијата за стегаче и апаратите за стегаче употребувајте ги исклучиво во технички беспрекорна состојба.

Во случај на оштетувања истите веднаш да бидат дадени на авторизирана стручна работилница на поправка.

Апаратот смеа да биде употребуван исклучиво со ставен стегач.

Во случај на пречки за време на постапката на притискање веднаш притиснете го прекинувачот за опасност и отпуштете го прекинувачот за ВКЛУЧУВАЊЕ. Вентилот се отвора и клипот се враќа во појдовната позиција.

Обавезно е потребно придржување кон одржувањето и интервали-те на одржување.

Извадете го батерискиот склоп пред отпочнување на каков и да е зафат врз машината.

РАБОТНИ УПАТСТВА

Смеат да се употребуваат исклучиво фитинзи за стегаче како и за таа цел наменети стегачи.

Упатствата за обработка и монтажа на фитинзите или цевките можете да ги најдете во документа-цијата на понудувачот на системите.

Проверете дали внатрешниот пресек на фитинг за стегаче е во склад со внатрешниот пресек на стегачот.

После завршено стегаче обратете внимание на тоа, стегачот да е потполно затворен.

Некоректни спојки кај цевките со нов фитинг ќе морате повторно да ги стегнете.

После завршување на инстала-ционите работи проверете го цевниот систем со соодветни средства за проверка во однос на дихтувањето.

Апаратот за стегаче не е наменет за непрекината работа. Откако апаратот ќе биде вклучен непрекинато 30 минути, мора да се направи кратка пауза од барем 15 минути, за да може да истине.

СПЕЦИФИЦИРАНИ УСЛОВИ НА УПОТРЕБА

Апаратите за стегаче и стегачите смеат да се употребуваат исклучиво за стегнување на цевки и фитинзи за кои што се предвидени соодветните стегачи.

Апаратите за стегаче се наменети исклучиво за употреба на стегачи кои што од страна на Milwaukee се одредени со соодветни во склад со системскиот понудувач.

БАТЕРИИ

Батериите кои не биле користени подолго време треба да се наполнат пред употреба.

Температура повисока од 50°C (122°F) го намалуваат траењето на батериите. Избегнувајте подолго изложување на батериите на високи температури или сонце (ризик од прегревање).

Клемтите на полначот и батериите мора да бидат чисти.

За оптимален работен век батериите мора да се наполнат целосно по употреба.

За можно подолг век на траење, апаратите после нивното полнење треба да бидат извадени од апаратот за полнење на батериите.

Во случај на складирање на батеријата подолго од 30 дена: Акумулаторот да се чува на температура од приближно 27°C и на суво место. Акумулаторот да се складира на приближно 30%-50% од состојбата на наполнетост. Акумулаторот повторно да се наполни на секои 6 месеци.

Не ги оставајте искористените батерии во домашниот отпад и не горете ги. Дистрибутерите на Милвоки ги собираат старите батерии, со што ја штитат нашата околина.

Не ги чувајте батериите заедно со метални предмети (ризик од краток спој).

Користете исклучиво Систем M18 за полнење на батерии од M18 систем. Не користете батерии од друг систем.

Не ги отворајте насилно батериите и полначите, и чувајте ги само на суво место. Чувајте ги постојано суви.

Киселината од оштетените батериите може да истече при екстреман напон или температури. Доколку дојдете во контакт со исатата, измијте се веднаш со сапун и вода. Во случај на контакт со очите плакнете ги убаво најмалку 10 минути и задолжително одете на лекар.

Метални парчиња не смеат да навлезат во делот за полнење на батерија (ризик од краток спој).

ТРАНСПОРТ НА ЛИТИУМ-ЈОНСКИ БАТЕРИИ

Литиум-јонските батерии подлежат на законските одредби за транспорт на опасни материи.

Транспортот на овие батерии мора да се врши согласно локалните, националните и меѓународните прописи и одредби.

Потрошувачите на овие батерии може да вршат непречен патен транспорт на истите.

Комерцијалниот транспорт на литиум-јонски батерии од страна на шпедитерски претпријатија подложни на одредбите за транспорт на опасни материи. Подготовките за шпедиција и транспорт треба да ги вршат исклучиво соодветно обучени лица. Целокупниот процес треба да биде стручно надгледуван.

При транспортот на батерии треба да се внимава на следното:

Осигурајте се дека контактите се заштитени и изолирани, а сето тоа со цел да се избегнат кратки споеви. Внимавајте да не дојде до преместување на батериите во нивната амбалажа. Забранет е транспорт на оштетени или протечени литиум-јонски батерии. За понатамошни инструкции обратете се до Вашето шпедитерско претпријатие.

ОДРЖУВАЊЕ

Да се проверат стегачите и ролните за стегање во однос на нивниот лесен од.

По завршување на работата, ролните за стегање, резината и стегачите да се очистат и одмастат.

Работите на одржување и поправка смеат да бидат изведувани исклучиво од страна на авторизирани стручни работилници.

Апаратот содржи хидрау-лично масло кое што претставува опасност за подземните води. Неконтролирано испуштање или нестручно фрлање е казниво.

На апаратот за стегање е наведен следниот термин за одржување. Ова одржување мора да биде спроведено барем на секои 2 години или најдоцна кога тоа ќе го сигнализира LED-индикаторот.

Изабени орудија за стегање да се заменат.

Вентилациските отвори на машината мора да бидат комплетно отворени постојано.

Користете само Milwaukee додаточи и резервни делови. Доколку некои од компонентите кои не се опишани треба да бидат заменети, Ве молиме контактирајте ги сервисните агенти на Milwaukee (консултирајте ја листата на адреси).

Доколку е потребно можно е да биде набавен детален приказ на алатот. Ве молиме наведете го бројот на артиклот како и типот на машина кој е отпечатан на етикетата и порачајте ја скицата кај локалниот застапник или директно кај: Techtronic Industries GmbH, Max-Eyth-Straße 10, 71364 Winnenden, Germany.

ЕУ-ДЕКЛАРАЦИЈА ЗА СООБРАЗНОСТ

Под целосна лична одговорност изјавуваме дека производот опишан во „Технички податоци“ е во сообразност со сите релевантни прописи од директивите 2011/65/EU (RoHS)

2006/42/EC

2014/30/EU

и дека се применети следните хармонизирани стандарди

EN 60745-1:2009 + A11:2010

EN ISO 12100:2010

EN 55014-1:2017 + A11:2020

EN 55014-2:2015

EN IEC 63000:2018



Winnenden, 2021-08-19

Alexander Krug / Managing Director

Ополномоштен за составување на техничката документација.

Techtronic Industries GmbH

Max-Eyth-Straße 10, 71364 Winnenden, Germany



СИМБОЛИ



Ве молиме пред да ја стартувате машината обрнете внимание на упатствата за употреба.



ВНИМАНИЕ! ПРЕДУПРЕДУВАЊЕ! ОПАСНОСТ!



Извадете го батерискиот склоп пред отпочнување на каков и да е зафат врз машината.



ПРЕДУПРЕДУВАЊЕ!
летање на делови од работните предмети



Предупредување! Опасност од згмечување



Дополнителна опрема - Не е вклучена во стандардната, а достапна е како додаток.



Секогаш при користење на машината носете ракавици.



Налепница за одржување.



Електричните апарати не смеат да се фрлат заедно со домашниот отпад. Електричните и електронските апарати треба да се собираат одделно и да се однесат во соодветниот погон заради нивно фрлање во склад со начелата за заштита на околината. Информирајте се кај Вашите местни служби или кај специјализираниот трговски претставник, каде има такви погони за рециклажа и собирни станици.



Европска ознака за сообразност



Британска ознака за сообразност



Украинска ознака за сообразност



Евроазиска ознака за сообразност



ТЕХНІЧНІ ХАРАКТЕРИСТИКИ Пресувальний пристрій	M18 BLHPT
Номер виробу	4524 10 03 000001-999999
Напруга змінної акумуляторної батареї	18 V
Споживана потужність	450 W
Номінальна сила	32 kN
Ділянка пресування : Ø Полімерний матеріал & Багатошарові композитні труби Ø Метал до	63 mm (110 mm) 54 mm (108 mm) залежно від системи
Вага згідно з процедурою EPTA 01/2014 (Li-Ion 2,0 Ah)	2,9 kg
Вага (M18 BLHPT / Li-Ion 2.0 Ah / J18-Th14)	4,7 kg
Інформація про шум Виміряні значення визначені згідно з EN 60745. Рівень шуму „А” приладу становить в типовому випадку: Рівень звукового тиску (похибка K = 3 дБ(A)) Рівень звукової потужності (похибка K = 3 дБ(A))	76,5 dB (A) 87,5 dB (A)
Використовувати засоби захисту органів слуху!	
Інформація щодо вібрації Сумарні значення вібрації (векторна сума трьох напрямків), встановлені згідно з EN 60745. Значення вібрації _n похибка K =	<2,5 m/s ² 1,5 m/s ²

ПОПЕРЕДЖЕННЯ!

Рівень вібрації, вказаний в цій інструкції, вимірювався згідно з методом вимірювання, нормованим стандартом EN 60745, і може використовуватися для порівняння електроінструментів. Він призначений також для попередньої оцінки навантаження від вібрації.

Вказаний рівень вібрації відповідає основним сферам використання електроінструменту. Але якщо електроінструмент використовується для іншої мети, з іншими вставними інструментами або при недостатньому технічному обслуговуванні, рівень вібрації може бути іншим. Це може значно підвищити навантаження від вібрації за весь період роботи.

Для точної оцінки навантаження від вібрації необхідно також враховувати час, коли прилад вимкнений або увімкнений, але фактично не використовується. Це може значно зменшити навантаження від вібрації за весь період роботи.

Визначте додаткові заходи безпеки для захисту оператора від дії вібрації, наприклад: Технічне обслуговування електроінструменту та вставних інструментів, зігрівання рук, організація робочих процесів.



ПОПЕРЕДЖЕННЯ! Прочитайте всі вказівки з техніки безпеки та інструкції. Упущення при дотриманні вказівок з техніки безпеки та інструкцій можуть призвести до ураження електричним струмом, пожежі та/або тяжких травм. **Зберігайте всі вказівки з техніки безпеки та інструкції на майбутнє.**



ВКАЗІВКИ З ТЕХНІКИ БЕЗПЕКИ ДЛЯ ПРЕСУВАЛЬНИХ ПРИСТРОЇВ

Використовуйте індивідуальні засоби захисту. Під час роботи з машиною завжди носіть захисні окуляри. Радимо використовувати захисний одяг, як наприклад маску для захисту від пилу, захисні рукавиці, міцне та нековзне взуття, каску та засоби захисту органів слуху.

Ніколи не тримайте пальці або інші частини тіла в робочій зоні циліндра та лещат.

Під час пресування не утримуйте важіль лещат руками.

Пресувальні пристрої та інструменти можуть використовувати тільки кваліфіковані робітники.

Перед кожним використанням перевіряти пресувальні пристрої та інструменти на наявність тріщин та інших ознак зношення.

Пресувальні пристрої та інструменти використовувати тільки в бездоганному технічному стані.

Пошкодження негайно усунути в авторизованій спеціальній майстерні.

Прилад можна використовувати тільки разом з лещатами.

При порушенні процесу обпресування негайно натисніть аварійний вимикач та відпустіть кнопку EIN (Увімкн.). Клапан відкривається, поршень пресується назад в вихідне положення.

Обов'язково виконувати технічне обслуговування відповідно до вказаних інтервалів.

Перед будь-якими роботами на приладі виняти змінну акумуляторну батарею.

ВКАЗІВКИ ЩОДО ЕКСПЛУАТАЦІЇ

Використовувати тільки пресувальні фітинги, які відповідають системі, а також розраховані на них лещата.

Вказівки з обробки та монтажу для фітингів та труб наведені в документації виробника системи.

Перевірте, чи відповідає номінальна ширина пресувального фітинга номінальній ширині лещат.

Після закінчення пресування звернути увагу на те, щоб лещата були повністю закритими.

Неправильне з'єднання труб необхідно знов обпресувати з новим фітингом.

Після закінчення монтажних робіт перевірте герметичність трубої системи за допомогою відповідних засобів контролю.

Пресувальний пристрій не призначений для тривалого режиму роботи. Через 30 хвилин безперервної роботи необхідно зробити коротку перерву не менше 15 хвилин, щоб прилад міг охолонути.

ВИКОРИСТАННЯ ЗА ПРИЗНАЧЕННЯМ

Пресувальні пристрої та лещата можна використовувати виключно для обтиснення труб та фітингів, для яких передбачені відповідні лещата.

Пресувальні пристрої призначені виключно для використання разом з лещатами, які визнані Milwaukee придатними після погодження з виробником систем.



АКУМУЛЯТОРНІ БАТАРЕЇ

Знімну акумуляторну батарею, що не використовувалася тривалий час, перед використанням необхідно підзарядити.

Температура понад 50 °C зменшує потужність знімної акумуляторної батареї. Уникати тривалого нагрівання сонячними променями або системою обігріву.

З'єднувальні контакти зарядного пристрою та знімної акумуляторної батареї повинні бути чистими.

Для забезпечення оптимального строку експлуатації акумуляторної батареї після використання необхідно повністю зарядити.

Для забезпечення максимально можливого терміну експлуатації акумуляторної батареї після зарядки необхідно виймати з зарядного пристрою.

При зберіганні акумуляторної батареї понад 30 днів: Зберігати акумуляторну батарею при температурі приблизно 27 °C в сухому місці. Зберігати акумуляторну батарею в стані зарядки приблизно 30-50%. Кожні 6 місяців заново заряджати акумуляторну батарею.

Відпрацьовані знімні акумуляторні батареї не можна кидати у вогонь або викидати з побутовими відходами. Milwaukee пропонує утилізацію старих знімних акумуляторних батарей, безпечну для довкілля; зверніться до свого дилера.

Не зберігати знімні акумуляторні батареї разом з металевими предметами (небезпека короткого замикання).

Знімні акумуляторні батареї системи M18 заряджати лише зарядними пристроями системи M18. Не заряджати акумуляторні батареї інших систем.

Не відкривати знімні акумуляторні батареї і зарядні пристрої та зберігати їх лише в сухих приміщеннях. Берегти від вологи.

При екстремальному навантаженні або при екстремальній температурі з пошкодженої знімної акумуляторної батареї може витікати електроліт. При потрапленні електроліту на шкіру його негайно необхідно змити водою з милом. При потрапленні в очі їх необхідно негайно ретельно промити, щонайменше 10 хвилин, та негайно звернутися до лікаря.

В гніздо зарядного пристрою, яке призначене для встановлення знімної акумуляторної батареї, не повинні потрапляти металеві деталі (небезпека короткого замикання).

ТРАНСПОРТУВАННЯ ЛІТІЙ-ІОННИХ АКУМУЛЯТОРНИХ БАТАРЕЙ

Літій-іонні акумуляторні батареї підпадають під законоположення про перевезення небезпечних вантажів.

Транспортування таких акумуляторних батарей повинно відбуватися із дотриманням місцевих, національних та міжнародних приписів та положень.

Споживачі можуть без проблем транспортувати ці акумуляторні батареї по вулиці.

Комерційне транспортування літій-іонних акумуляторних батарей експедиторськими компаніями підпадає під положення про транспортування небезпечних вантажів. Підготовку до відправлення та транспортування можуть здійснювати виключно особи, які пройшли відповідне навчання. Весь процес повинні контролювати кваліфіковані фахівці.

При транспортуванні акумуляторних батарей необхідно дотримуватись зазначених далі пунктів:

Переконайтеся в тому, що контакти захищені та ізольовані, щоб запобігти короткому замиканню. Слідкуйте за тим, щоб акумуляторна батарея не переміщувалася всередині упаковки.

Пошкоджені акумуляторні батареї, або акумуляторні батареї, що потекли, не можна транспортувати. Для отримання подальших вказівок звертайтеся до своєї експедиторської компанії.

ОБСЛУГОВУВАННЯ

Перевірити легкість ходу лещат та пресувальних роликів.

Після закінчення робіт почитити та змастити пресувальні ролики, фіксатор та лещата.

Роботи з технічного обслуговування та ремонту можуть виконувати тільки авторизовані спеціалізовані центри.

Прилад містить гідравлічну оливу, яка небезпечна для ґрунтових вод. Неконтрольоване зливання або неналежна утилізація карається.

На пресувальному пристрої вказаний термін наступного технічного обслуговування. Це технічне обслуговування має проводитися щонайменше кожні два роки або не пізніше, ніж показує індикатор-світлодіод.

Замінити зношені пресувальні інструменти.

Завжди підтримувати чистоту вентиляційних отворів.

Використовувати тільки комплектуючі та запчастини Milwaukee. Деталі, заміна яких не описується, замінювати тільки в відділі обслуговування клієнтів Milwaukee (зверніть увагу на брошуру „Гарантія / адреси сервісних центрів“).

У разі необхідності можна запросити креслення з зображенням вузлів машини в перспективному вигляді, для цього потрібно звернутися в ваш відділ обслуговування клієнтів або безпосередньо в Techtronic Industries GmbH, Max-Eyth-Straße 10, 71364 Winnenden, Німеччина, та вказати тип машини та шестизначний номер на фірмовій таблиці з даними машини.

СЕРТИФІКАТ ВІДПОВІДНОСТІ ВИМОГАМ ЄС

Ми заявляємо на власну відповідальність, що виріб, описаний в „Технічних даних“, відповідає всім застосовним положенням директиви

2011/65/EU (RoHS)

2006/42/EC

2014/30/EU

та наступним гармонізованим нормативним документам:

EN 60745-1:2009 + A11:2010

EN ISO 12100:2010

EN 55014-1:2017+A11:2020

EN 55014-2:2015

EN IEC 63000:2018



Winnenden, 2021-08-19

Alexander Krug / Managing Director

Уповноважений із складання технічної документації.

Techtronic Industries GmbH

Max-Eyth-Straße 10, 71364 Winnenden, Germany

Українська



СИМВОЛИ



Уважно прочитайте інструкцію з експлуатації перед введенням приладу в дію.



УВАГА! ПОПЕРЕДЖЕННЯ! НЕБЕЗПЕЧНО!



Перед будь-якими роботами на приладі вийняти змінну акумуляторну батарею.



ПОПЕРЕДЖЕННЯ!
Небезпека травмування при відлітанні частин матеріалу



Попередження! Небезпека затиснення



Комплектуючі - не входять в обсяг постачання, рекомендовані доповнення з програми комплектуючих.



Під час роботи з машиною завжди носити захисні окуляри.



Наклейка з інформацією про технічне обслуговування



Електричні прилади не можна утилізувати з побутовими відходами. Електричні та електронні прилади необхідно збирати окремо та здавати в спеціалізовані підприємства для утилізації, що не шкодить навколишньому середовищу. Зверніться до місцевих органів або до вашого дилера, щоб отримати адреси пунктів вторинної переробки та пунктів прийому.



Європейський знак відповідності



Британський знак відповідності



Український знак відповідності



Євразійський знак відповідності



إعلان المطابقة - الاتحاد الأوروبي

نعلن تحت مسؤوليتنا وحدنا أن المنتج المعين تحت اسم
"البيانات الفنية" يستوفي جميع الأحكام ذات الصلة ضمن
التوجيهات

2011/65/EU (Rohs)
2006/42/EG
2014/30/EU

والمعايير المتسقة التالية

EN 60745-1:2009 + A11:2010

EN ISO 12100:2010

EN 55014-1:2017+A11:2020

EN 55014-2:2015

EN IEC 63000:2018

2021-08-19, Winnenden



Alexander Krug

Alexander Krug / Managing Director

معمتمة للمطابقة مع الملف الفني

Techtronic Industries GmbH

Max-Eyth-Straße 10, 71364 Winnenden,

Germany

زومرلا

يرجى قراءة التعليمات بعناية قبل بدء تشغيل الجهاز.



تنبيه! تحذيرا! خطرا!



انزع البطارية قبل التعامل مع الجهاز.



تحذير!

خطر الإصابة من الشظايا المتطايرة



تحذير! خطر التحطم!



الملحق - ليس مدرجا كمعدة قياسية، متوفر كملحق.



ارتد دائما نظارات الوقاية عند استخدام الجهاز.



بطاقة الخدمة



يحظر التخلص من الأجهزة الكهربائية في القمامة
المنزلية. يجب جمع الأجهزة الكهربائية والإلكترونية
منفصلة وتسليمها للتخلص منها بشكل لا يضر بالبيئة
لدى شركة إعادة استغلال. الرجاء الاستفسار لدى الهيئات
المحلية ولدى التجار المتخصصين عن مواقع إعادة
الاستغلال ومواقع الجمع.



علامة التوافق الأوروبية



علامة التوافق البريطانية



علامة التوافق الأوكرانية



علامة التوافق الأوروبية الآسيوية



لا تقم أبدا بفتح قفل البطارية والشواحن ولا تخزينهم إلا في
غرف جافة. وحافظ عليها جاف طوال الوقت.

قد يتسرب حامض البطارية من البطاريات التالفة في ظروف
الحمل الزائد بدرجة كبيرة أو في درجات الحرارة الشديدة
في حالة ملامسة حامض البطارية اغسل يديك فوراً بالماء
والصابون. في حالة ملامسة السائل للعينين اشطفهما جيدا
لمدة 10 دقائق على الأقل واطلب العناية الطبية فوراً.
يجب تجنب دخول أى أجزاء معدنية فى قسم البطارية الخاصة
بالشاحن (خطر الماس الكهربائي).

نقل بطاريات الليثيوم

تخضع بطاريات الليثيوم أيون لشروط قوانين نقل السلع
الخطرة.

ويجب نقل هذه البطاريات وفقاً للأحكام والقوانين المحلية
والوطنية والدولية.

يمكن للمستخدم نقل البطاريات براً دون الخضوع لشروط
أخرى.

يخضع النقل التجاري لبطاريات الليثيوم أيون عن طريق
الغبر إلى قوانين نقل السلع الخطرة. يتعين أن يقوم أفراد
مدرّبون جيداً بالإعداد لعملية النقل والقيام بها بصحبة خبراء
مثلهم.

متى تُنقل البطاريات:

عند التأكد من حماية أطراف توصيل البطارية وعزلها تجنباً
لحدوث قصر بالدائرة. عند التأكد من حماية حزمة البطارية
من الحركة داخل صندوق التعبئة. يُرجى عدم نقل البطاريات
التي بها تشققات أو تسربات. يُرجى البحث مع شركة الشحن
عن نصيحة أخرى

الصيانة

تأكد من تحريك فك الكيس وأسطوانات الإدارة بحرية.

قم بتنظيف وزييت أسطوانات الإدارة والمسامير وفكوك الكيس
عند الانتهاء من العمل.

قد يقوم بالخدمة وأعمال التصليح ورش عمل مخصصة
ومعتمدة فقط.

تحتوي الآلة على سائل هيدروليكي. تُشكل السوائل
الهيدروليكية خطورة على المياه الجوفية. ويعاقب القانون
على التصريف غير المرأب أو التخلص غير الملائم من
النفايات.

يُشار إلى موعد انتهاء الخدمة التالي على آلة الكيس. يجب
القيام بتشغيل هذه الخدمة على الأقل كل عامين أو عندما
تشير شاشة العرض LED إلى أن الخدمة ضرورية.

استبدل أدوات الكيس البالية.

يجب أن تكون فتحات تهوية الجهاز نظيفة طوال الوقت.

استخدم فقط ملحقات ميلوكي وكذلك قطع غيار ميلوكي.

إذا كانت المكونات التي يجب تغييرها غير مذكورة، يرجى
الاتصال بأحد عملاء صيانة ميلوكي (انظر قائمة عناوين
الضمان/الصيانة الخاصة بنا).

عند الحاجة يمكن طلب رمز انفجار الجهاز بعد ذكر طراز
الآلة والرقم السداسي المذكور على بطاقة طاقة الآلة لدى جهة
خدمة العملاء أو مياشرة لدى شركة

Techtronic Industries GmbH

Max-Eyth-Straße 10

Winnenden 71364

ألمانيا

يحظر الإمساك برافعات الفك بيدك خلال تشغيل عملية الكبس. ويستخدم موظفون مدربون فقط أدوات وآلات الكبس. افحص أدوات والآت الكبس بحثاً عن شقوق أو علامات أخرى للبلبي قبل كل استخدام. لا تستخدم إلا الآت وأدوات كبس بحالة فنية جيدة. يجب إصلاح الأجزاء التالفة فوراً من خلال ورشة عمل معتمدة. يمكن استخدام الآلة فقط مع فك كبس مدمج فيها. في حالة حدوث مشكلات خلال عملية الكبس، اضغط على زر إيقاف في الطوارئ على الفور وحرر مفتاح التشغيل. حيث سيُفتح الصمام ويعود المكبس إلى وضعه الأولي. يُعد الامتثال لعمل خدمة محدد وفترات الخدمة أمراً لازماً. انزع البطارية قبل التعامل مع الجهاز.

نصائح العمل

استخدم فقط تركيبات الكبس المتوافقة مع النظام وفكوك الكبس المصممة لها. راجع الوثائق المقدمة من قبل جهة توريد النظام بشأن تعليمات المناولة والتجميع لمعرفة ما يخص التركيبات والأنابيب. تأكد مما إذا كان العرض الاسمي الخاص لأجزاء الكبس متوافقاً مع العرض الاسمي لفكوك الكبس. تأكد من إغلاق فك الكبس كلياً عند الانتهاء من الكبس. يتعين ضغط وصلات الأنابيب غير الملائمة مرة أخرى باستخدام قطع جديدة. بعد الانتهاء من العمل، افحص التركيب باستخدام معدات الاختبار الملائمة وتأكد من أنه مانع للتسرب! وضع التشغيل المستمر لا يناسب آلة الكبس. التشغيل المستمر لمدة 30 دقيقة يجب أن يتبعه مدة استراحة قصيرة تبلغ 15 دقيقة على الأقل ليبرد الجهاز.

شروط الاستخدام المحددة

حيث يُسمح كلٌ من الآلات وفكوك الكبس فقط لتُستخدم في عمليات تركيب الأنابيب بالضغط وفي عمليات التركيب الالزام فيها استخدام فكوك الكبس. تُستخدم آلات الكبس فقط مع فكوك الكبس المعتمدة من ميلووكي بالاتفاق مع جهة توريد النظام.

البطاريات

يجب إعادة شحن البطارية غير المستخدمة لفترة قبل الاستخدام. تقل درجات الحرارة التي تتجاوز 50° سيلزيوس (122° فهرنهايت) من أداء البطارية. تجنب التعرض الزائد للحرارة أو أشعة الشمس (خطر التسخين).. يجب الحفاظ على محتويات الشواحن و البطاريات نظيفة. للحصول على فترة استخدام مثالية، يجب شحن البطاريات تماماً، بعد الاستخدام. للحصول على أطول عمر ممكن للبطارية، انزع البطارية من الشاحن بمجرد شحنها تماماً. لتخزين البطارية أكثر من 30 يوم: خزن البطارية بحيث تكون درجة الحرارة أقل من 27° سيلزيوس وبعيدا عن أي رطوبة خزن البطارية مشحونة بنسبة تتراوح بين 30-50 % اشحن البطارية كالمعتاد، وذلك كل ستة أشهر من التخزين. لا تتخلص من البطاريات المستعملة مع النفايات المنزلية أو بحرقها. يقدم موزع ميلووكي خدمة استعادة البطاريات القديمة لحماية البيئة. لا تقم بتخزين البطارية مع الأشياء المعدنية (خطر قصر الدارة).. استخدم فقط شواحن System M18 لشحن بطاريات System M18. لا تستخدم بطاريات من أنظمة أخرى.

البيانات الفنية آلة الكبس	M18 BLHPT
إنتاج عدد	4524 10 03 000001-999999
فولطية البطارية	18 V
استهلاك الطاقة	450 W
القوة الاسمية	32 kN
مجموعة الضغط: البلابستكات & أنابيب مركبة Ø المعادن إلى غاية	63 mm (110 mm) 54 mm (108 mm) وفقاً للنظام
الوزن وفقاً لنهج EPTA رقم 01/2014 (Li-Ion 2,0 Ah)	2,9 kg
الوزن M18 BLHPT / Li-Ion 2.0 Ah / (J18-Th14)	4,7 kg
معلومات الضوضاء القيم التي تم قياسها محددة وفقاً للمعايير الأوروبية EN 60 745 مستوى ضوضاء الجهاز، ترتيب أ بشكل نمونجي التالي: مستوى ضغط الصوت (الترتيب في القياس) = 76,5 dB (A) 3 ديسيبل (Δ) مستوى شدة الصوت (الترتيب في القياس) = 87,5 dB (A) 3 ديسيبل (Δ) ارتد وأقيات الأذن!	
معلومات الاهتزاز قيم الذبذبات الإجمالي (مجموع الكميات الموجهة في المحاور الثلاثة) محددة وفقاً للمعايير الأوروبية EN 60745. قيمة انبعاث الذبذبات a _h الإرتياب في القياس	<2,5 m/s ² 1,5 m/s ²

تحذير!

تم قياس مستوى انبعاث الذبذبات الموجود بوثيقة المعلومات هذه وفقاً للاختبار القياسي وفقاً للمعايير الأوروبية EN 60745 ويمكن استخدامه لمقارنة جهاز بغيره. كما يمكن استخدامه لعرض تقييم تمهيدي. يمثل مستوى انبعاث الذبذبات المعلن عنه تطبيقات الجهاز الرئيسية. بالرغم من ذلك، فإنه إذا ما تم استخدام الجهاز لتطبيقات مختلفة، وملحقات مختلفة أو لم يتم المحافظة عليه، فقد يختلف انبعاث الذبذبات. قد يزيد ذلك بصورة كبيرة من مستوى التعرض للذبذبات طوال فترة العمل الإجمالية. يجب الوضع في الاعتبار عند تقدير مستوى التعرض للذبذبات مرات إيقاف الجهاز أو تشغيله لكن دون استخدامه في القيام بمهمة. فقد يقل ذلك بصورة كبيرة من مستوى التعرض للذبذبات طوال فترة العمل الإجمالية. تعرف على معايير السلامة الإضافية لحماية المشغل من آثار الذبذبات مثل: صيانة الجهاز والملحقات، الحفاظ على تدف الأيدي، وتنظيم نماذج العمل.

⚠ تحذير! اقرأ جميع تحذيرات السلامة وجميع التعليمات، بما فيها. قد يؤدي الفشل في مراعاة التحذيرات والتعليمات إلى التعرض للإصابة بصدمة كهربائية أو الحرق و/أو إصابة خطيرة. **احفظ جميع التنبيهات والتعليمات للرجوع إليها مستقبلاً.**

⚠ اضغط انذار السلامة الخاص بالجهاز

استخدم معدة الوقاية. ارتد دائماً نظارة الوقاية عند العمل بالآلة. ينصح باستخدام الملابس الواقية مثل الكمامات، الواقية من الغبار، والقفازات، والأحذية القوية غير المنزلقة، والخوذات، وواقيات الأذن. لا تقم أصابعك أو غيرها من أجزاء جسديك في منطقة عمل الأسطوانة أو فكوك الكبس.



Ara

Copyright 2021
Techtronic Industries GmbH
Max-Eyth-Straße 10
71364 Winnenden
Germany
+49 (0) 7195-12-0
www.milwaukeeetool.eu

Techtronic Industries (UK) Ltd
Fieldhouse Lane
Marlow Bucks SL7 1HZ
UK



**EAC UK
CA**

(08.21)

4931 4258 54